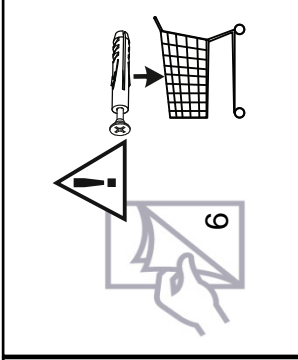
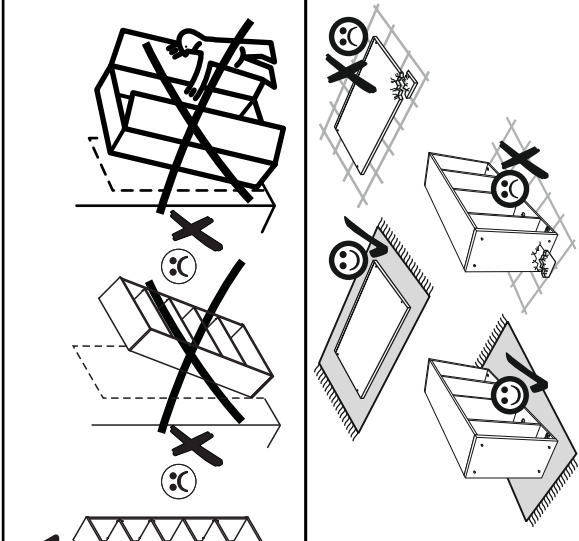
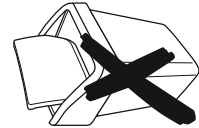
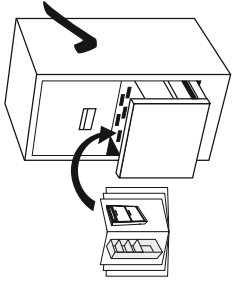
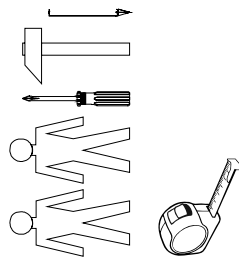
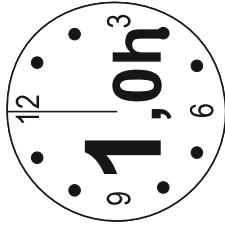
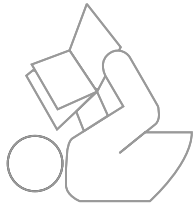
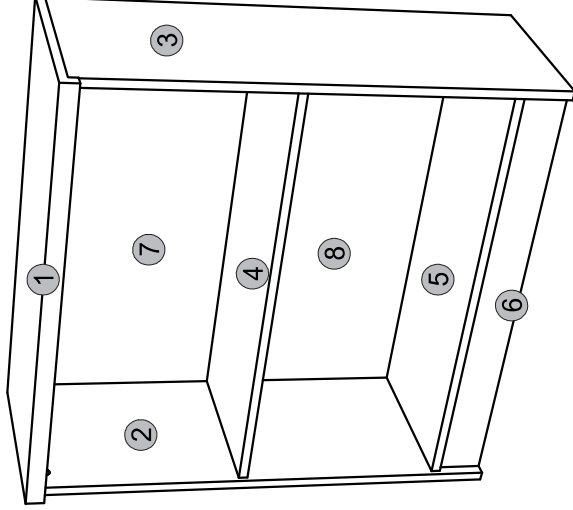
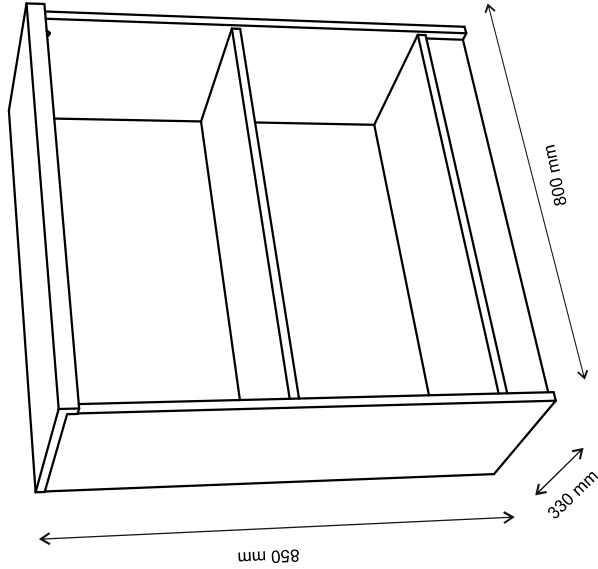
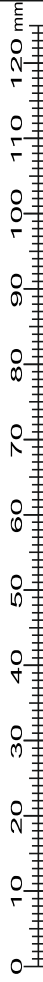
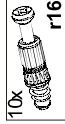
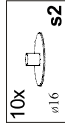
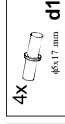
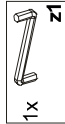
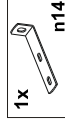
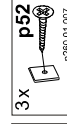
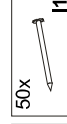


Instalation manual

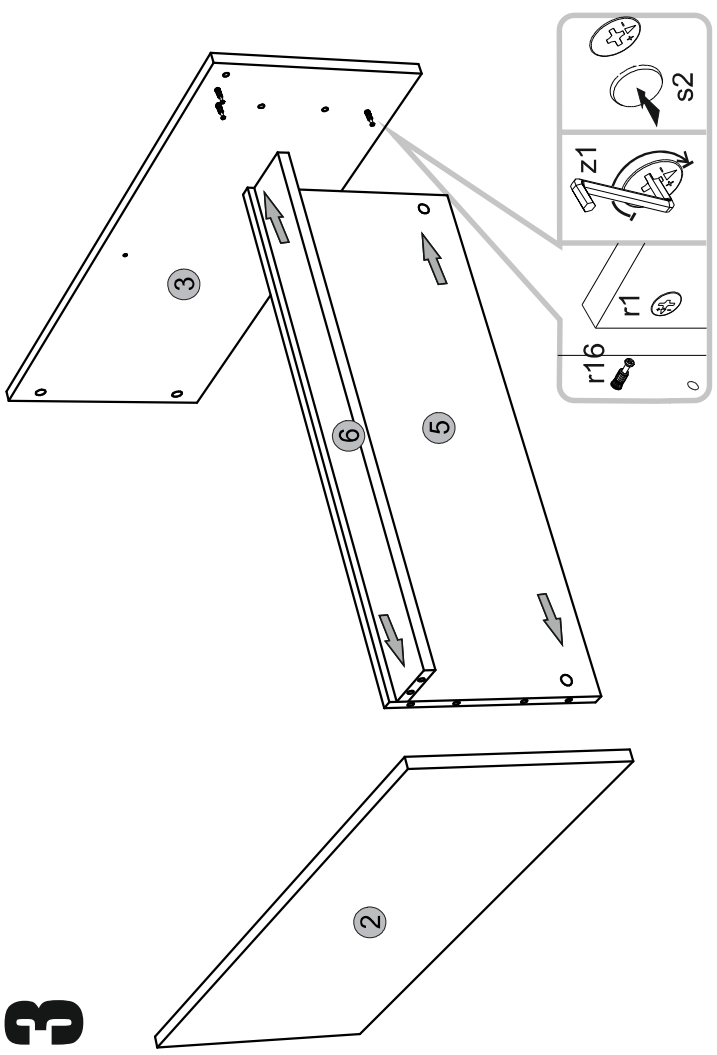
TOP-MIX: REG_OTW_80



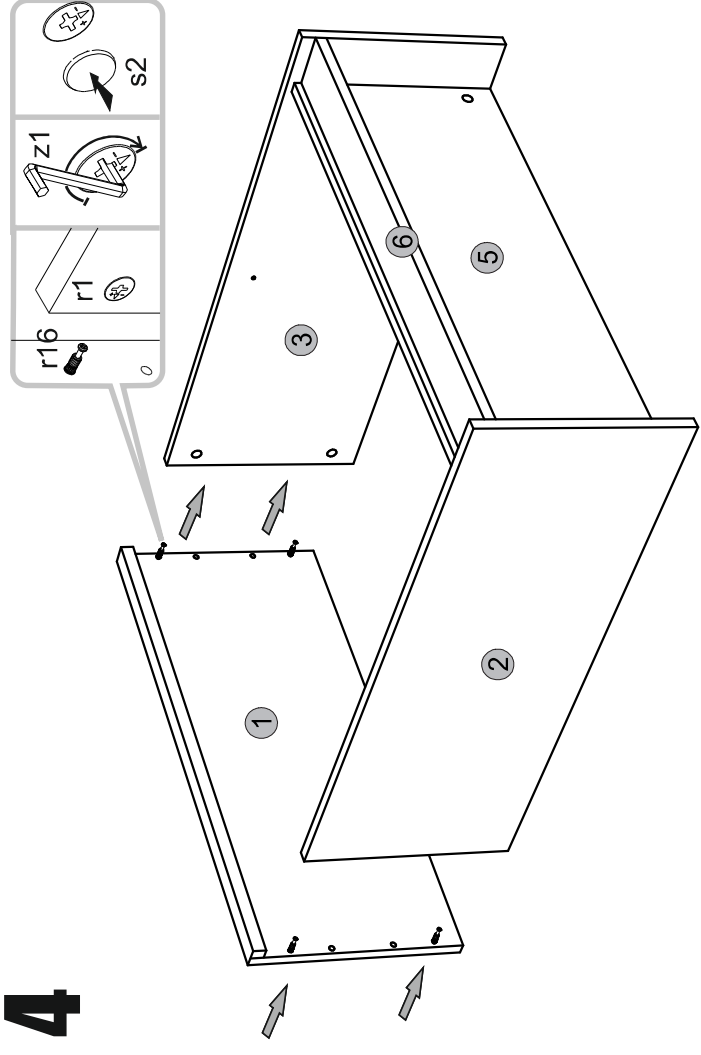
| Element symbol | Dimensions | Code | Package |
|----------------|---------------|-------|---------|
| 1 | 800 330 16/32 | T-206 | 1/1 |
| 2 | 829 310 16 | T-107 | 1/1 |
| 3 | 829 310 16 | T-108 | 1/1 |
| 4 | 766 300 16 | T-311 | 1/1 |
| 5 | 766 300 16 | T-312 | 1/1 |
| 6 | 766 80 16 | T-405 | 1/1 |
| 7 | 386 790 3 | T-605 | 1/1 |
| 8 | 375 790 3 | T-606 | 1/1 |



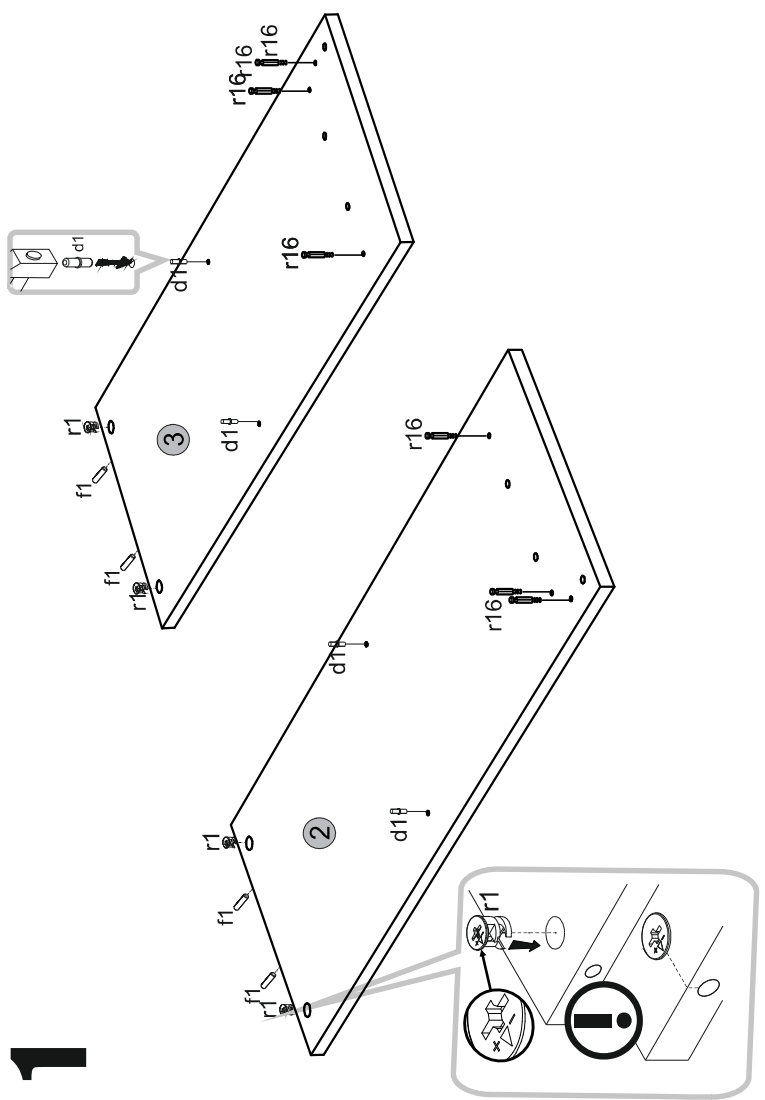
3



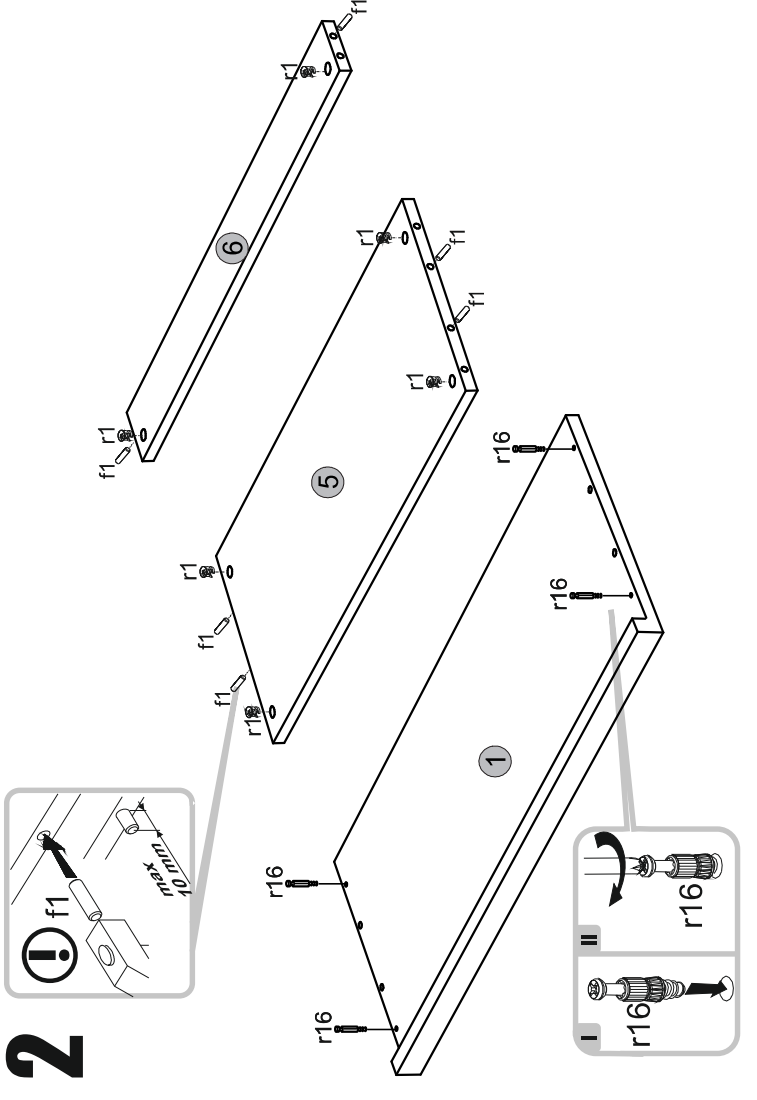
4



1

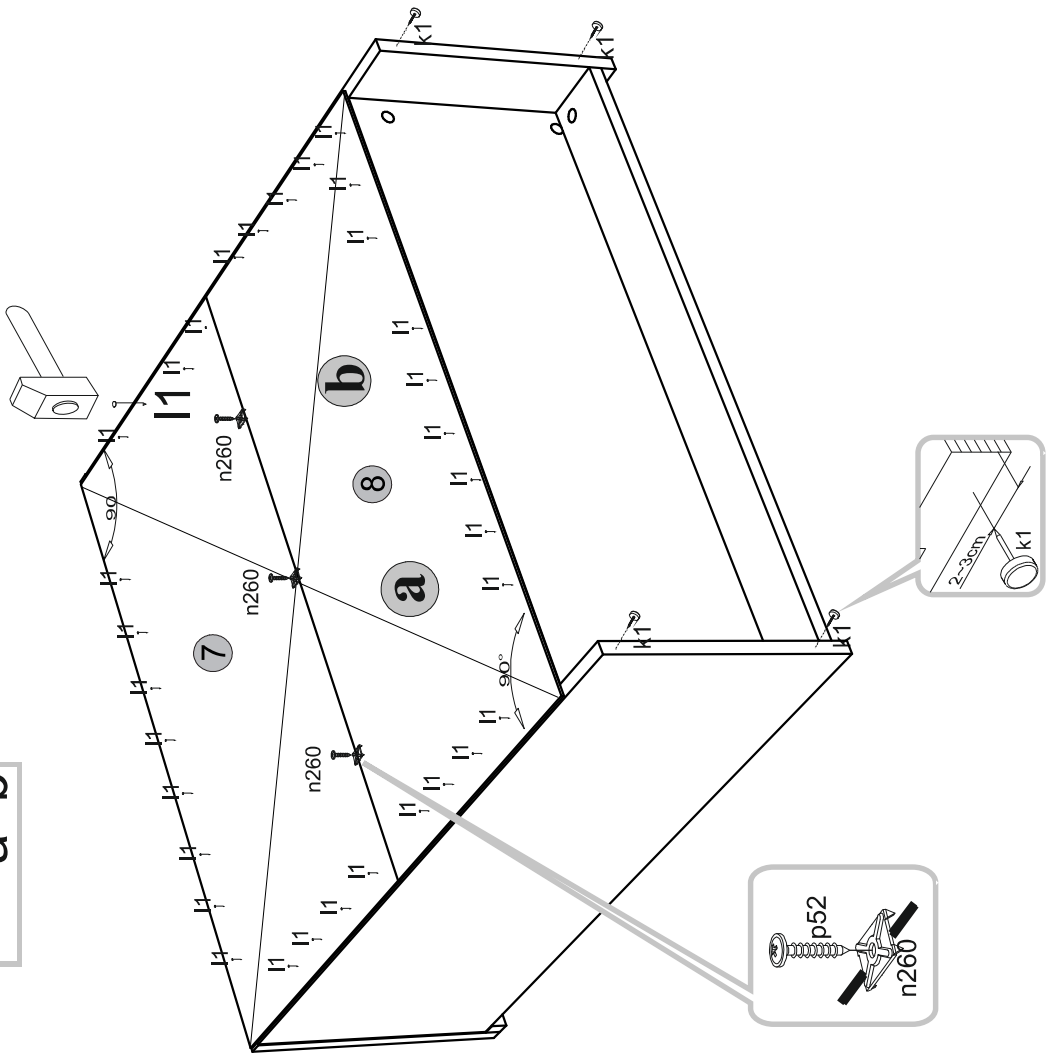


2



5

! a=b



6

