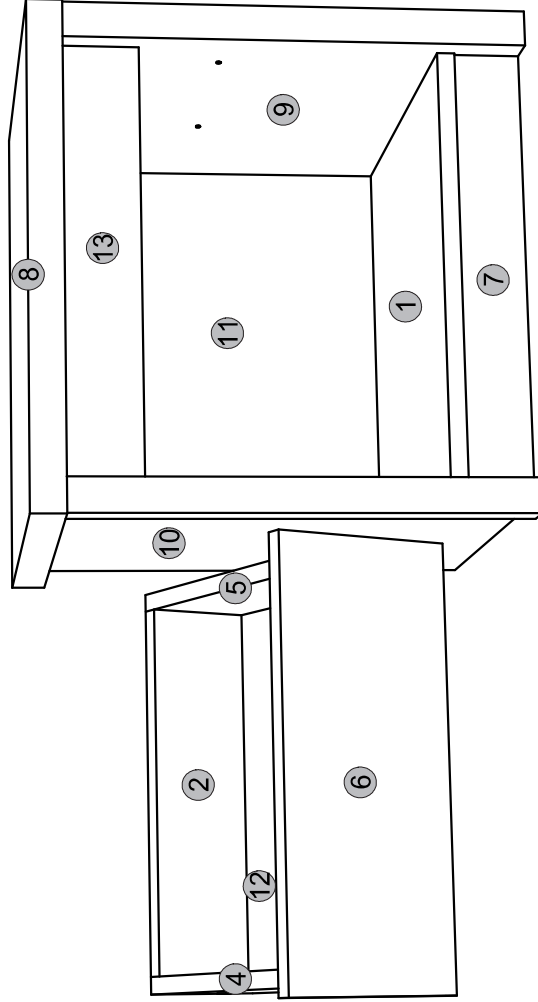
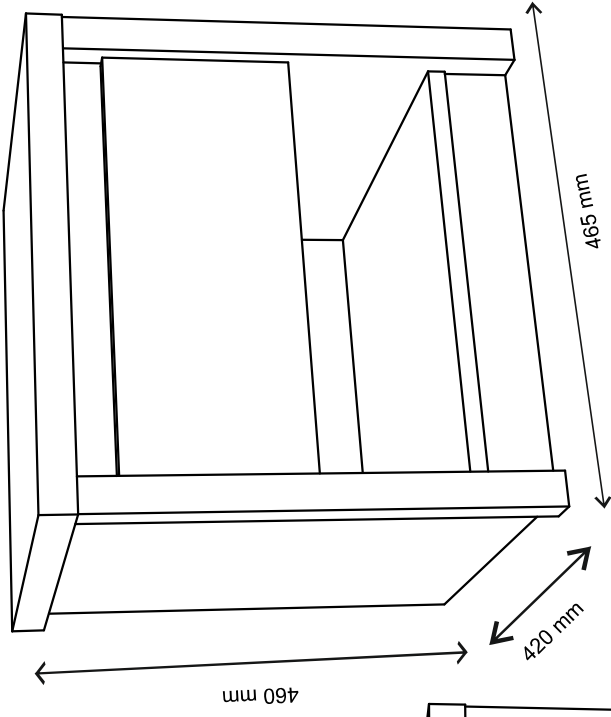
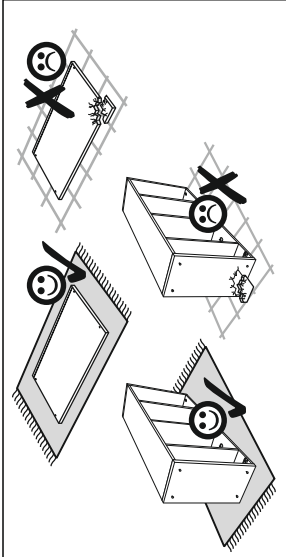
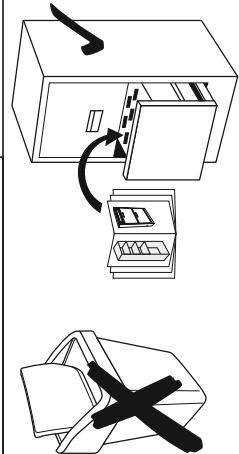
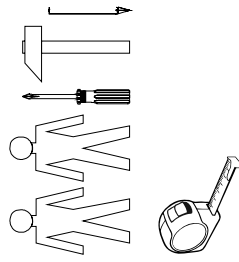
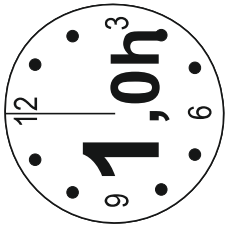
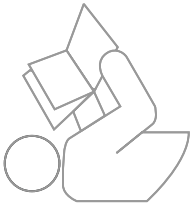


Instalation manual

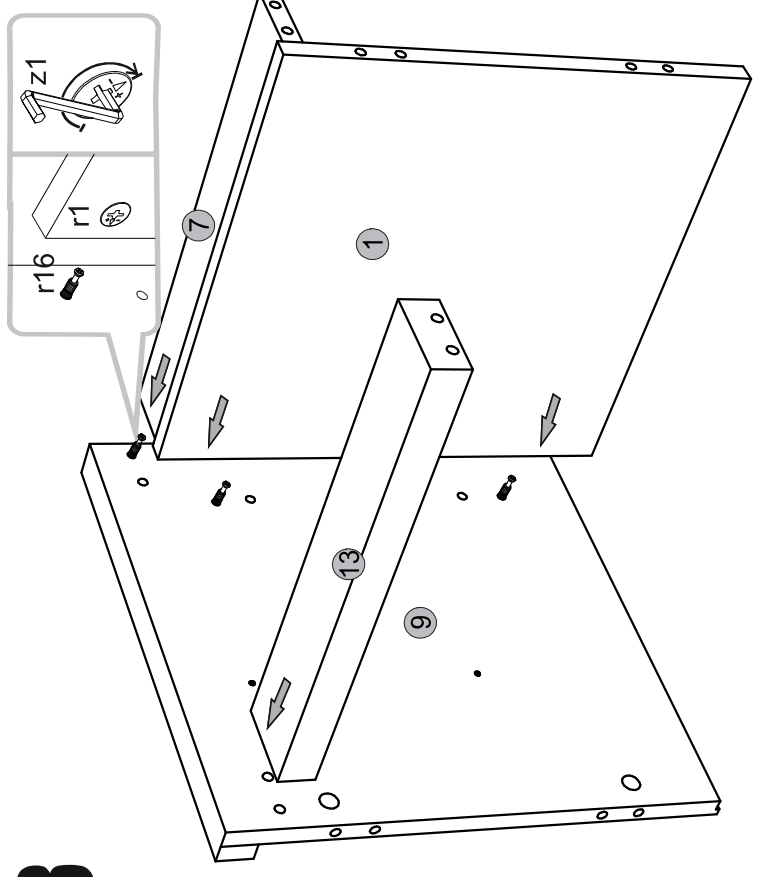
NORTON: SZFK_NOC_1S



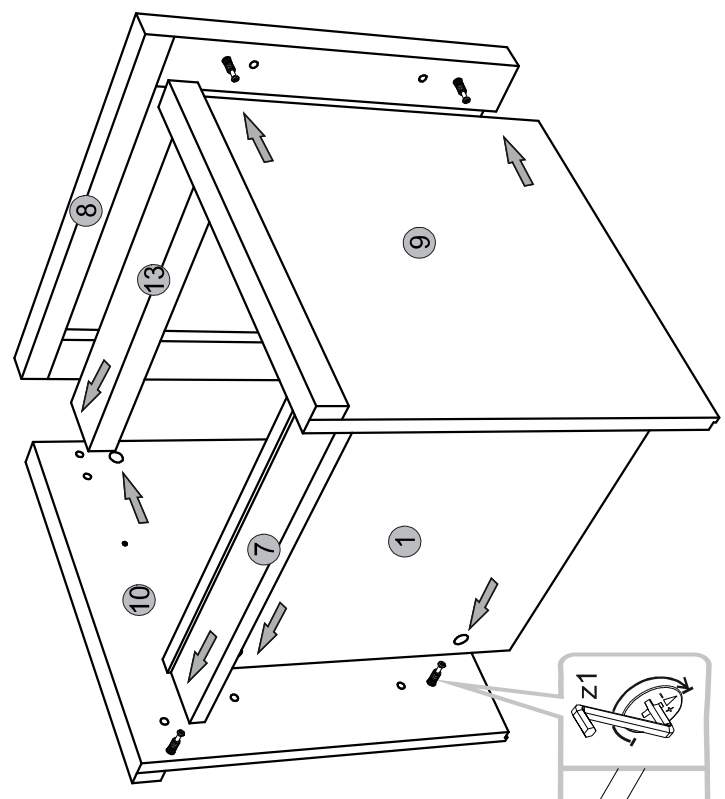
Element symbol	Dimensions			Code	Package
	398	16	1		
1	398	16	1	NS-301	1/1
2	341	16	1	NS-501	1/1
3	341	16	1	NS-502	1/1
4	300	16	1	NS-503	1/1
5	300	16	1	NS-504	1/1
6	170	392	16	NS-001	1/1
7	60	398	16	NS-401	1/1
8	464	420	16/32	NS-201	1/1
9	418	418	16/32	NS-105	1/1
10	418	418	16/32	NS-106	1/1
11	383	416	3	NS-601	1/1
12	355	282	3	NS-602	1/1
13	70	398	30	NS-402	1/1

18x	12x	2x	30x	4x
18x30 mm	12x 4x31.6 mm	2x 4x30 mm	30x 4x30 mm	4x
f1	p25	p21	l1	k1
1x	4x	1x	10x	10x
z1	4x30 mm	1x 4x30 mm	10x 4x30 mm	10x 4x30 mm
	e1	L-30mm	r1	r16

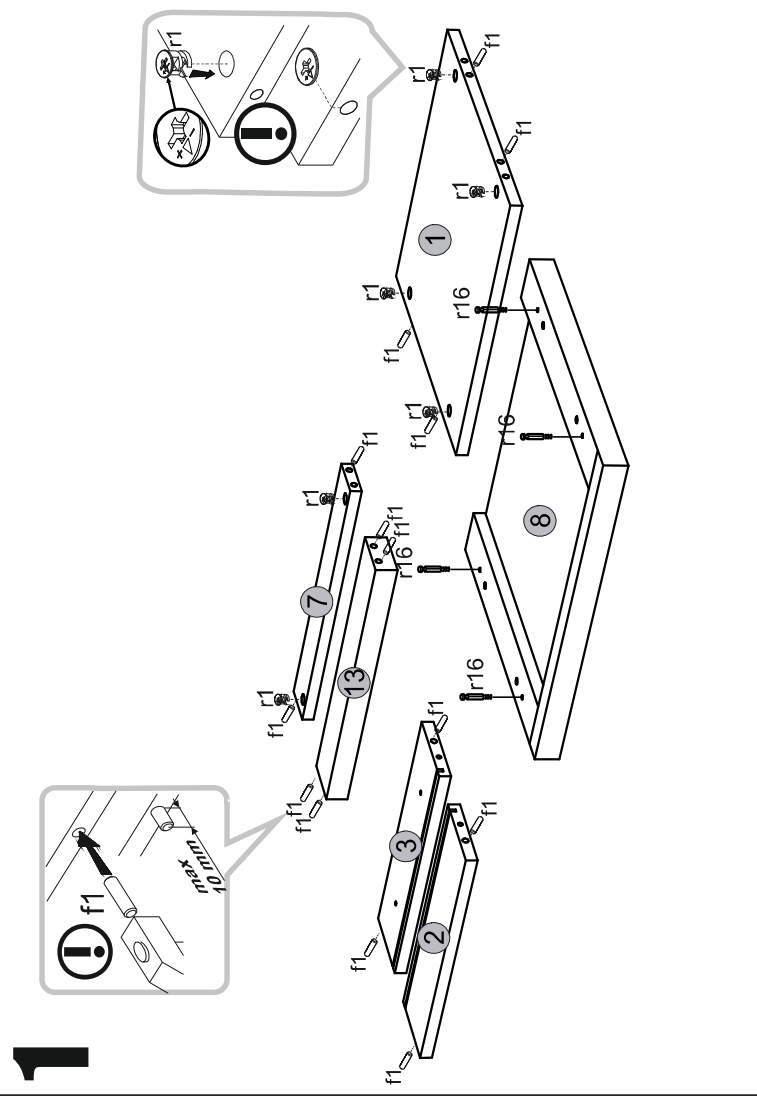




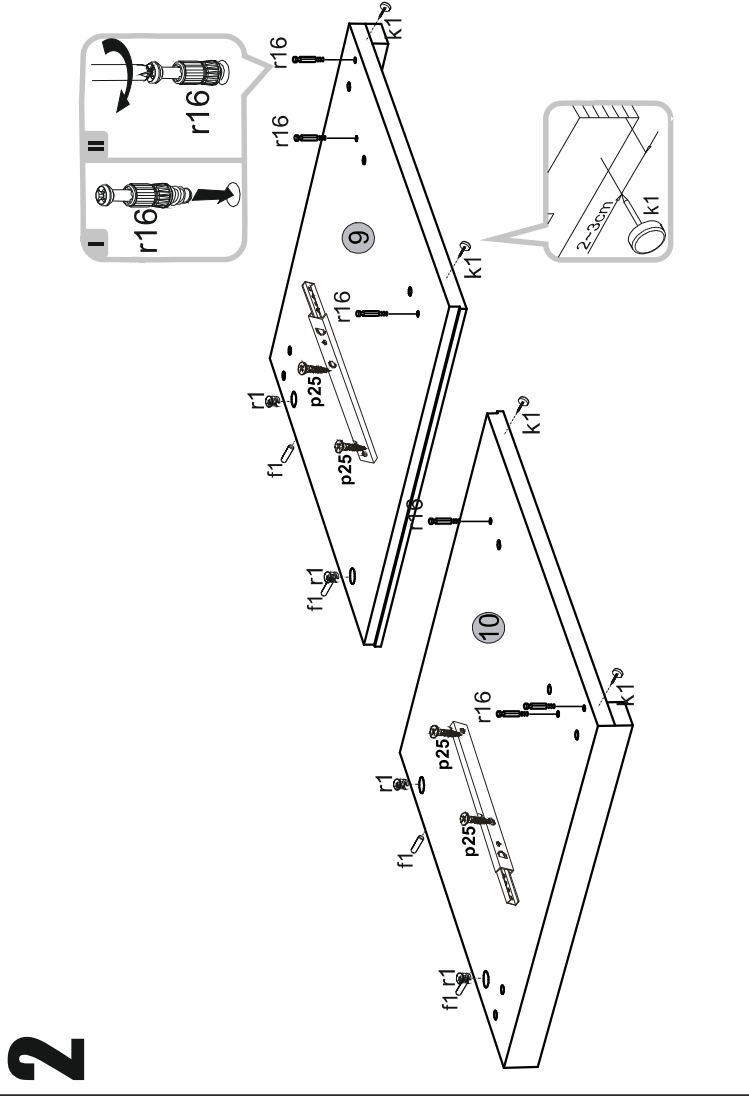
3



4



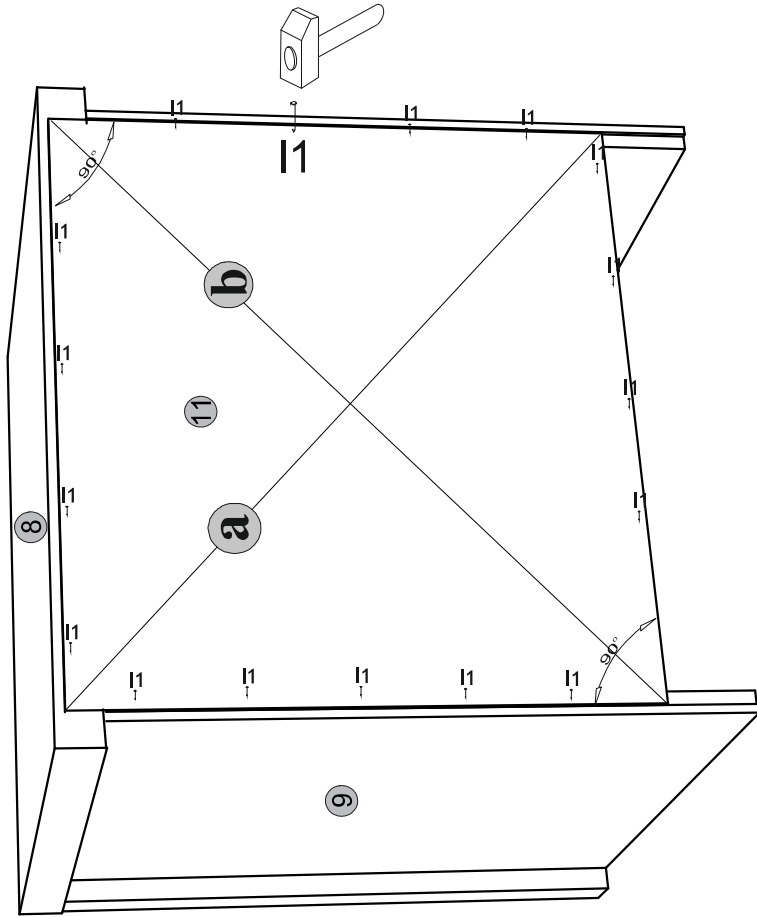
1



2

5

! a=b



6

