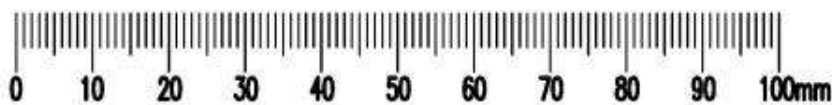
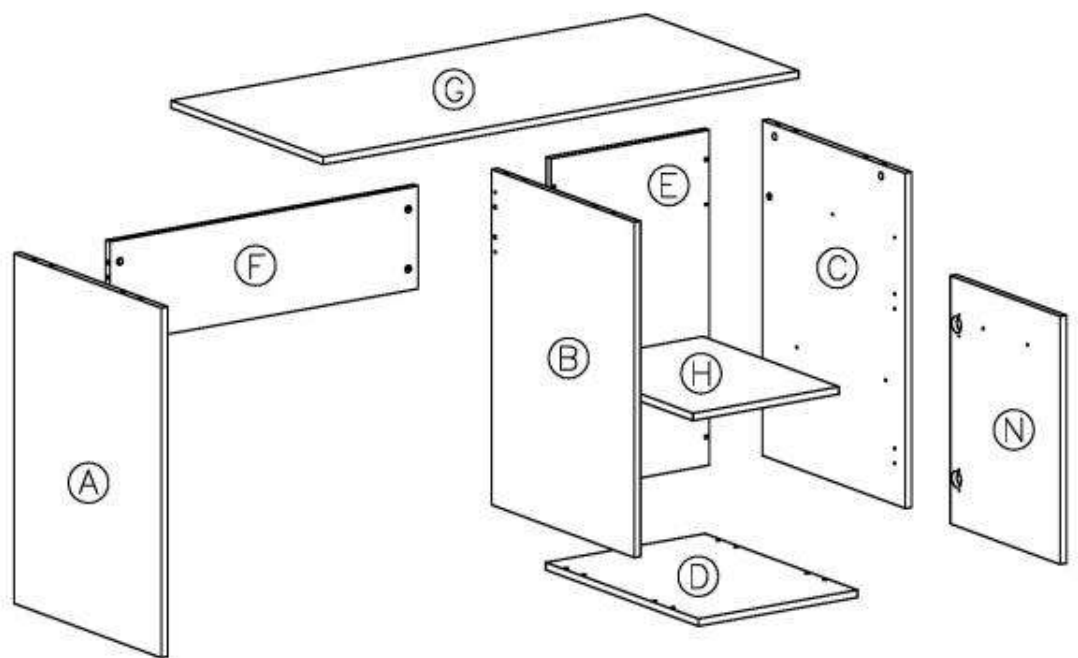
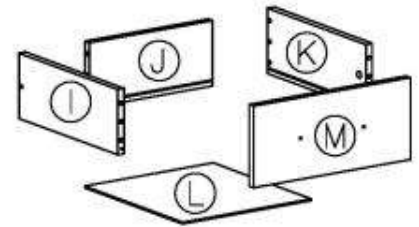
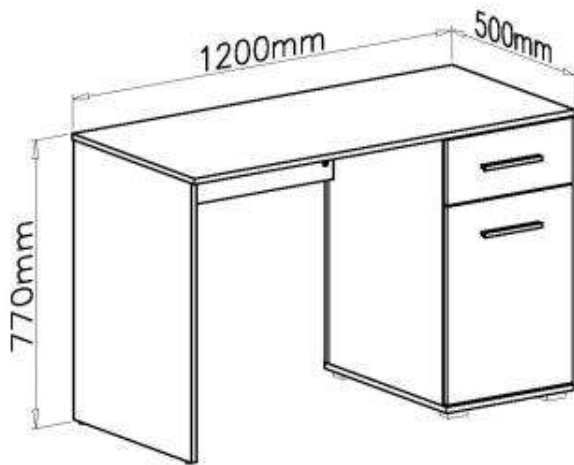





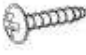





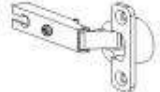


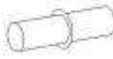








# LIMA B-1

HALMAR Sp. z o.o.

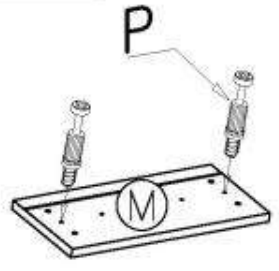
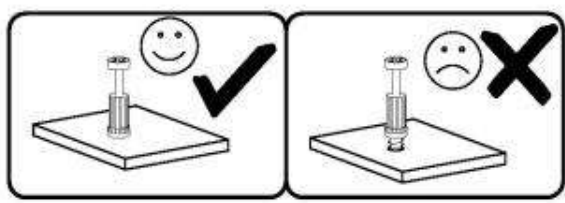
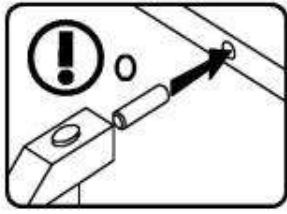
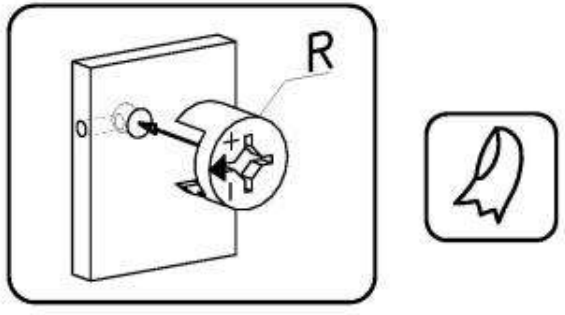
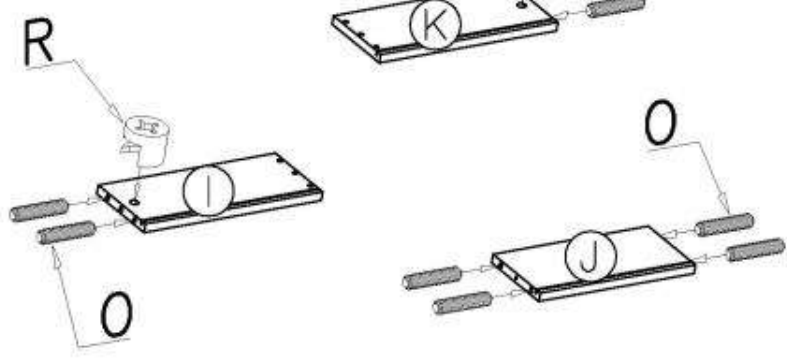
ul. Centralnego Okręgu Przemysłowego 2, 37-450 Stalowa Wola, POLSKA / POLAND  
tel. +48 15 843 28 10, fax: +48 15 842 19 57, e-mail: office@halmar.com.pl




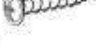
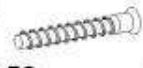
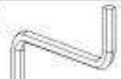
<b>O</b>  $\varnothing 8 \times 30$ 26x		<b>P</b>  16x	
<b>R</b>  $\varnothing 15 \times 12$ 16x		<b>S</b>  4x30 4x	
<b>T</b>  4x20 8x		<b>U</b>  3x16 4x	
<b>W</b>  6x13 4x		<b>Z1</b>  $\varnothing 7 \times 50$ 6x	
<b>Z2</b>  1x		<b>Z3</b>  160mm 2x	
<b>Z4+Z5</b>  2x		<b>Z6</b>  2x	
<b>Z7</b>  3,5x16 4x		<b>Z8</b>  4x	
<b>Z9</b>  4x		<b>Z10</b>  1x	
<b>Z11</b>  2x		<b>Z12</b>  $\varnothing 16$ 16x	
<b>Z13</b>  $\varnothing 16$ 16x		<b>Z14</b>  $\varnothing 12$ 6x	
<b>Z15</b>  $\varnothing 12$ 6x			

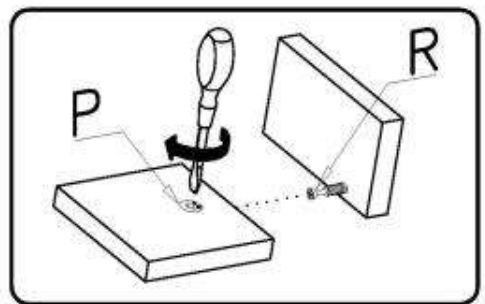
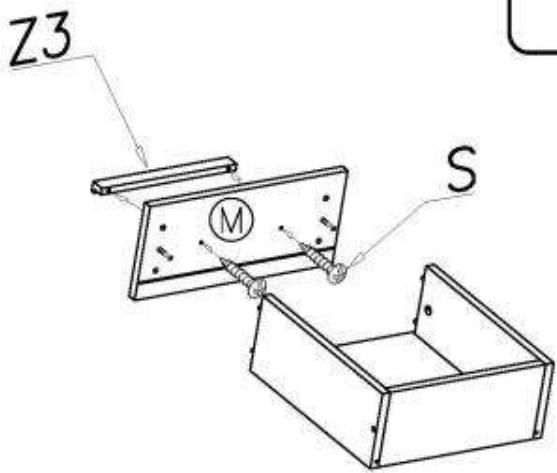
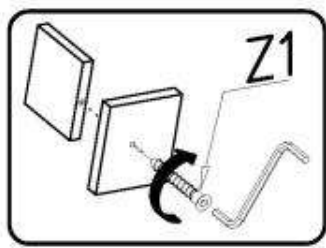
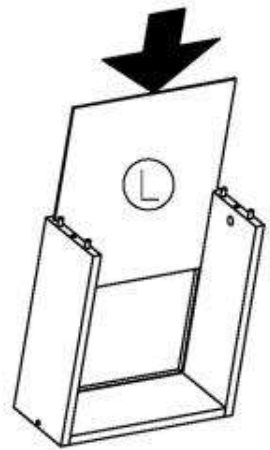
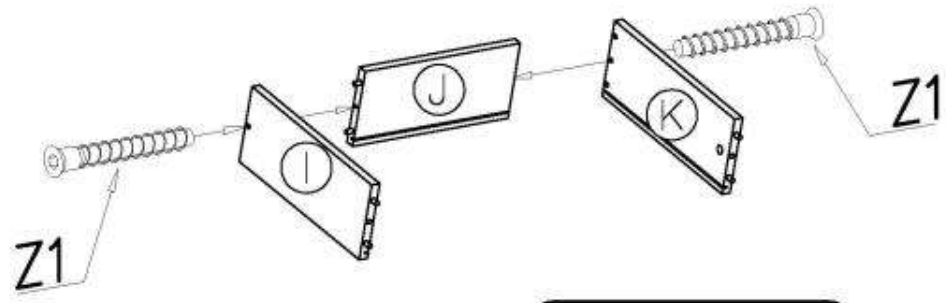
# 1

<b>P</b>  2x	<b>R</b>  #15x12 2x	<b>O</b>  #8x30 8x
---	--	---



# 2

<b>Z3</b>  160mm 1x	<b>S</b>  4x30 2x	<b>Z1</b>  #7x50 2x	<b>Z2</b>  1x
--	---	--	---



# 3

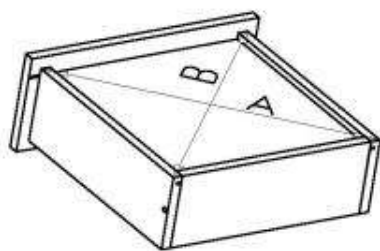
U  
3x16

4x  
350mm

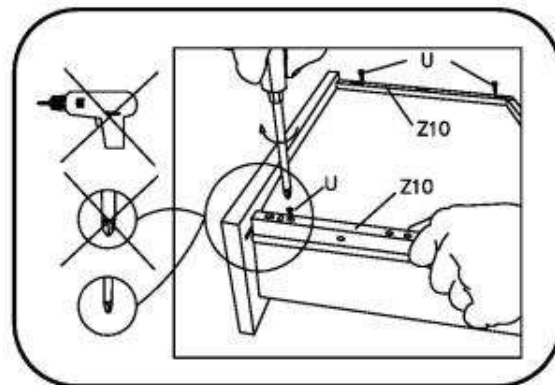
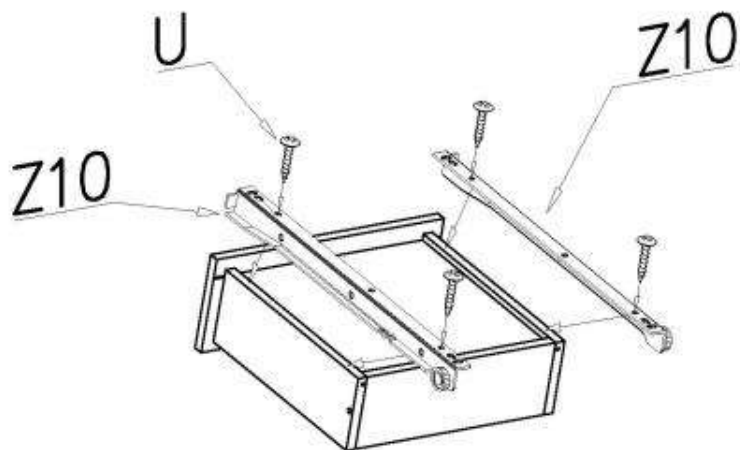
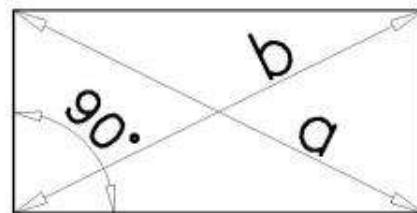
Z10



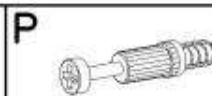
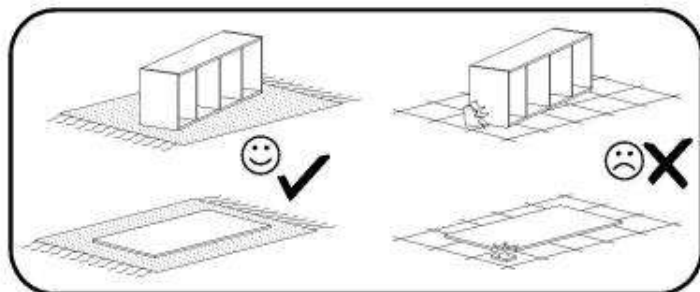
1x



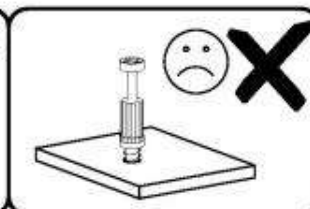
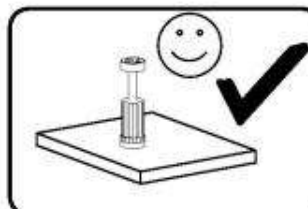
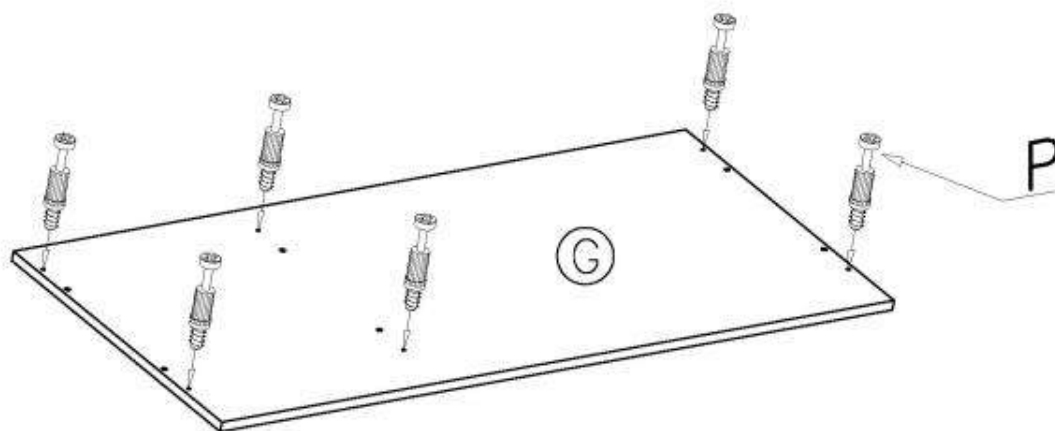
a=b



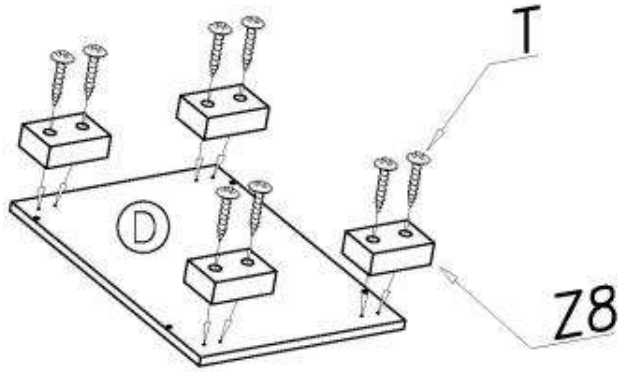
# 4



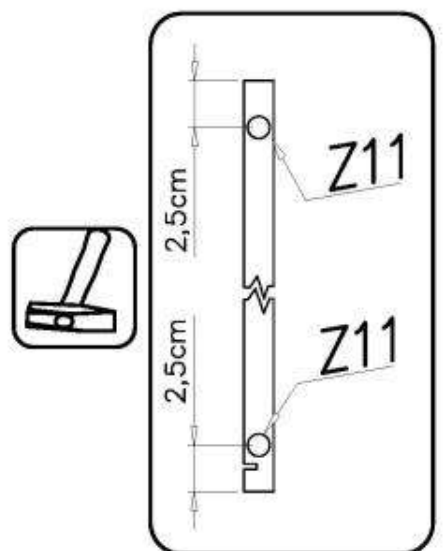
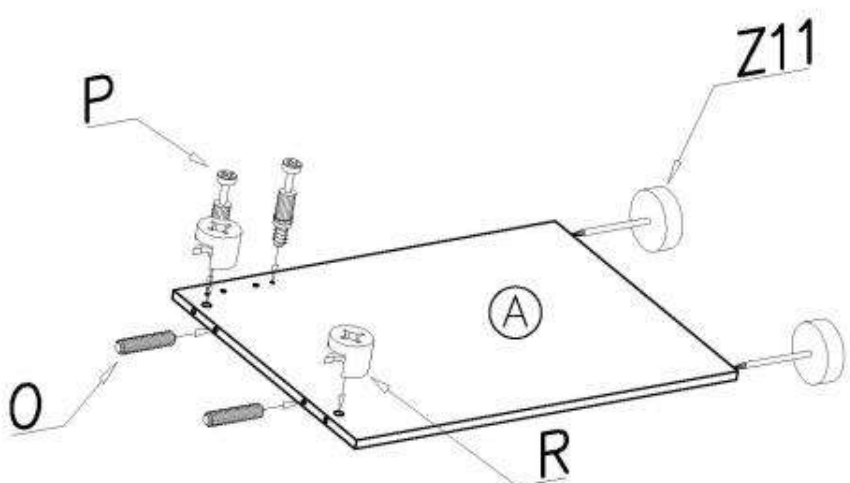
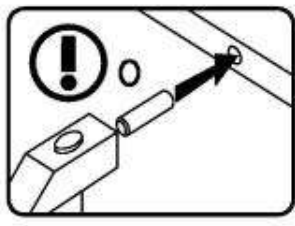
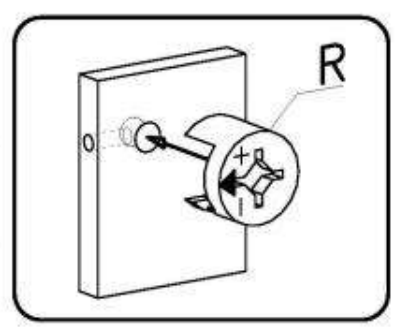
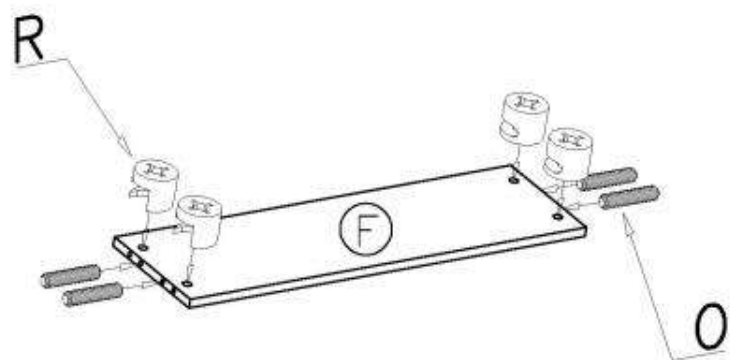
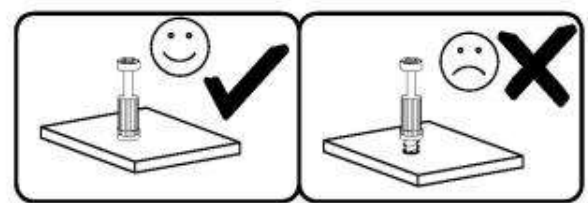
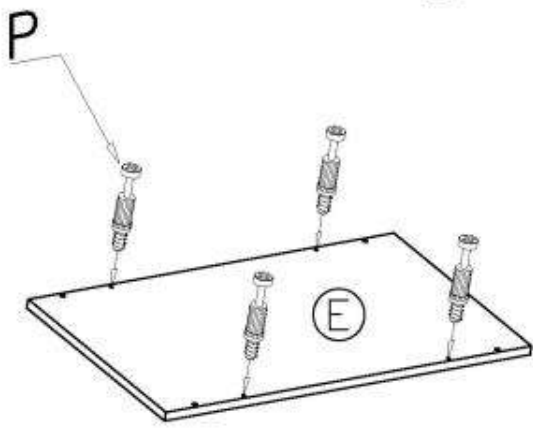
6x



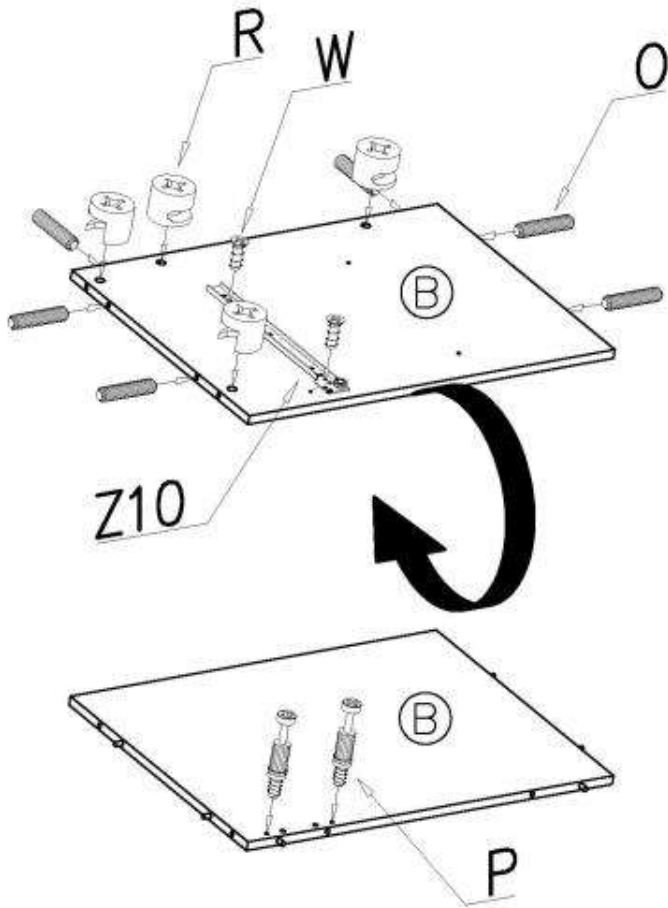
# 5



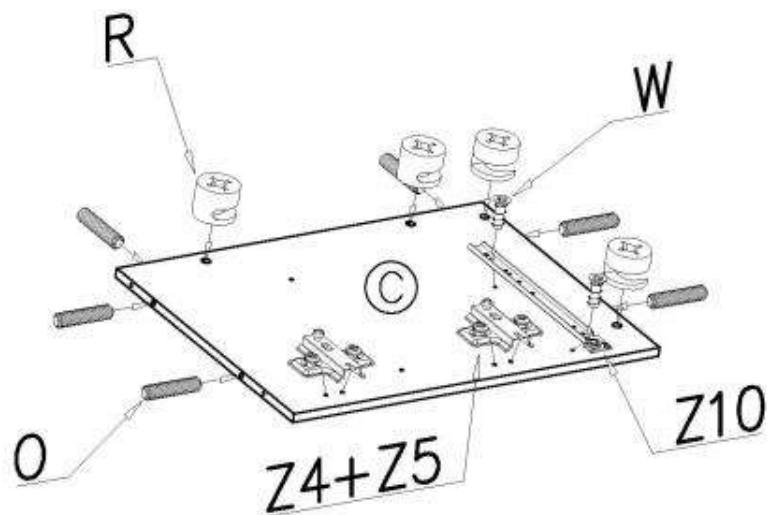
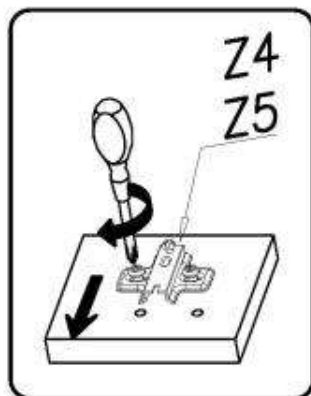
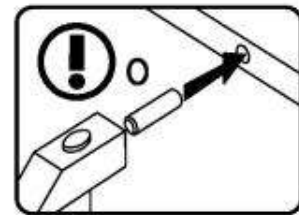
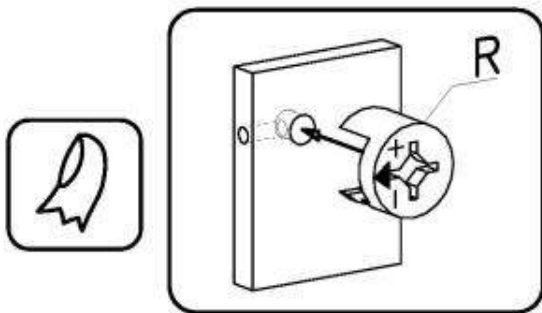
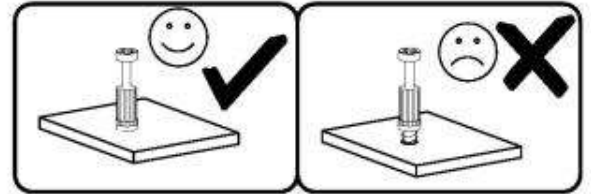
R		O	
Ø15x12	6x	Ø8x30	6x
P		T	
	6x	4x20	8x
Z11		Z8	
	2x		4x



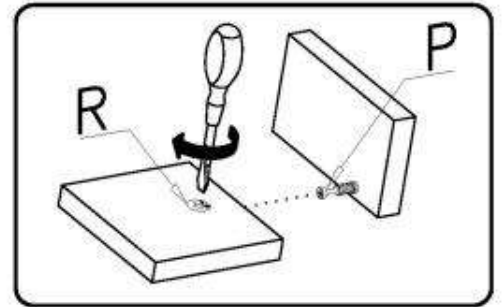
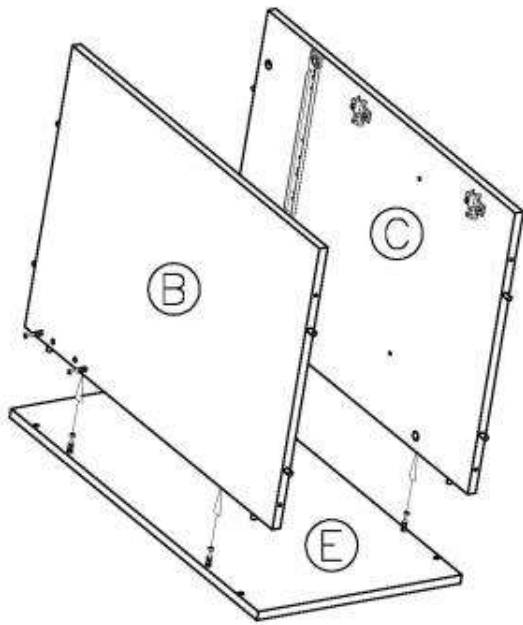
# 6



R		O	
Ø15x12	8x	Ø8x30	12x
P		W	
	2x	6x13	4x
Z10			
			1x
		Z4+Z5	
			2x

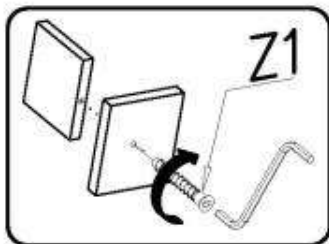
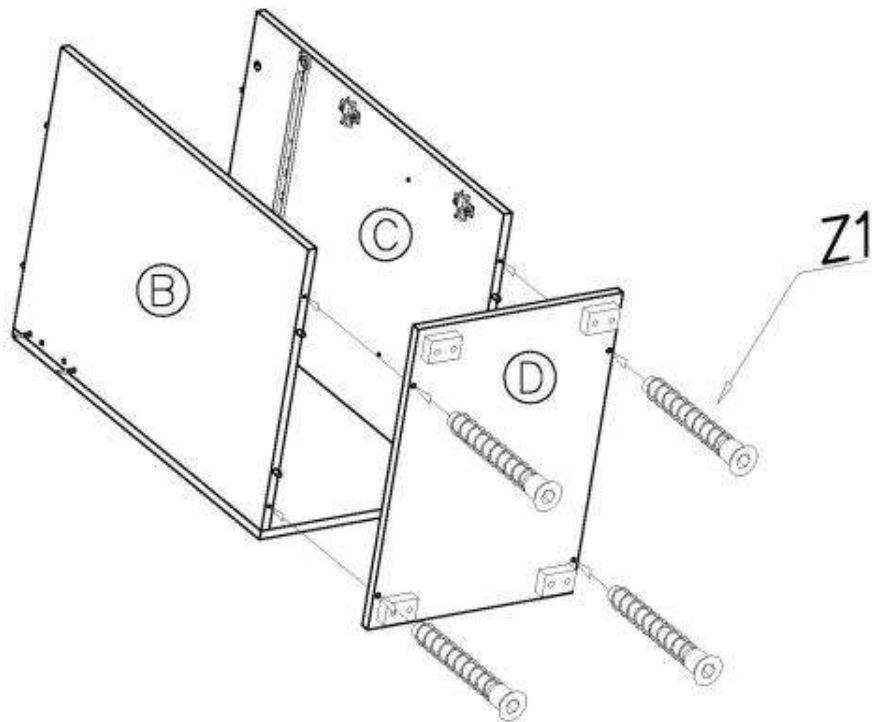


7

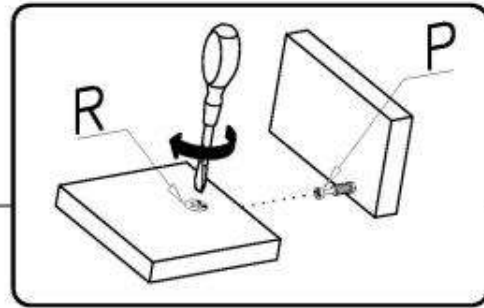
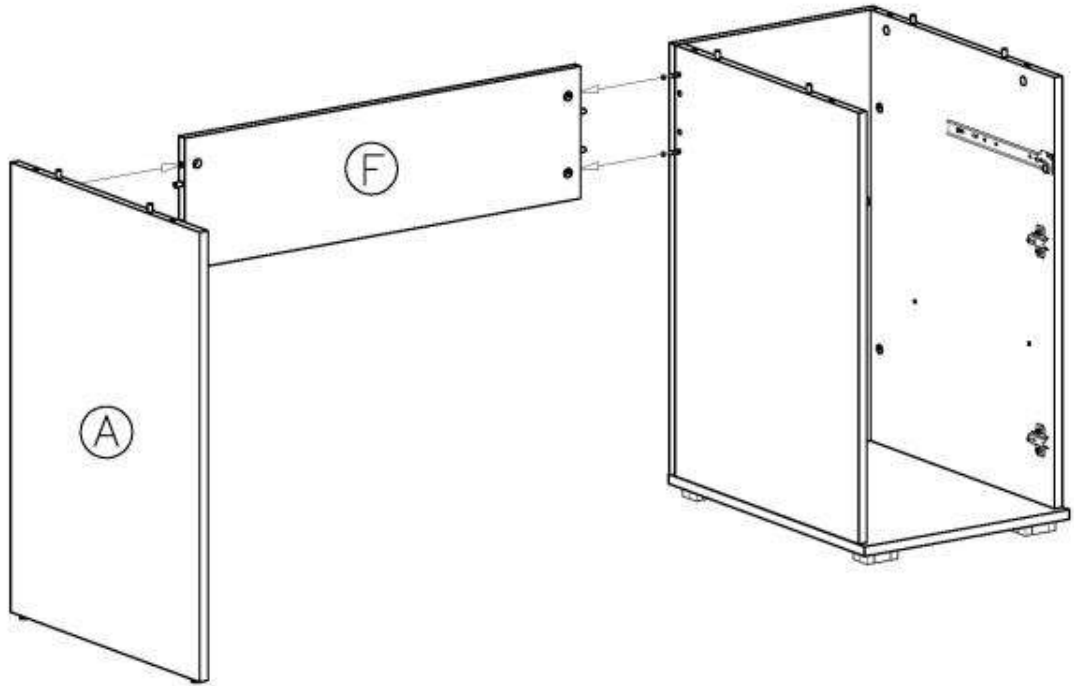


8

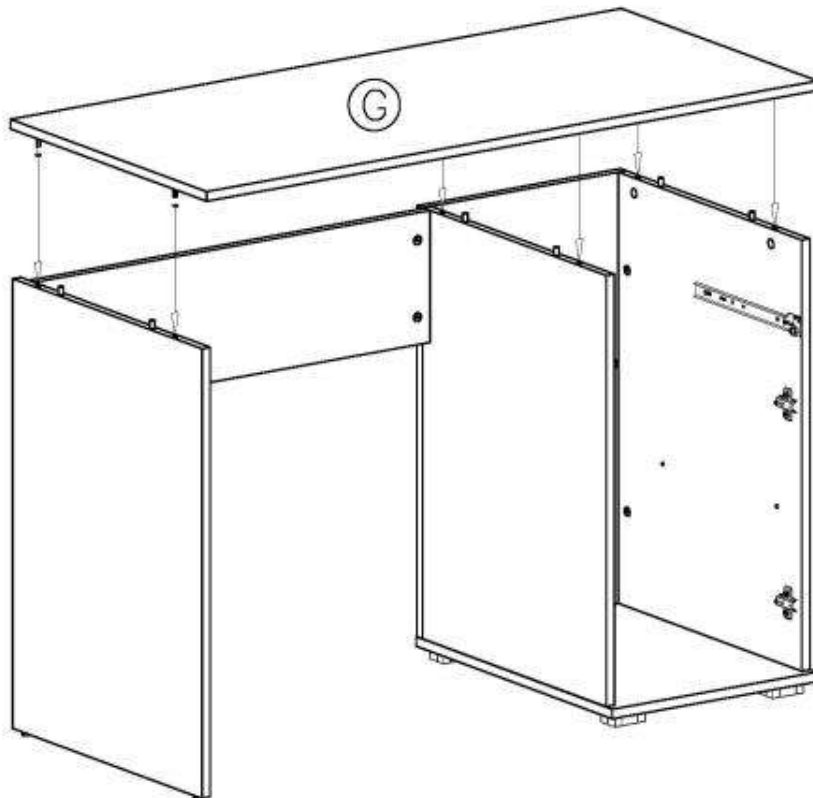
Z1		Z2	
Ø7x50	4x		1x



9

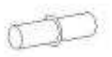


10

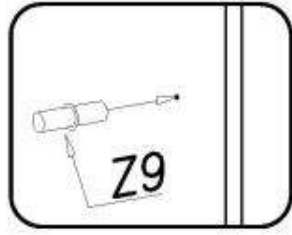


# 11

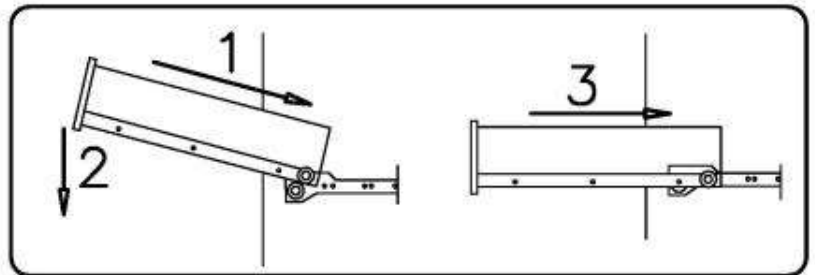
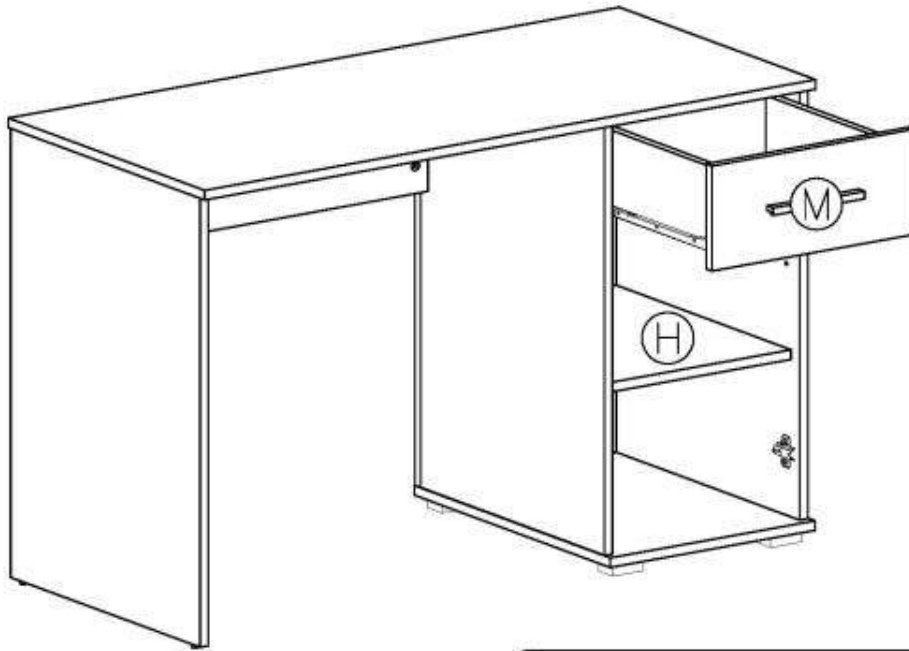
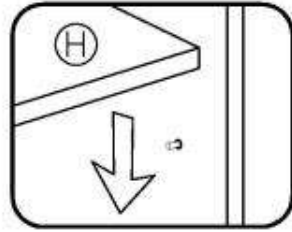


Z9  4x


1

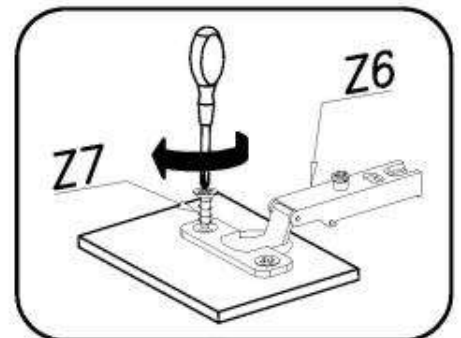
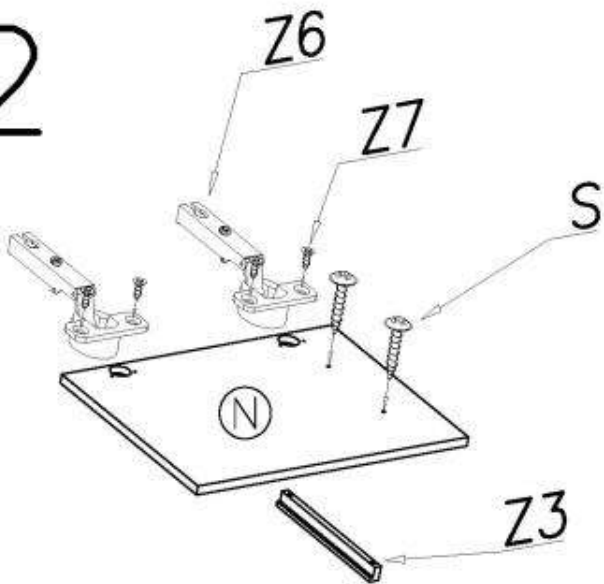


2






# 12

S 4x30 2x	Z7 3,5x16 4x	Z6  2x
		Z3 160mm 1x





# 13

Z12 ø16 16x		Z13 ø16 16x	
Z14 ø13 6x		Z15 ø13 6x	