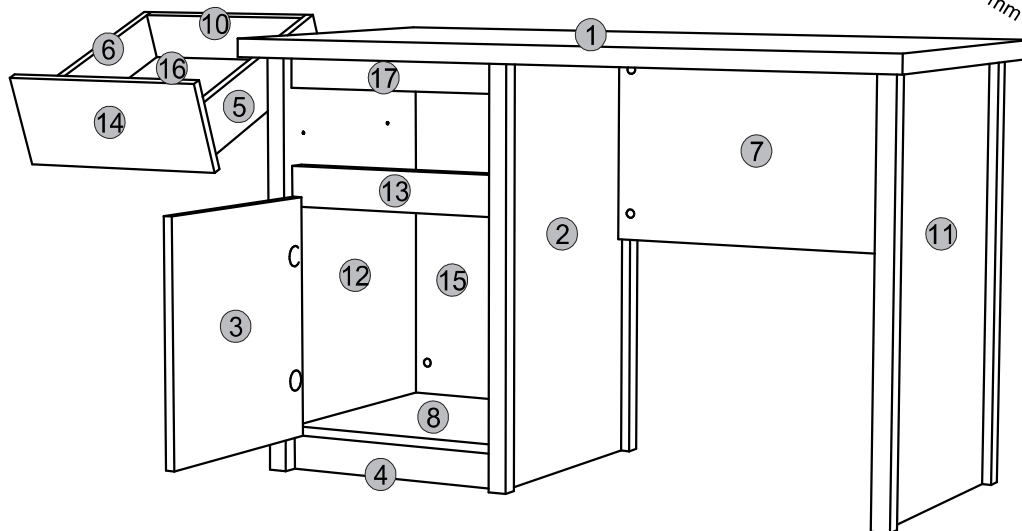
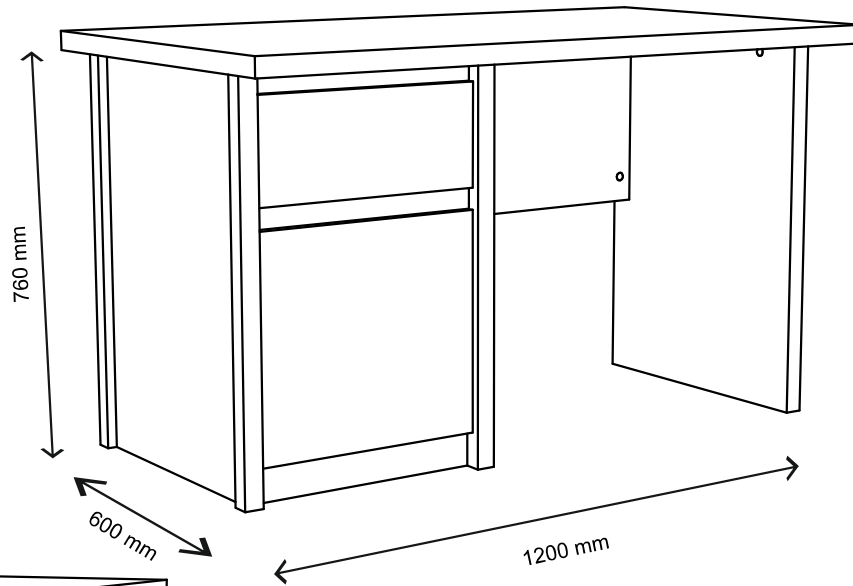
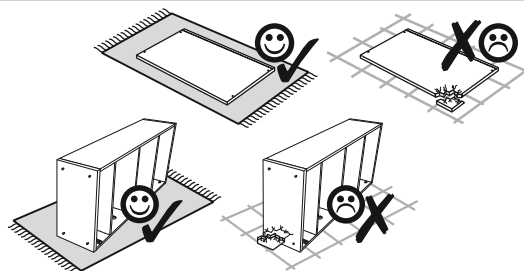
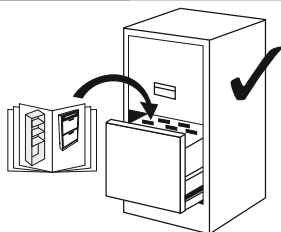
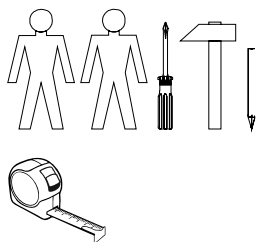


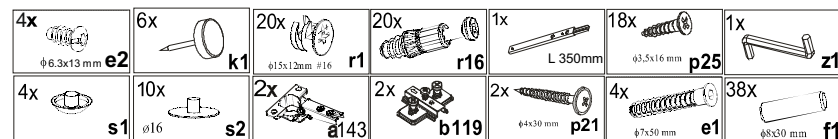


# Instalation manual

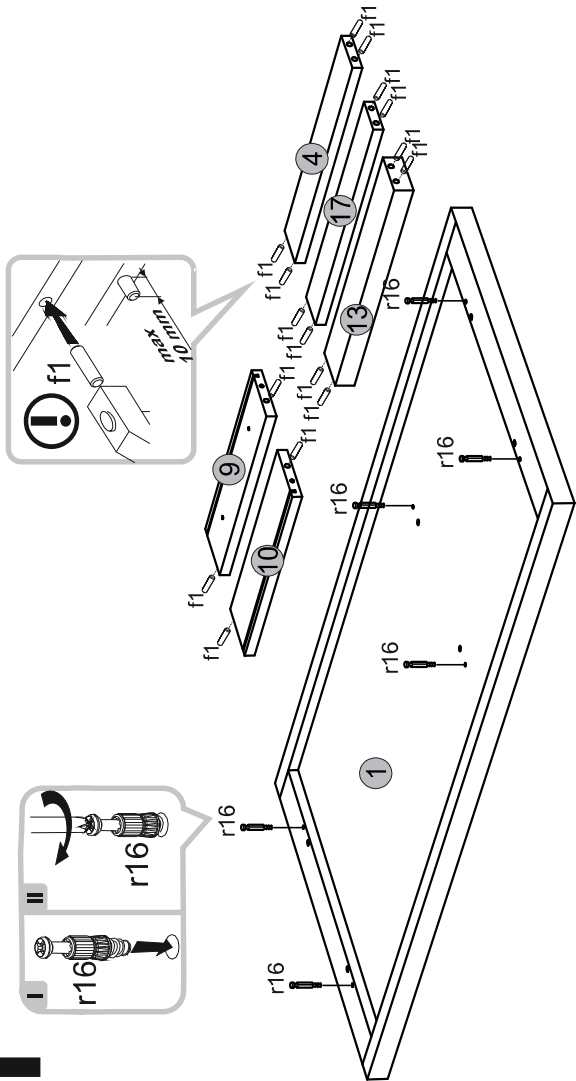
NORTON: BIU\_1D1S\_120



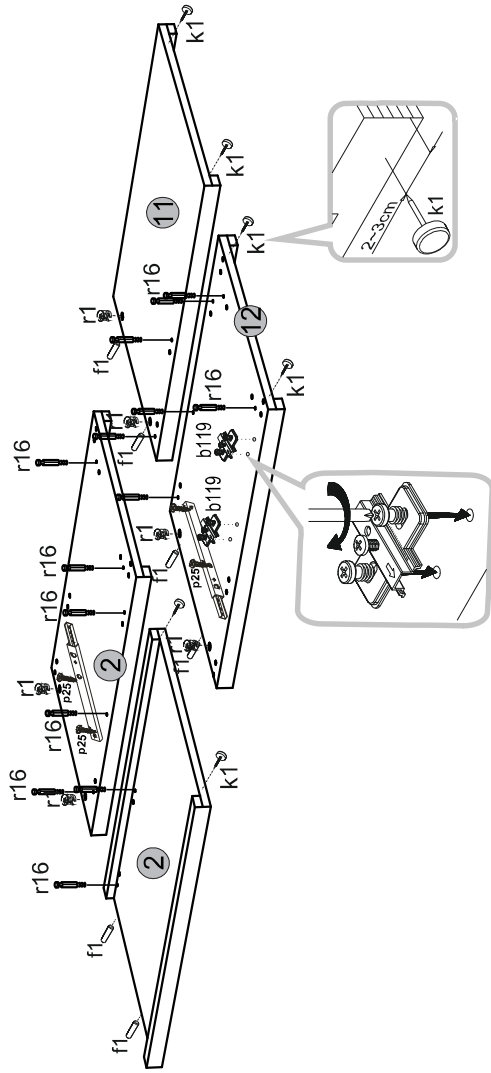
Element symbol	Dimensions				Code	Package
1	1200	600	16\32	1	K-203	1/1
2	734	500	16\32	1	K-109	1/1
3	416	394	16	1	K-001	1/1
4	400	60	16	2	K-402	2/2
5	400	100	16	1	K-501	1/1
6	400	100	16	1	K-502	1/1
7	350	664	16	1	K-110	1/1
8	400	428	16	1	K-306	1/1
9	343	100	16	1	K-503	1/1
10	343	100	16	1	K-504	1/1
11	718	500	16\32	1	K-111	1/1
12	718	500	16\32	1	K-112	1/1
13	70	400	30	1	K-403	1/1
14	170	394	16	1	K-002	2/2
15	674	400	16	1	K-128	1/1
16	367	382	3	1	K-604	1/1
17	400	70	16	1	K-440	1/1



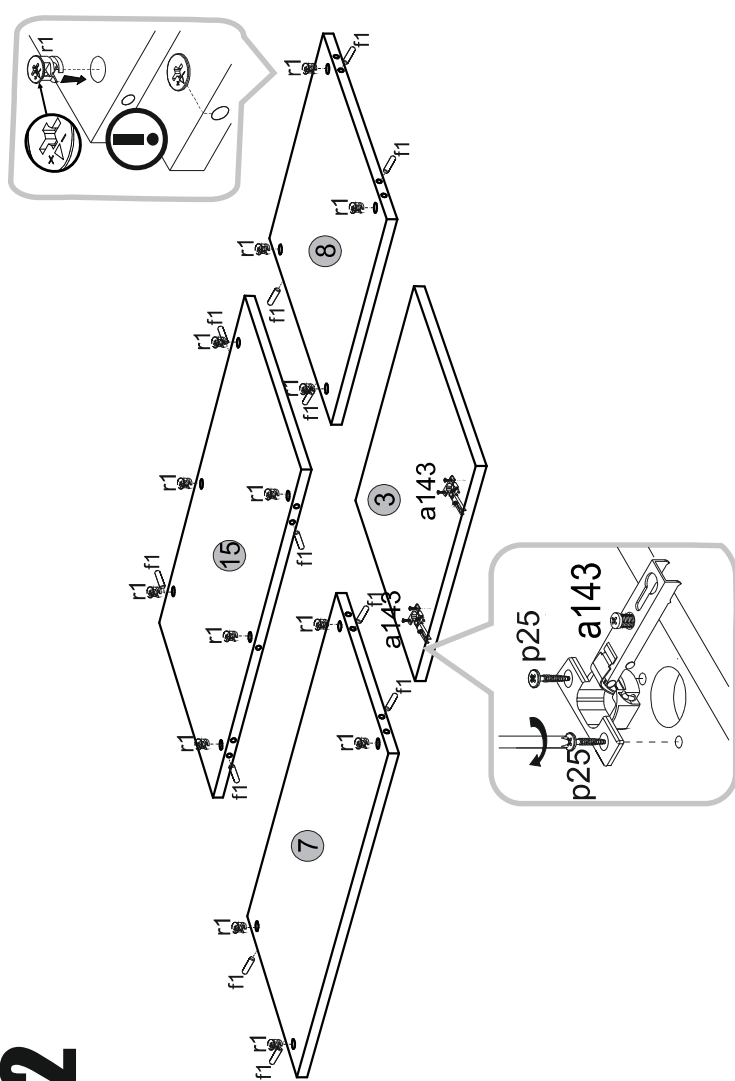
# 1



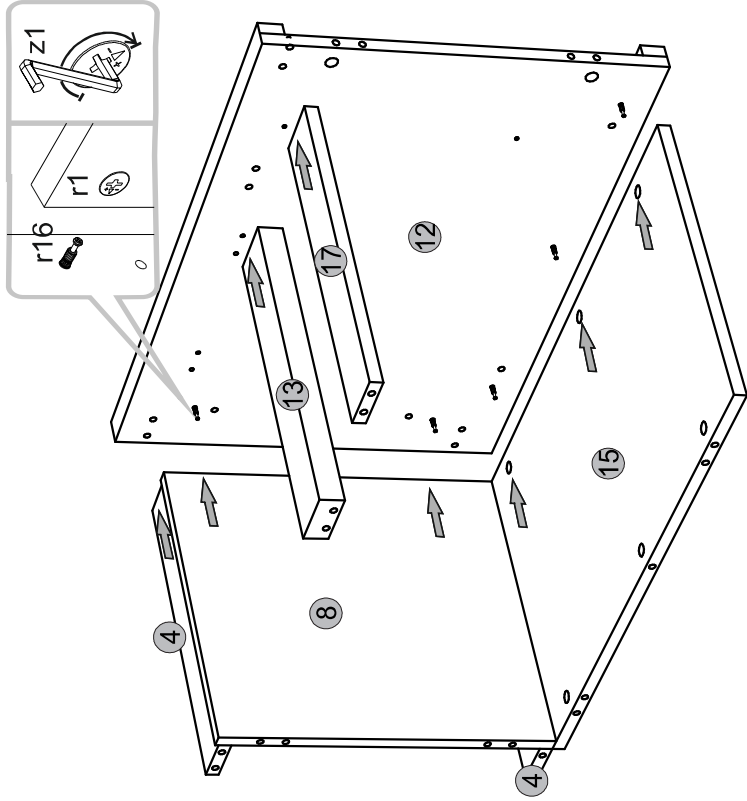
# 3



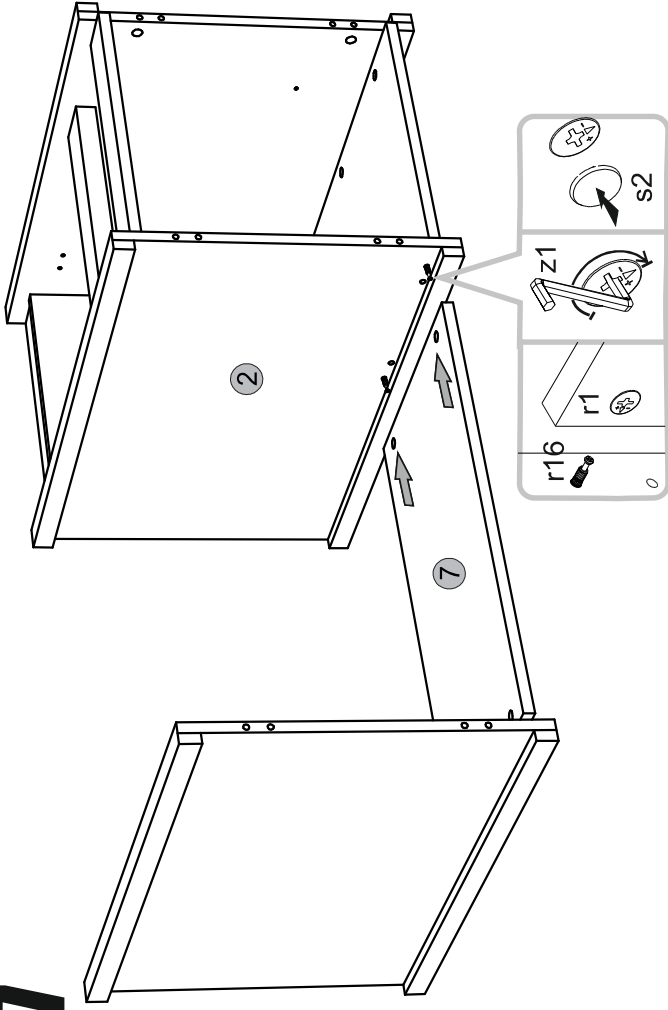
# 2



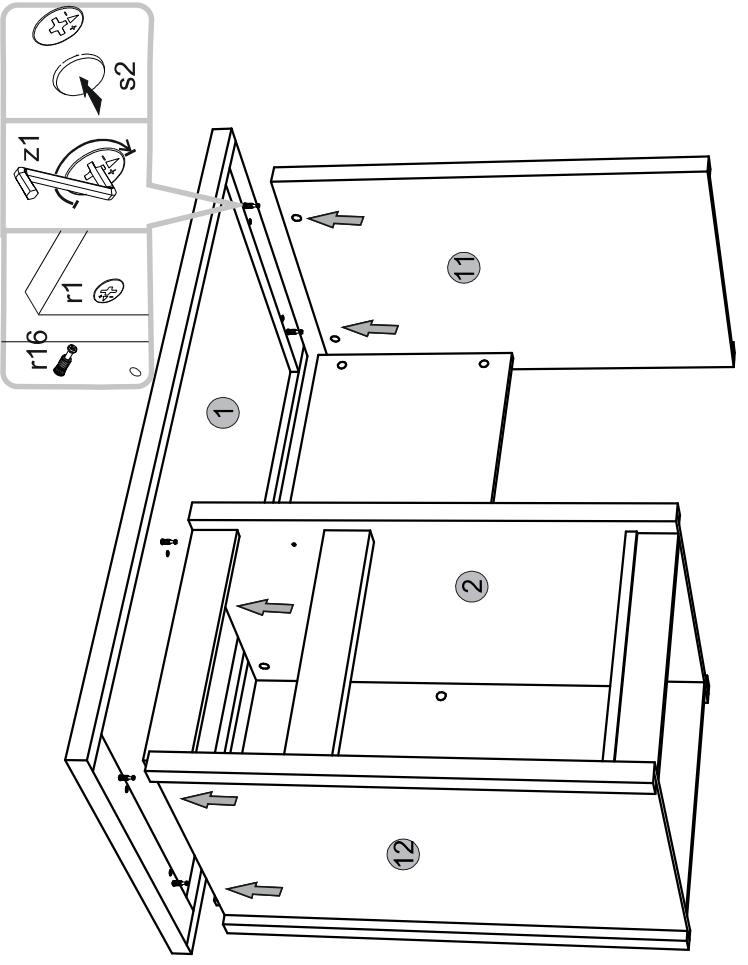
# 4



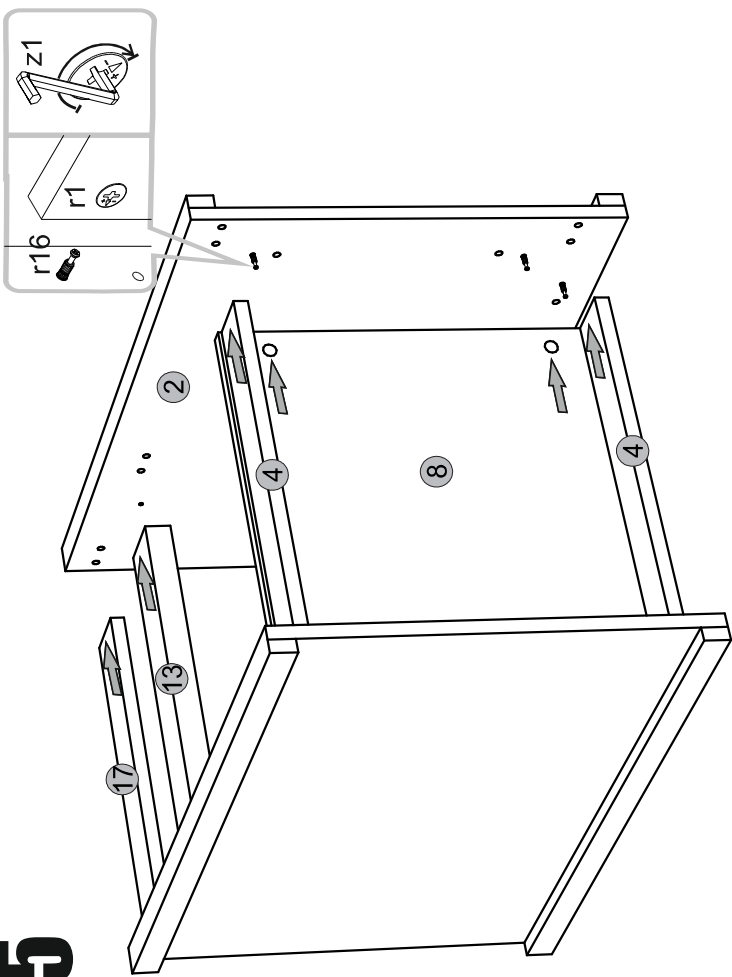
7



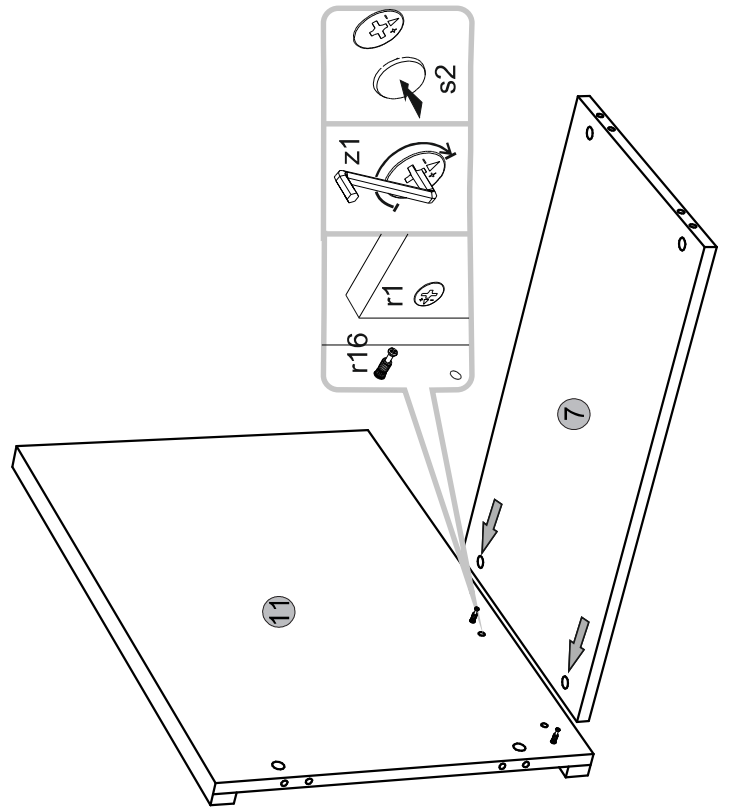
8



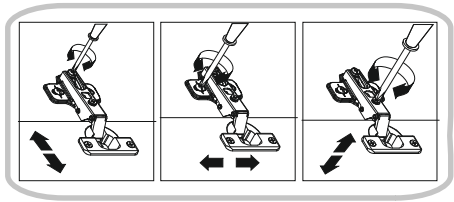
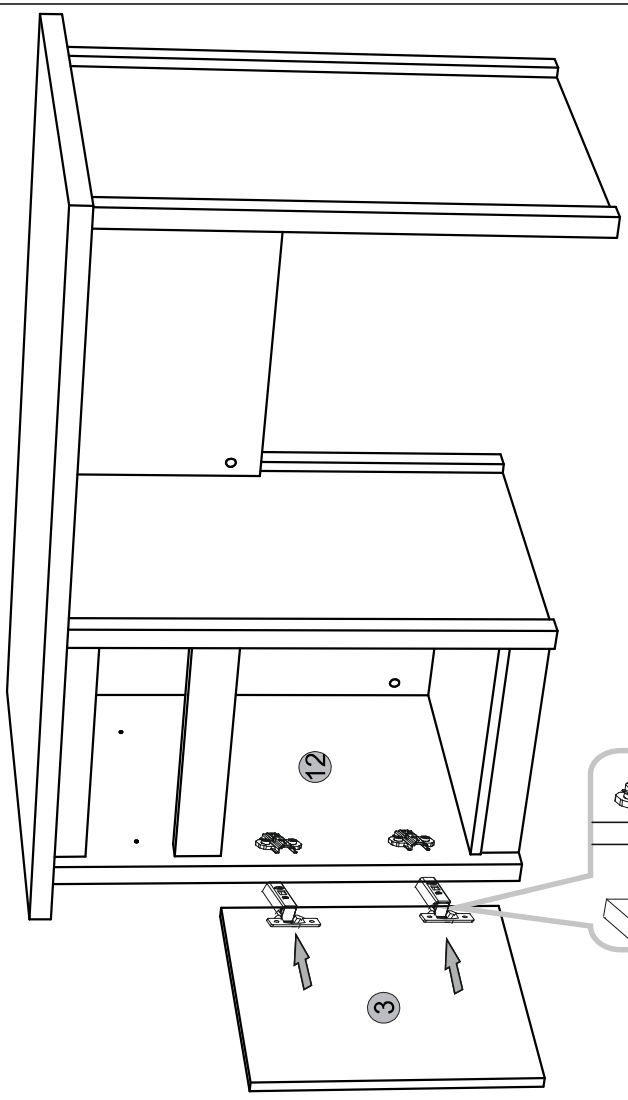
5



6



9



10

