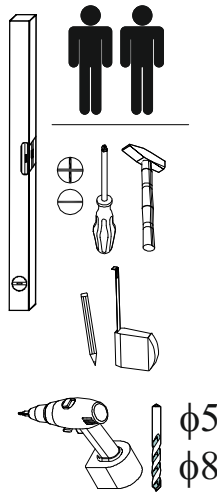
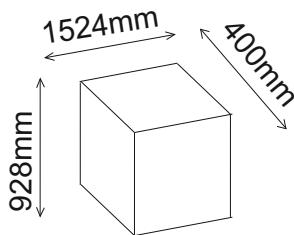
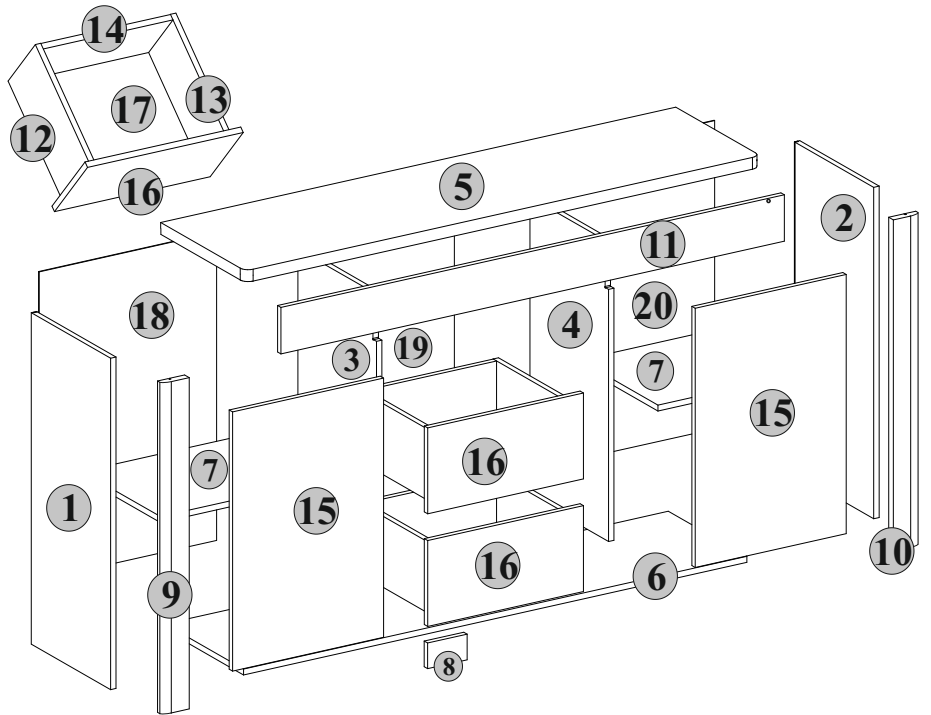


Moris/Mopic/Mopис

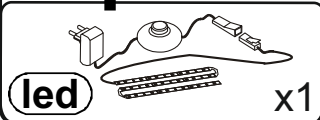
Chest of 2D3Drw
Komoda 2D3Sh
Комод 2Д3Ш



number	Measurements	Pcs.
1	891x375	1
2	891x375	1
3	805x372	1
4	805x372	1
5	1524x400	1
6	1490x372	1
7	507x371	2
8	69x116	1
9	891x80	1
10	891x80	1
11	1490x125	1
12	350x190	3
13	350x190	3
14	384x190	3
15	446x696	2
16	460x230	3
17	394x344	3
18	829x525	1
19	829x458	1
20	829x525	1

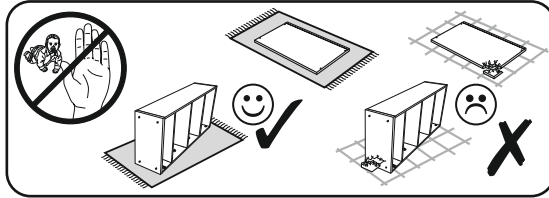




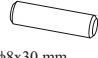
Option

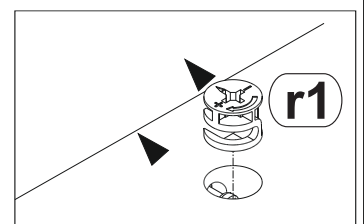
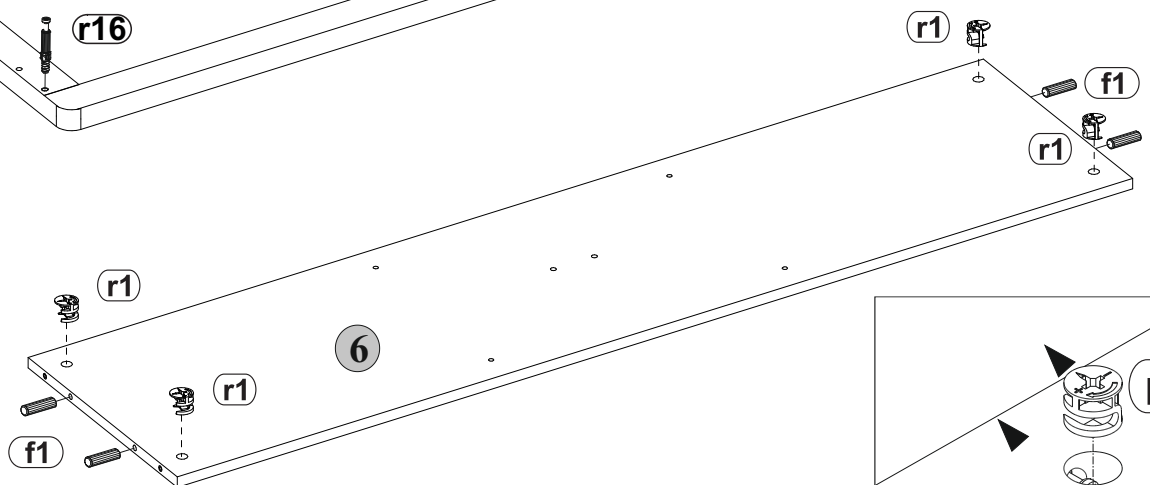
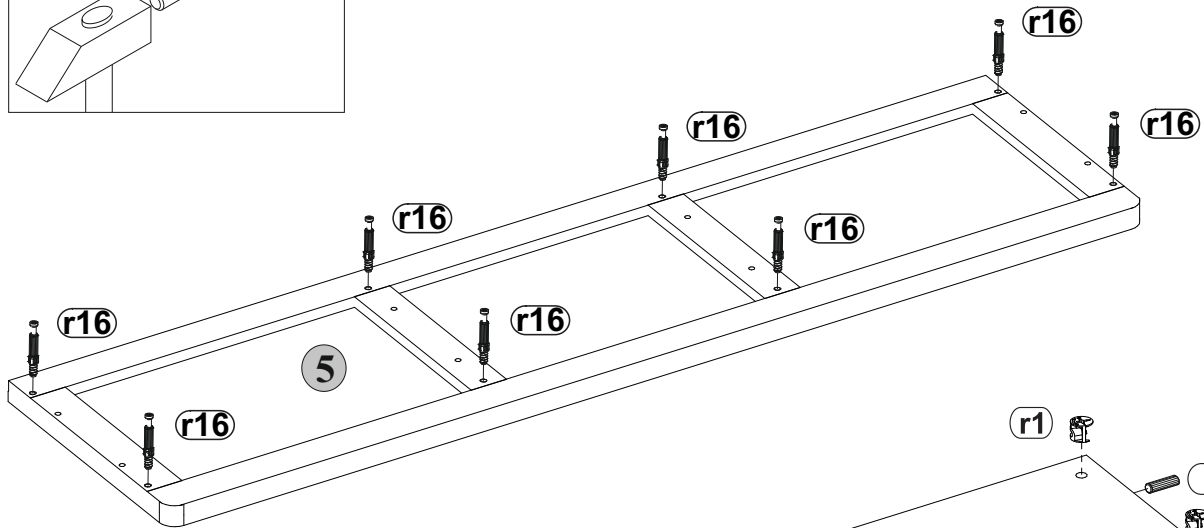
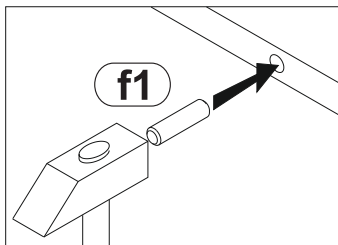
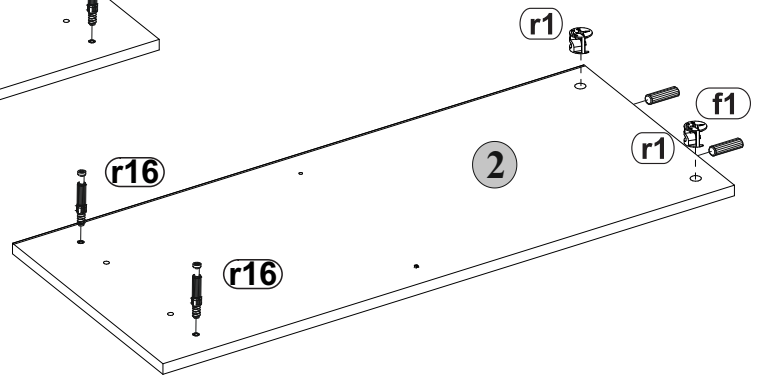
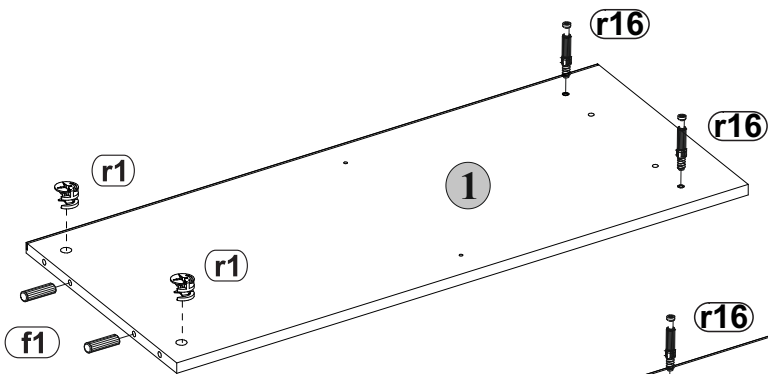
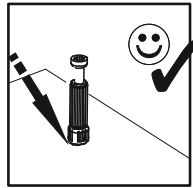
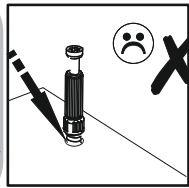
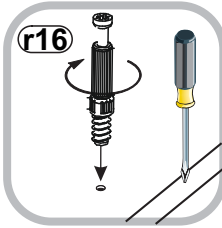


a x4	b x4	p3 φ3.5x16 mm x24		
c77 x5	d6 x3	d1 x8	s1 x16	e1 φ6.5x50 mm x16
e2 φ6.3x13 mm x8	f1 φ8x30 mm x18	w350 x3	l1 x60	j1 φ4x25 mm x10
k1 x6	n14 x1	n50 x6	p1 φ3.5x13 mm x52	p78 φ3.5x30 mm x4
r1 φ15 #16 x24	y1 x1	r16 x24	s2 x24	z1 x1

I

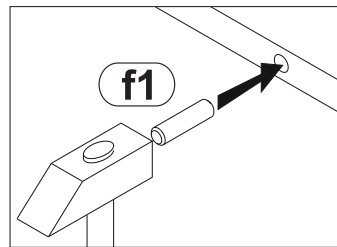
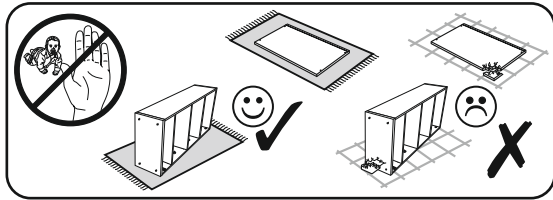


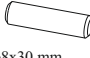
- r1**  $\phi 15 \#16$ x8
- r16**  x12
- f1**  $\phi 8 \times 30 \text{ mm}$ x8

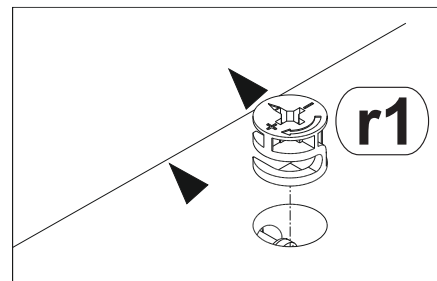
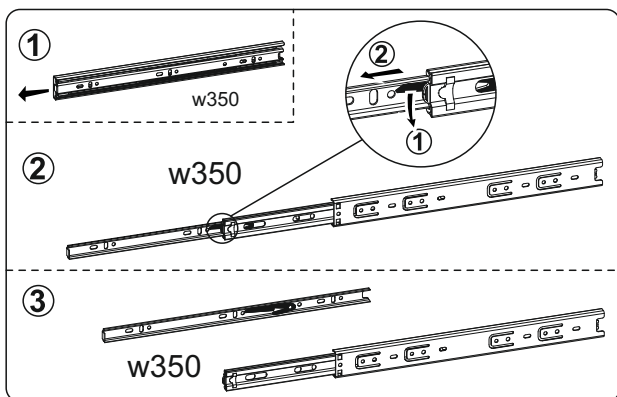
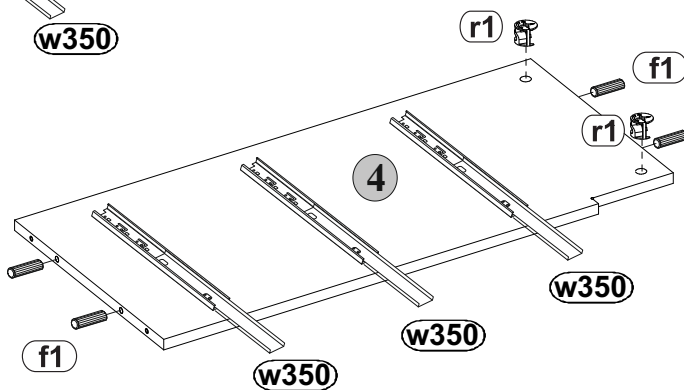
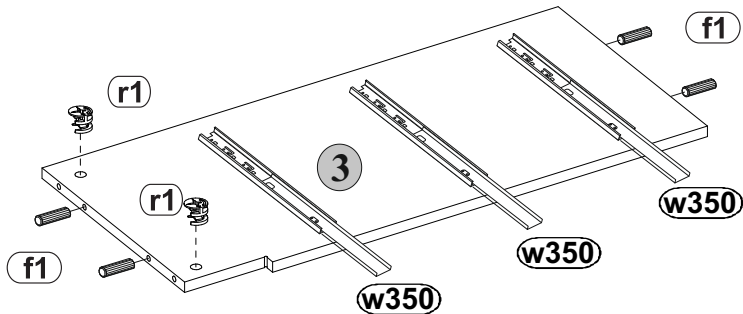


2

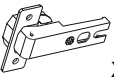

2

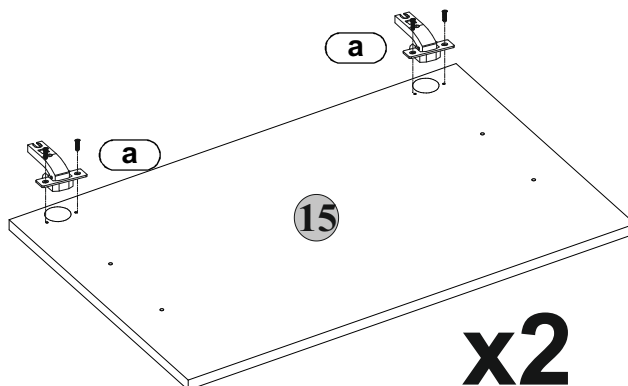
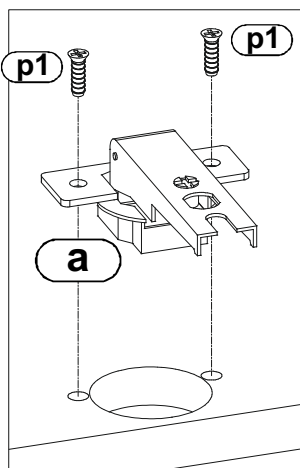


- r1**  $\phi 15 \#16$ x4
- f1**  $\phi 8 \times 30$ mm x8
- w350**  x3
- p1**  $\phi 3.5 \times 13$ mm x18



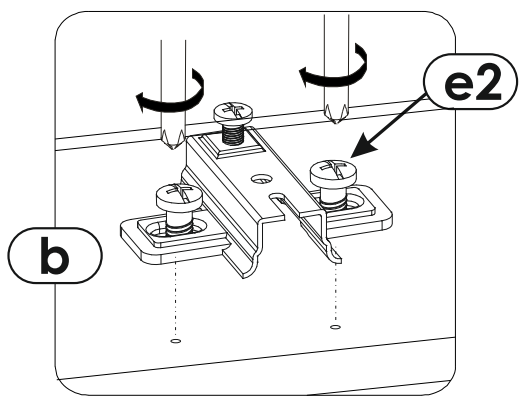
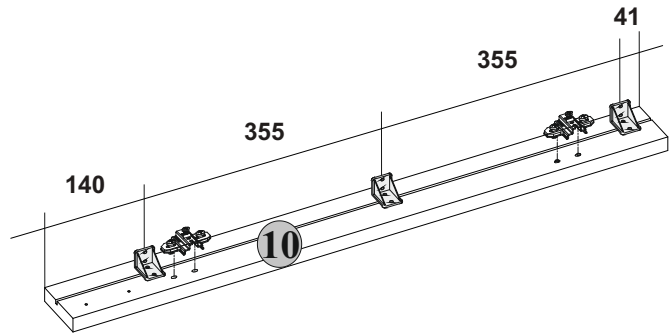
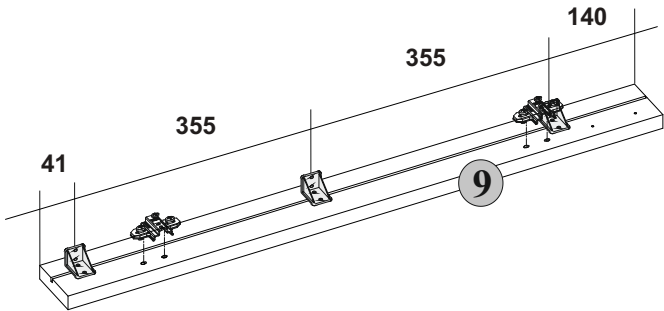
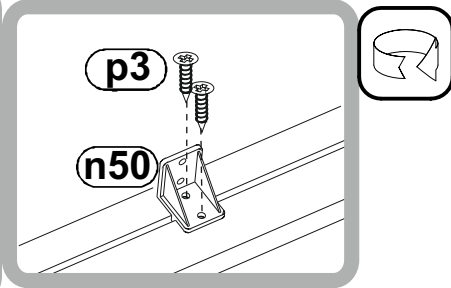
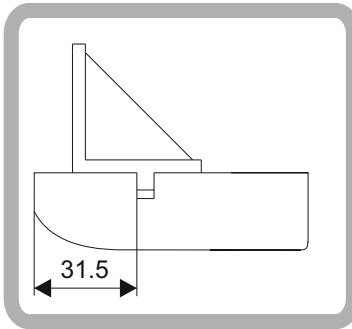
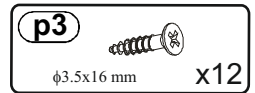
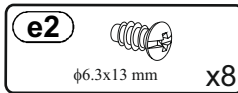
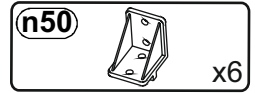
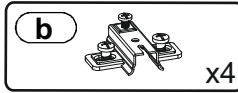
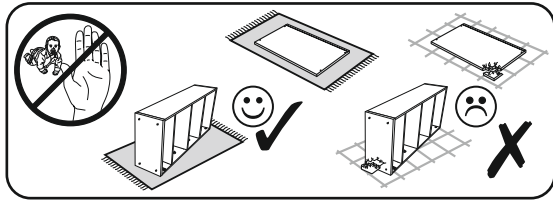
3

- a**  x4
- p1**  $\phi 3.5 \times 13$ mm x8



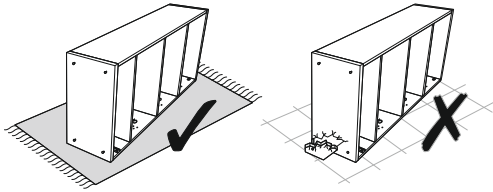
3



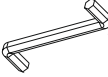
4

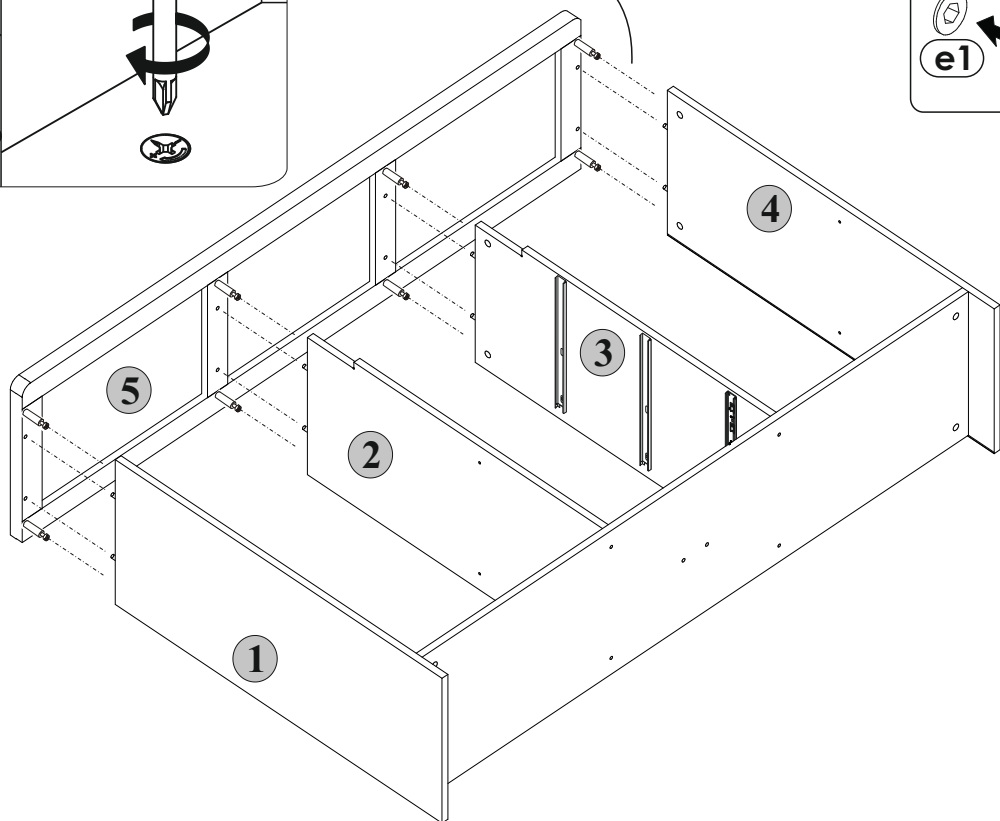
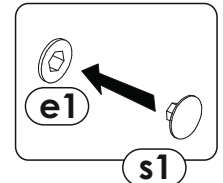
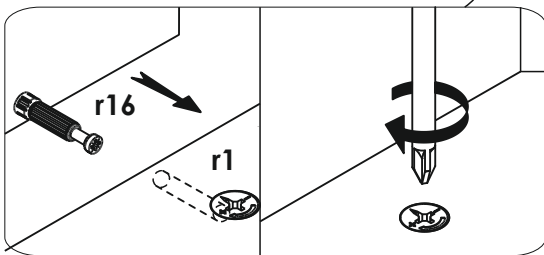
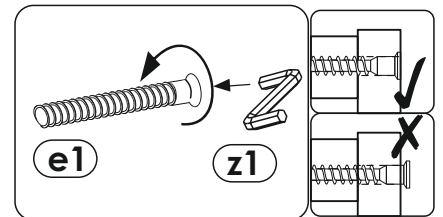
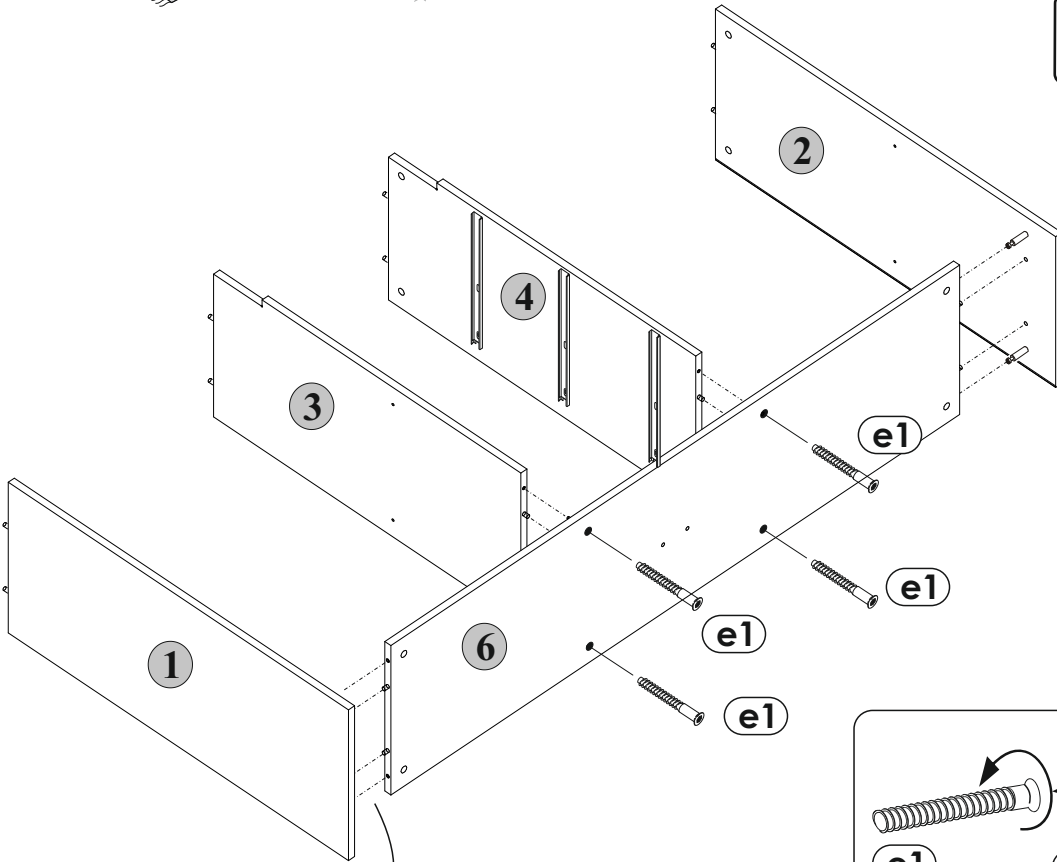


4

5

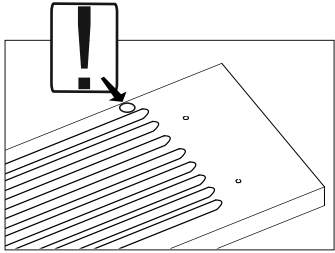




- e1**  $\phi 6.5 \times 50$ mm x4
- s1**  x4
- z1**  x1

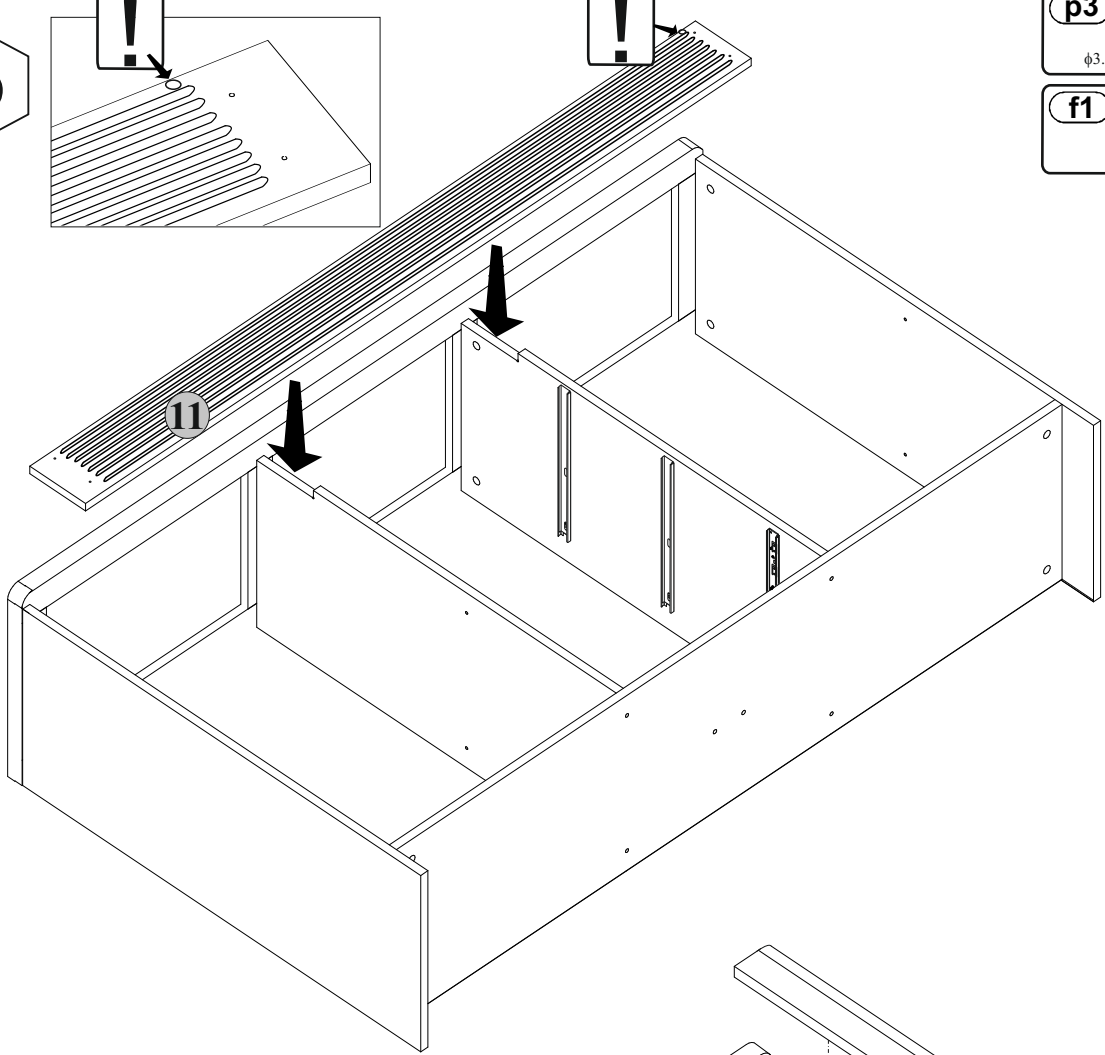


5

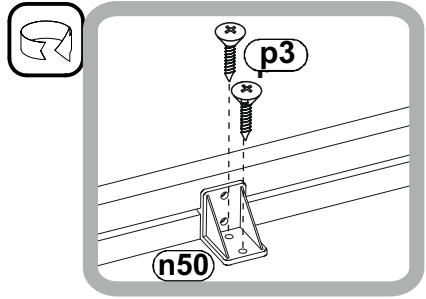
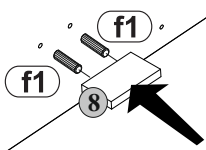
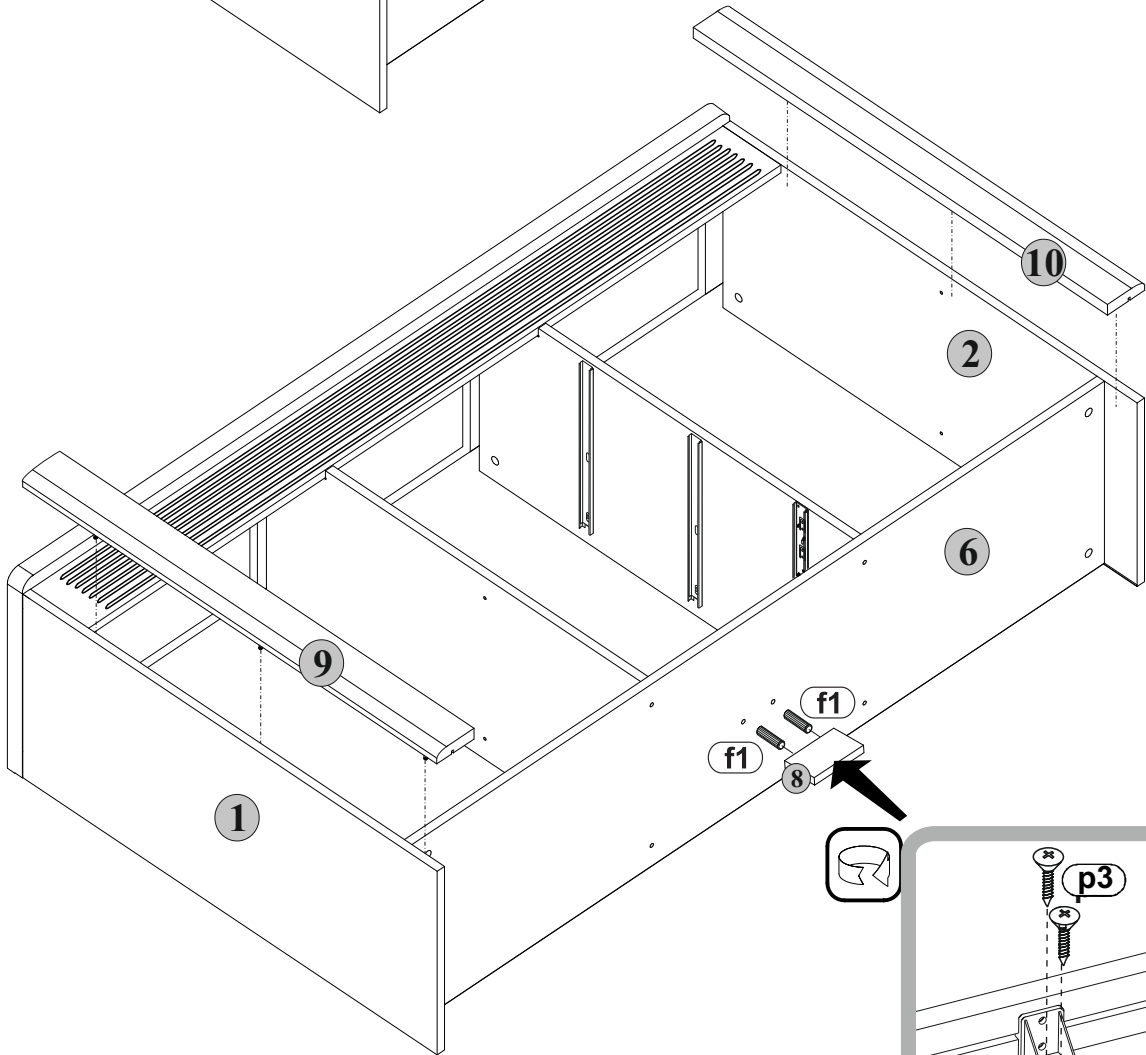
6



- p3**  $\phi 3.5 \times 16 \text{ mm}$ x12
- f1**  $\phi 8 \times 30 \text{ mm}$ x2

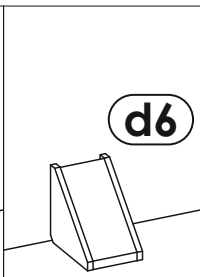
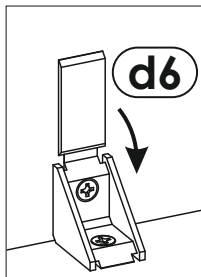
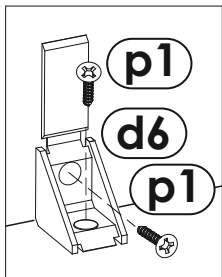
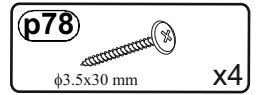
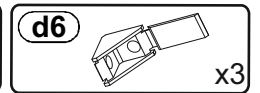
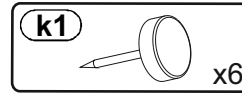
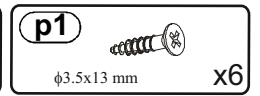
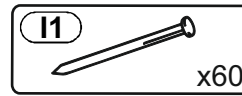
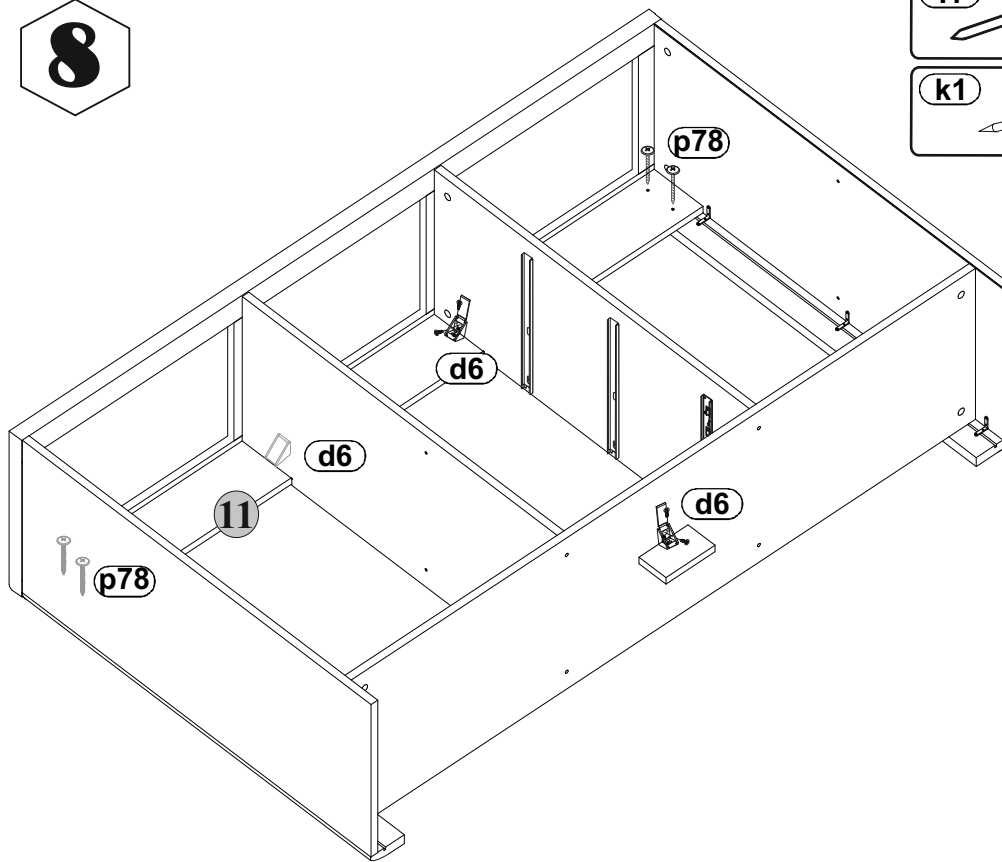


7

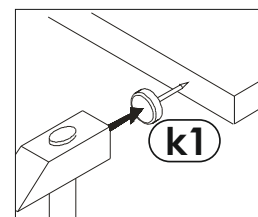
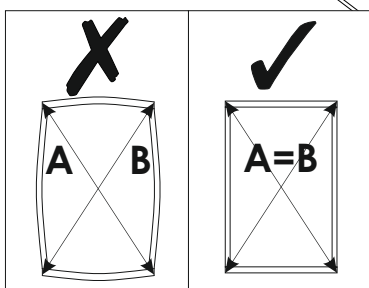
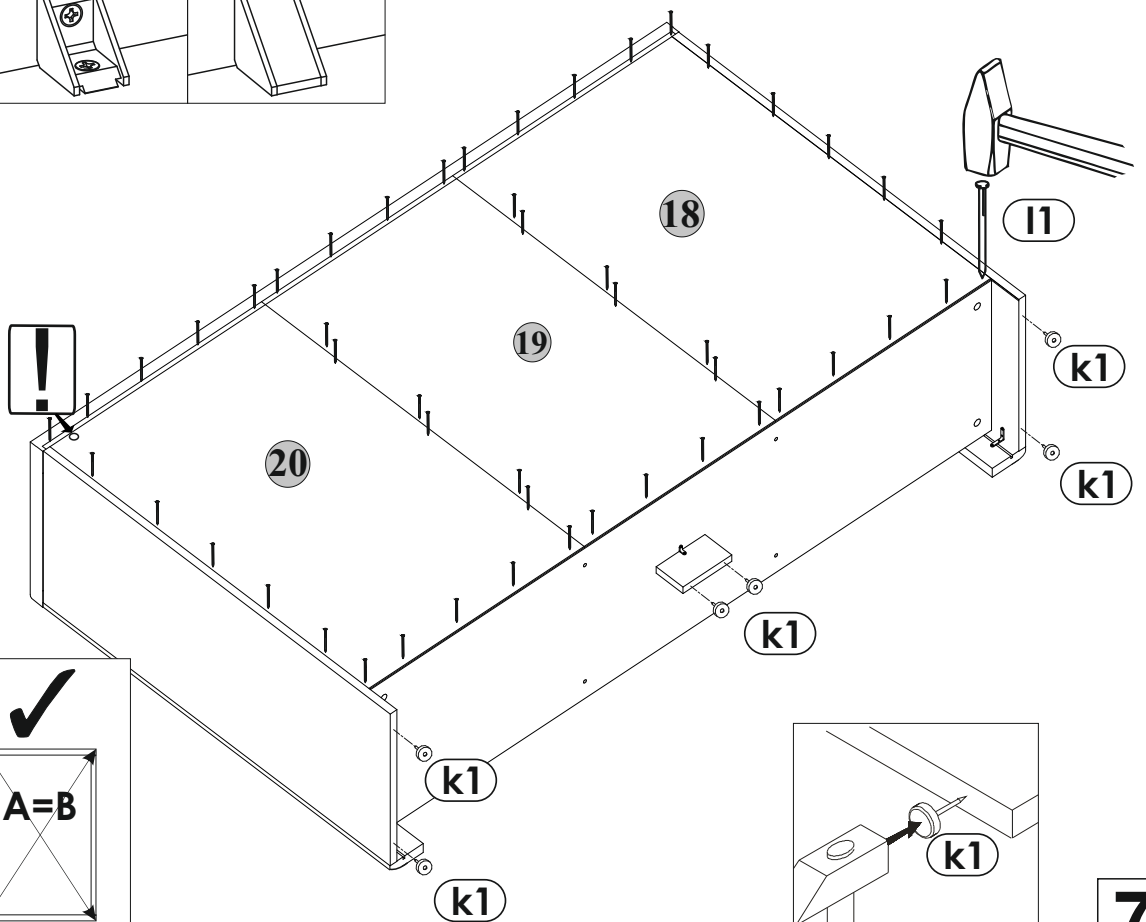


6

8

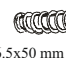







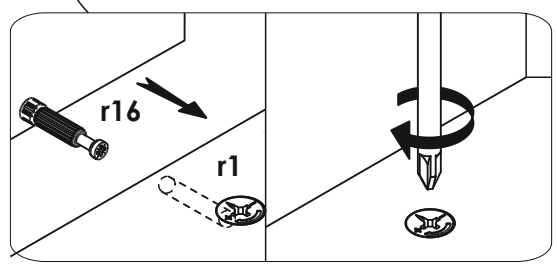
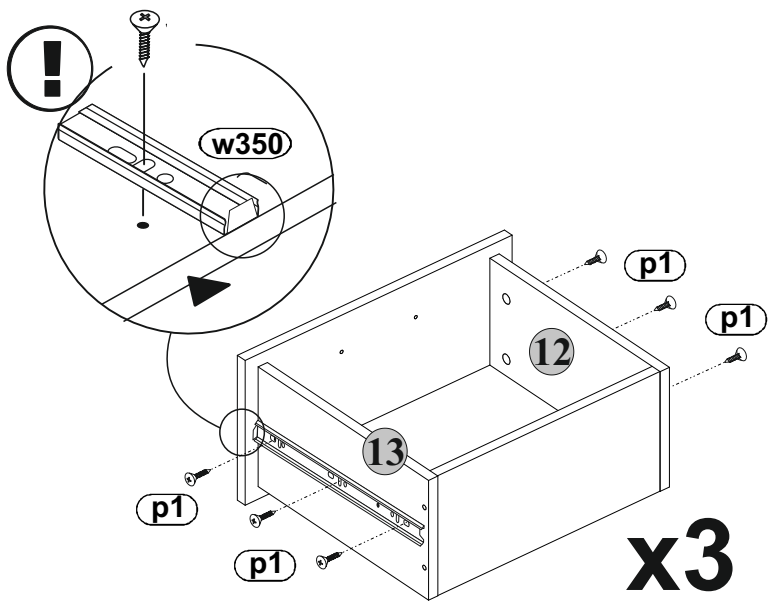
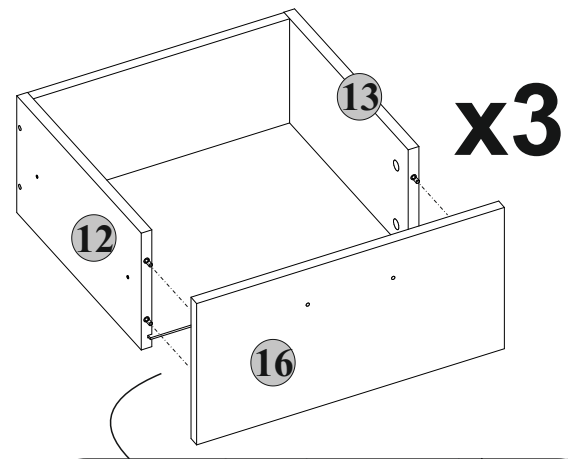
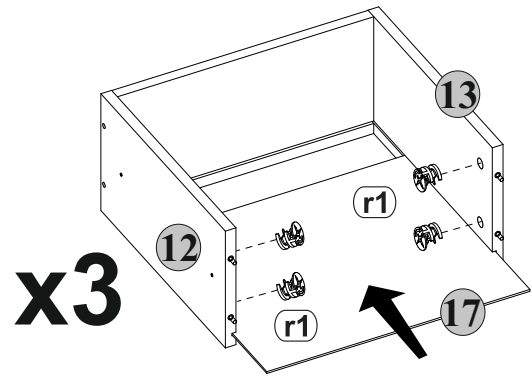
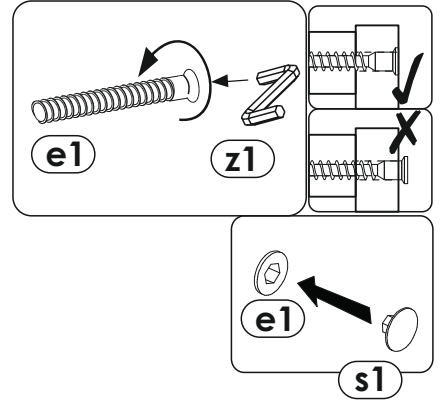
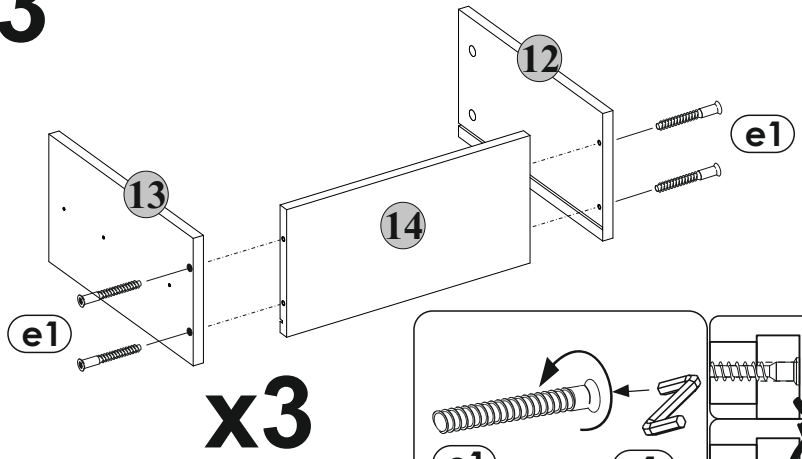
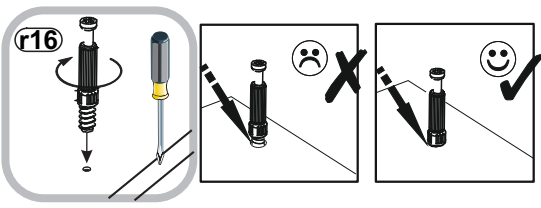
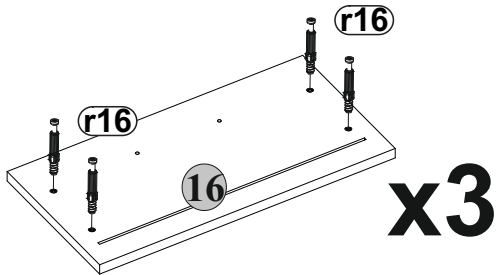
9



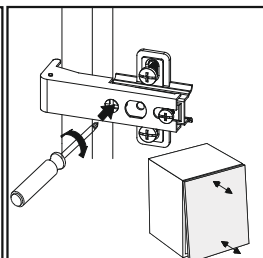
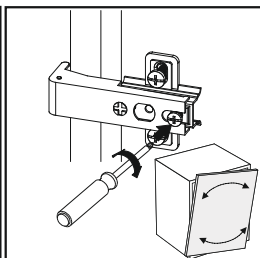
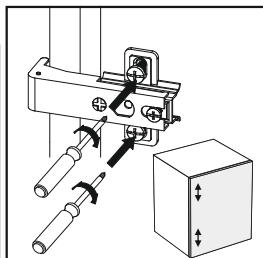
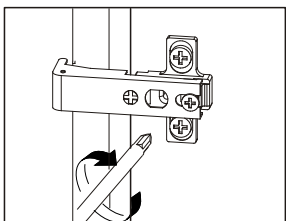
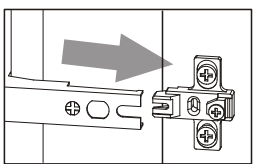
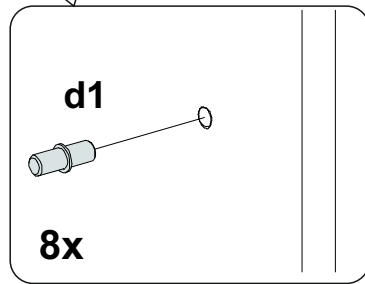
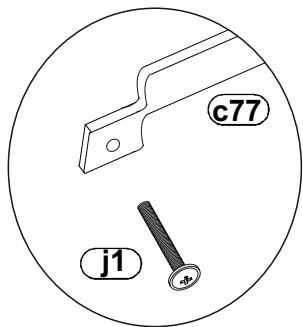
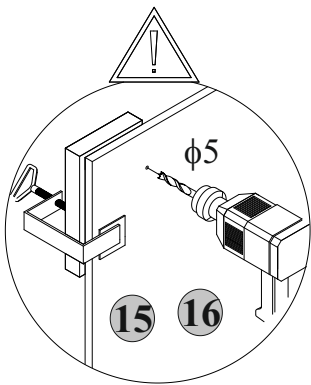
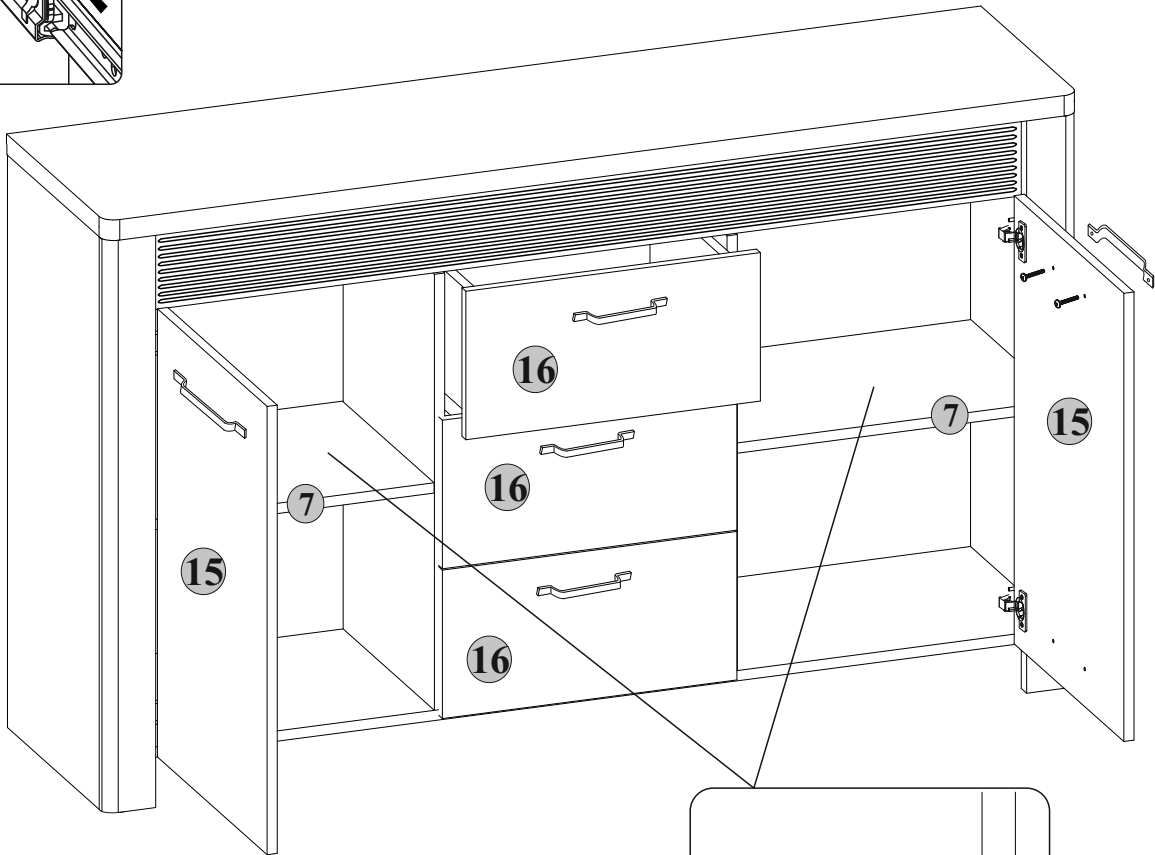
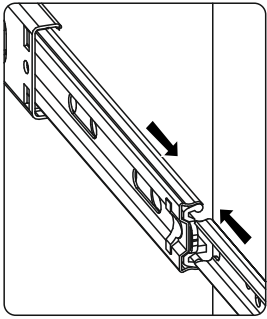
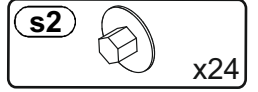
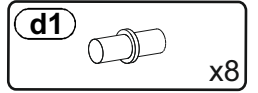
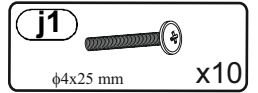
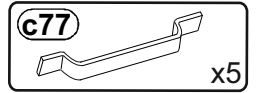
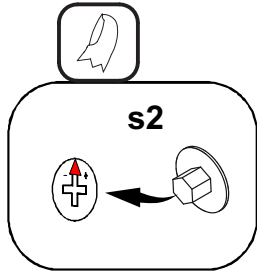
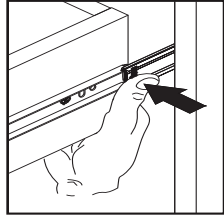
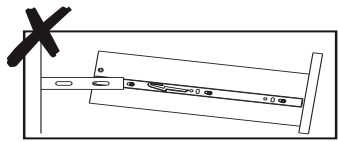
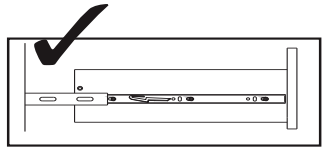
7

10

- e1**  $\phi 6.5 \times 50$ mm x12
- r1**  $\phi 15 \#16$ x12
- z1**  x1
- r16**  x12
- s1**  x12
- p1**  $\phi 3.5 \times 13$ mm x18



11



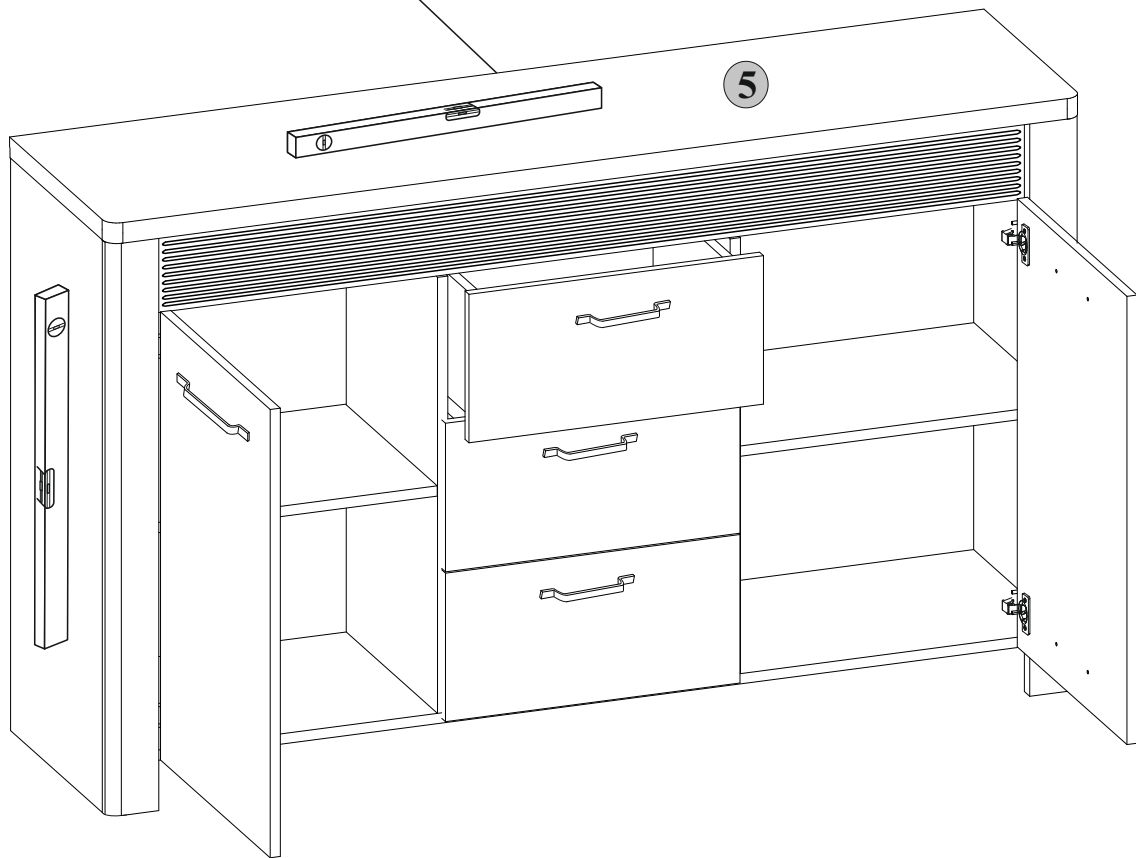
9

12



p1		x2
φ3.5x13 mm		
n14		x1

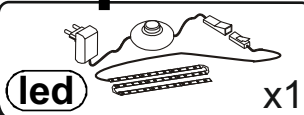
1		2		3		4		5	
----------	--	----------	--	----------	--	----------	--	----------	--



10

OPTION

Option



led x1

