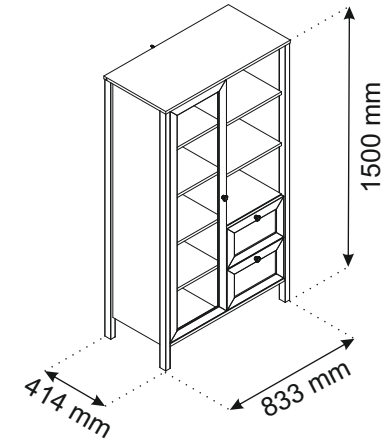
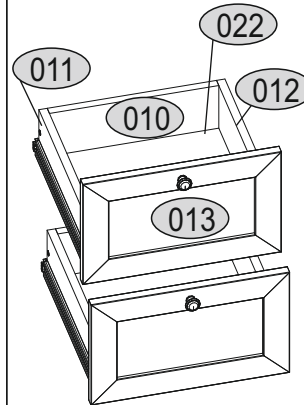
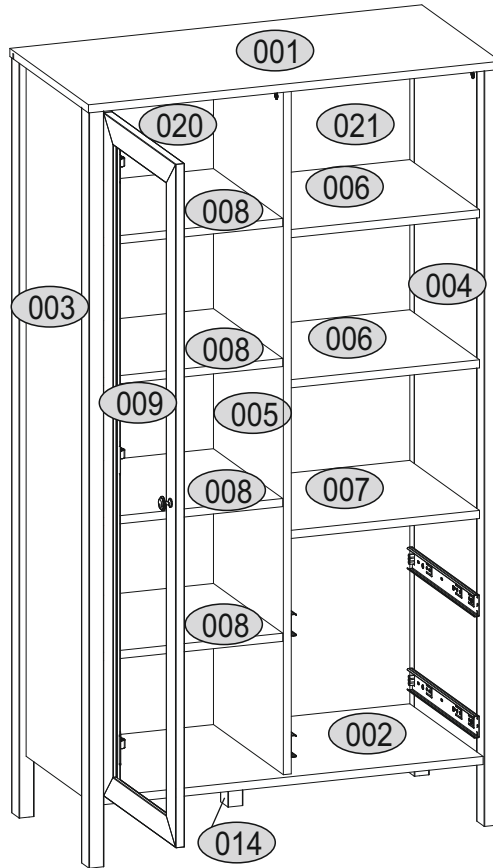
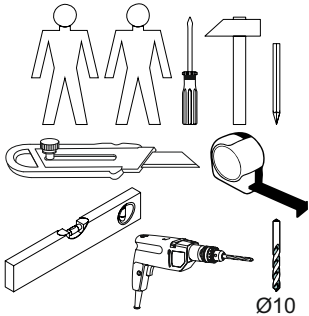
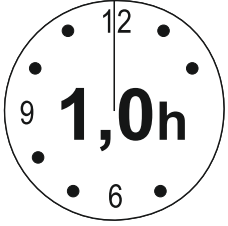
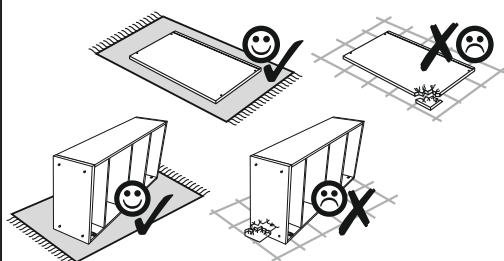
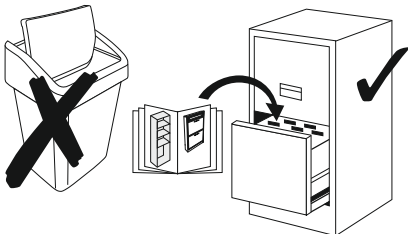


Installation manual






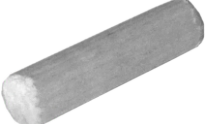


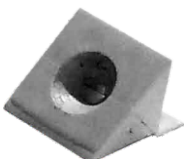







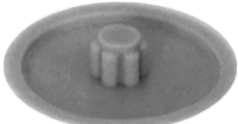

Klark Showcase low 1W2S

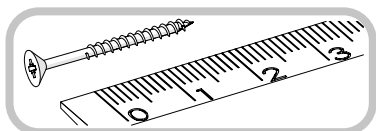


Code	Dimensions			Package	
001	833	414	16	1	1/3
002	769	400	16	1	1/3
003	1484	408	30	1	2/3
004	1484	408	30	1	2/3
005	1348	368	16	1	2/3
006	381	367	16	2	1/3
007	381	367	16	1	1/3
008	372	365	16	4	1/3
009	1342	380	18	1	3/3
010	324	120	16	2	1/3
011	350	120	16	2	1/3
012	350	120	16	2	1/3
013	380	235	18	2	1/3
014	120	40	30	1	2/3
020	1366	389	3	1	2/3
021	1366	398	3	1	2/3
022	349	342	3	2	2/3
accessories				1	1/3



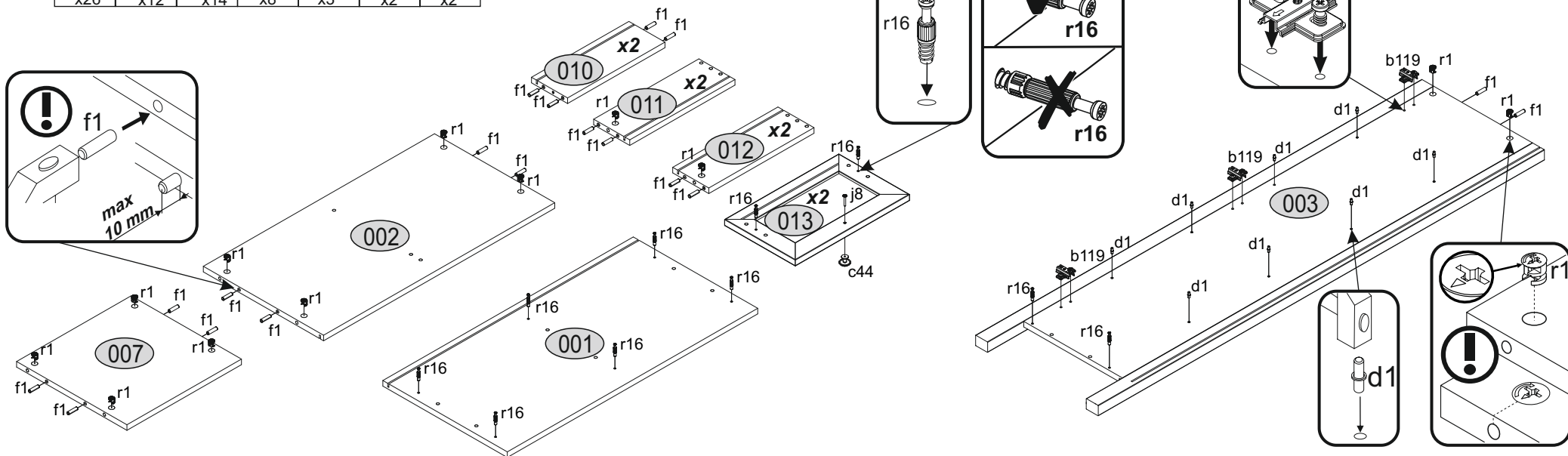
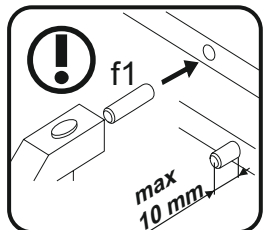
Accessories:

<p>3x a143</p> 	<p>3x b119</p> 	<p>3x c44</p> 	<p>24x d1</p> 
<p>7x e1 $\varnothing 7 \times 50$</p> 	<p>32x f1 $\varnothing 8 \times 30$</p> 	<p>1x f3</p> 	<p>3x j8 $\varnothing 4 \times 25$</p> 
<p>10x l2</p> 	<p>2x lb L-350</p> 	<p>1x n14</p> 	<p>3x n260.01</p> 
<p>1x p17</p> 	<p>45x p25</p> 	<p>18x r1 $\varnothing 15 \times 12$</p> 	<p>18x r16 $\varnothing 5 \times 24$</p> 
<p>10x s2</p> 	<p>1x z1</p> 		



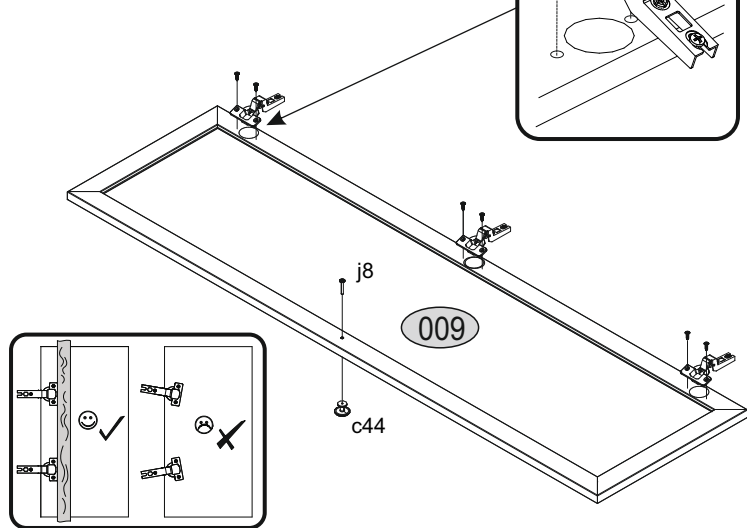
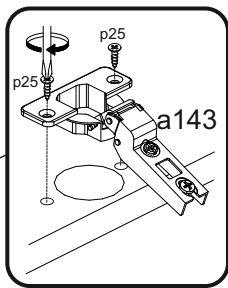
1

f1	r16	r1	d1	b119	c44	j8
x26	x12	x14	x8	x3	x2	x2



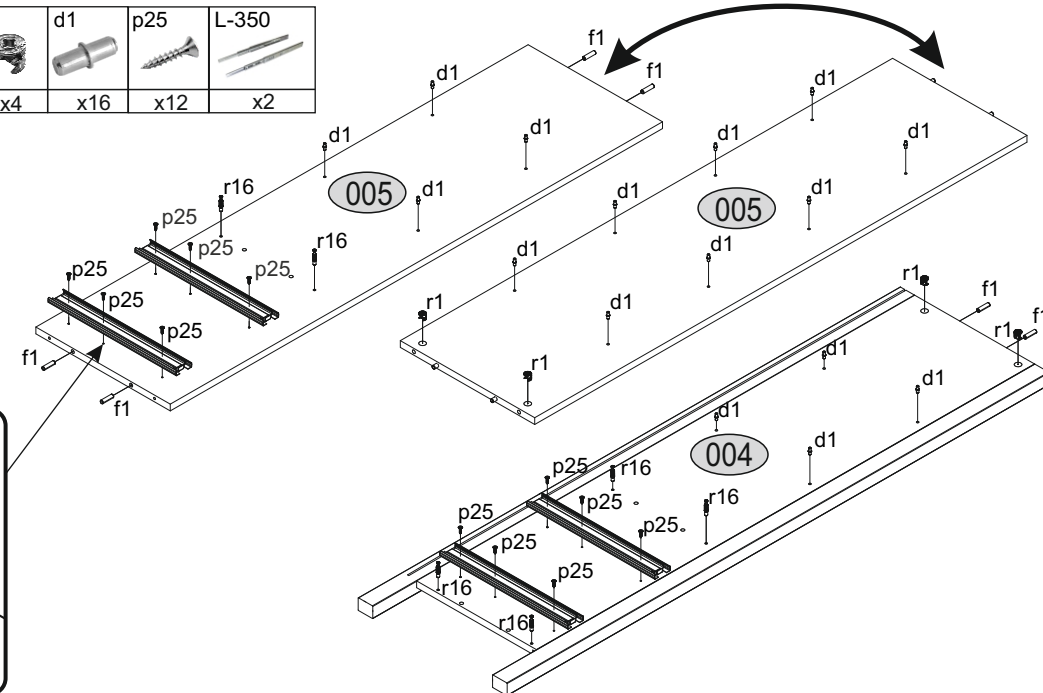
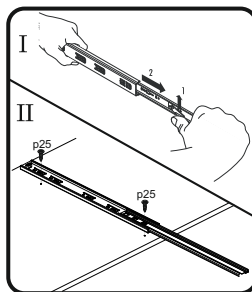
2

c44	a143	p25	j8
x1	x3	x6	x1

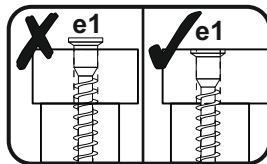
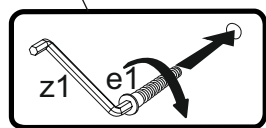
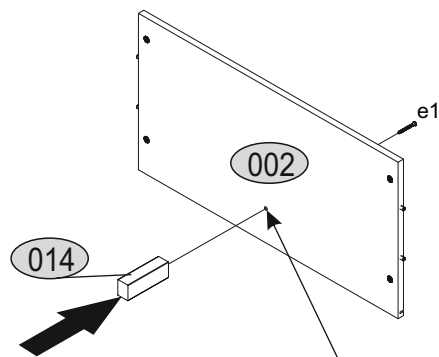


3

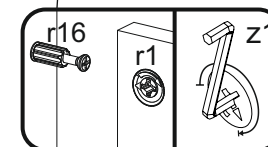
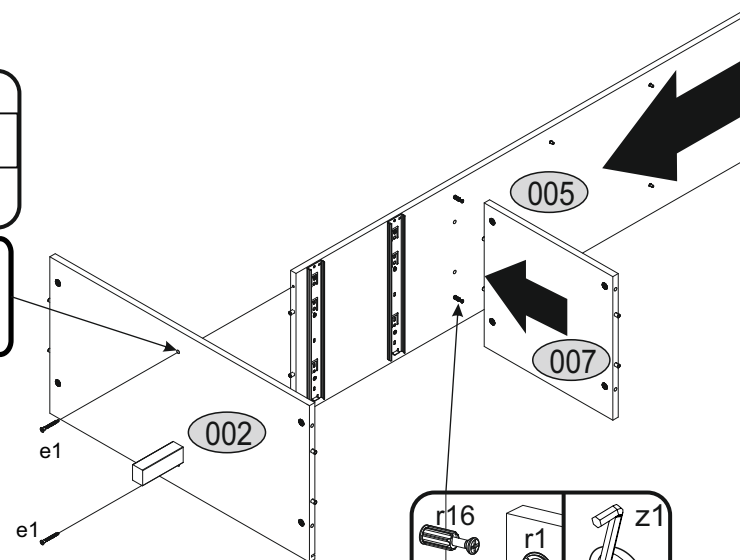
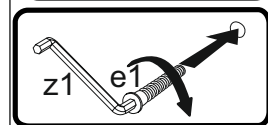
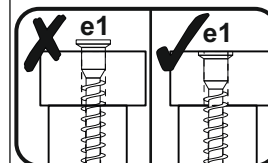
f1	r16	r1	d1	p25	L-350
x6	x6	x4	x16	x12	x2



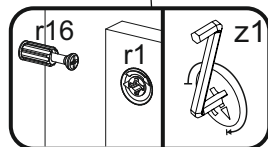
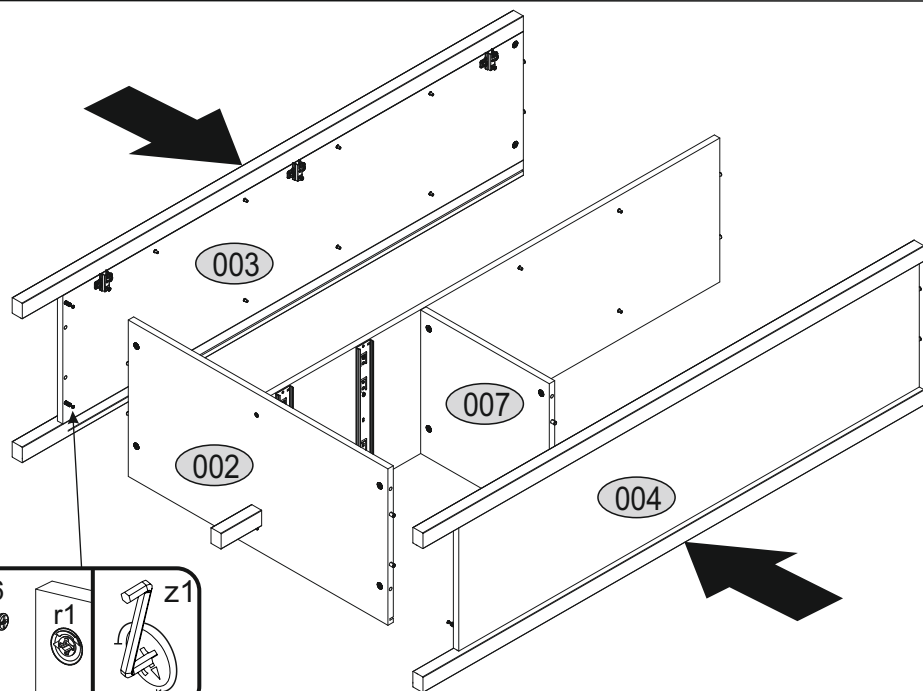
4 e1
x1



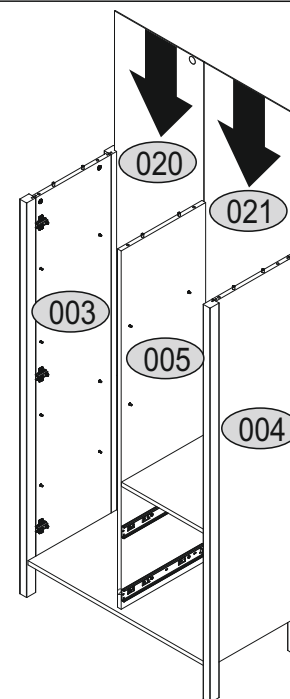
5 e1
x2



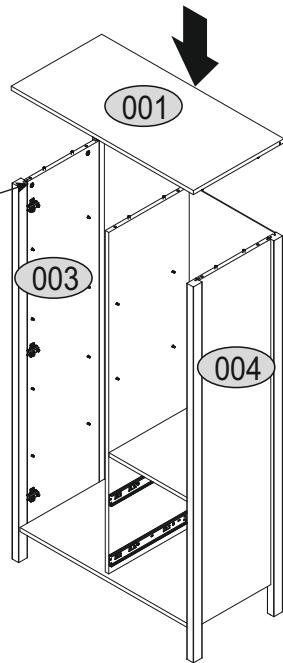
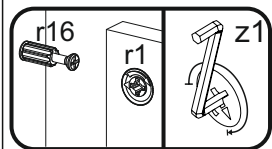
6



7

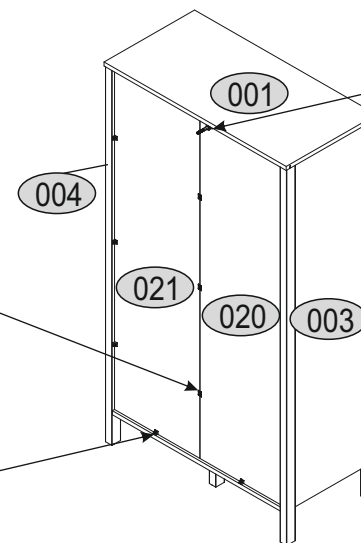
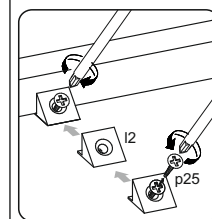
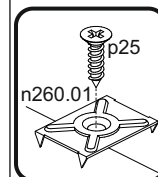
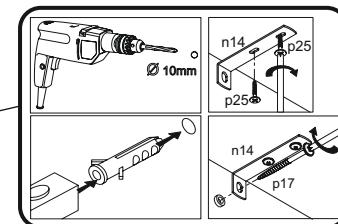
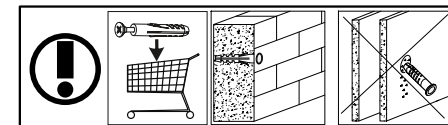


8

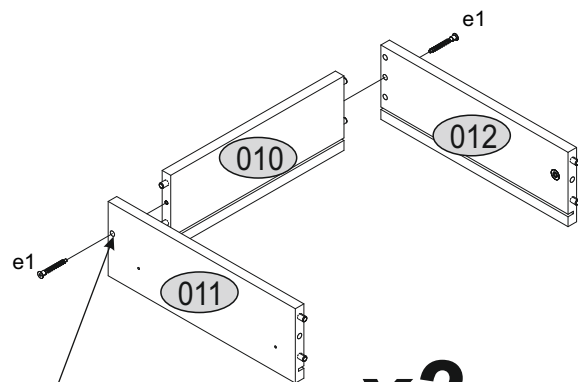
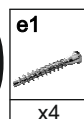


9

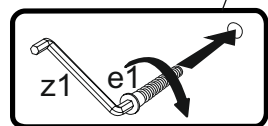
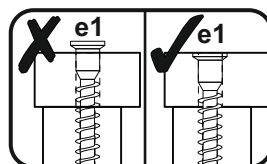
p25	l2	n260.01	n14	f3	p17
x15	x10	x3	x1	x1	x1



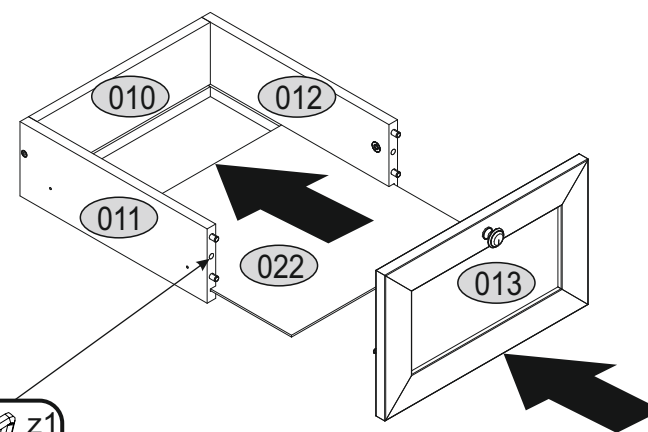
10



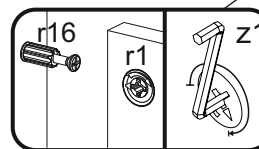
x2



11

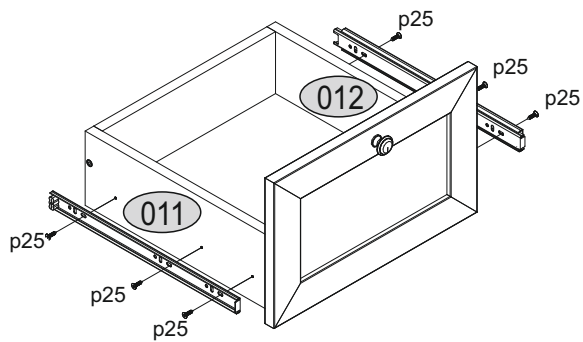


x2



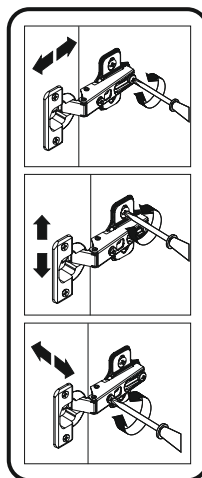
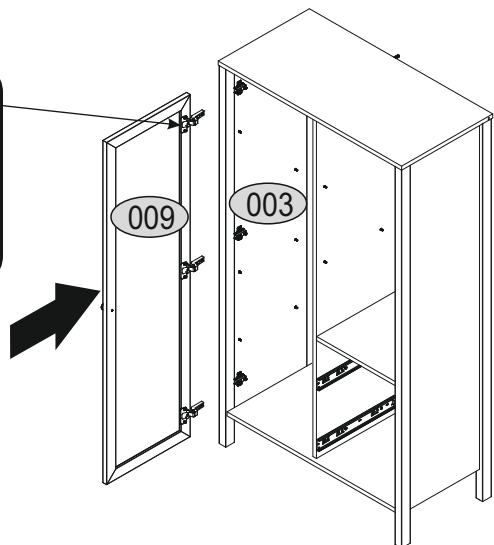
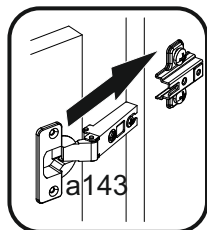
12

p25	L-350
x12	x2



x2

13



14

s2
x10

