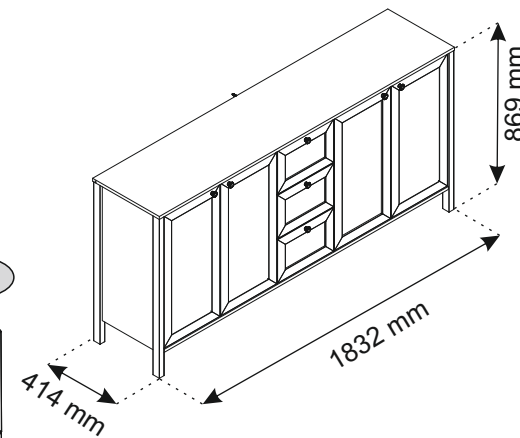
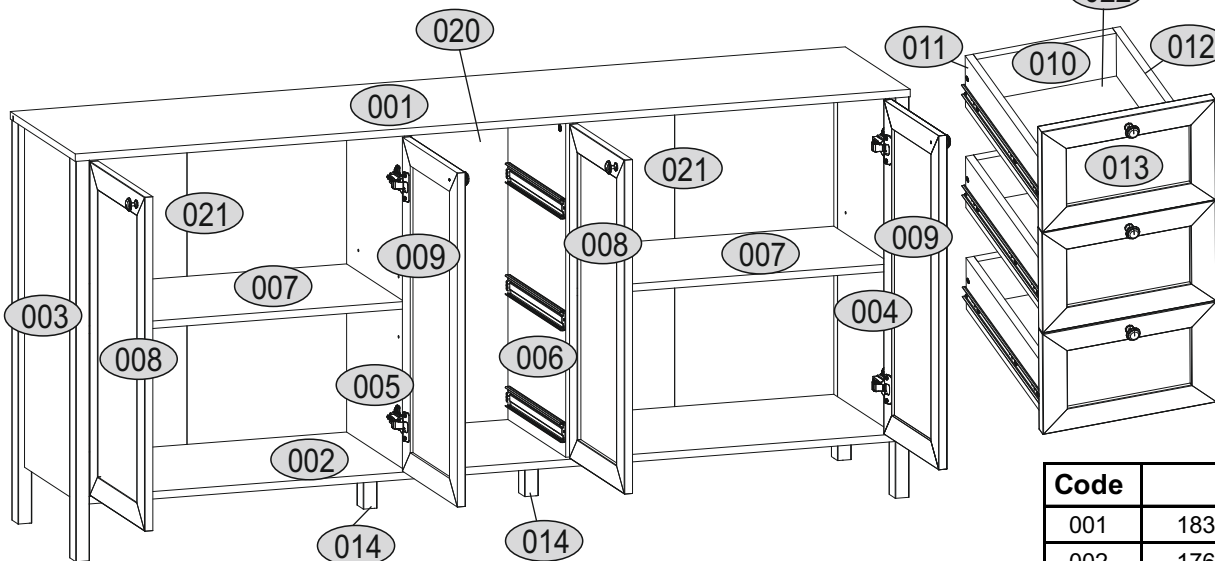
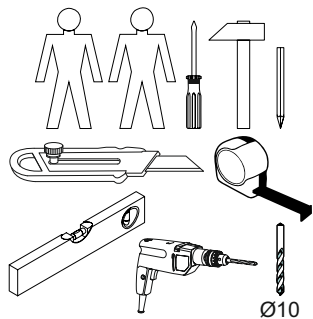
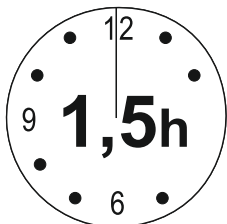
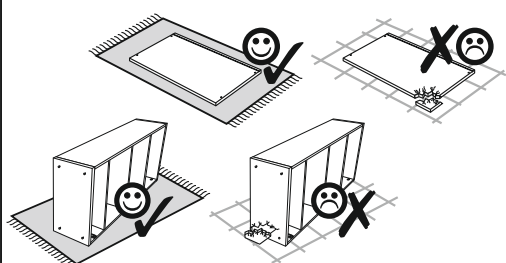
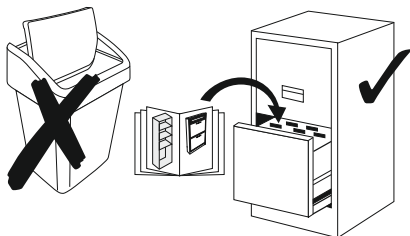


# Installation manual







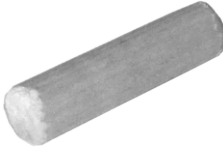

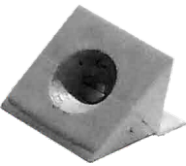











## Klark Chest 4D3S

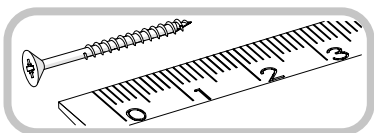


Code	Dimensions			Package	
001	1832	414	16	1	2/2
002	1768	400	16	1	2/2
003	853	408	30	1	1/2
004	853	408	30	1	1/2
005	717	368	16	1	2/2
006	717	368	16	1	2/2
007	699	367	16	2	1/2
008	711	350	18	2	1/2
009	711	350	18	2	1/2
010	281	120	16	3	2/2
011	350	120	16	3	2/2
012	350	120	16	3	2/2
013	350	235	18	3	1/2
014	120	40	30	2	1/2
020	735	354	3	1	1/2
021	735	716	3	2	1/2
022	349	299	3	3	1/2
accessories				1	1/2



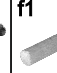




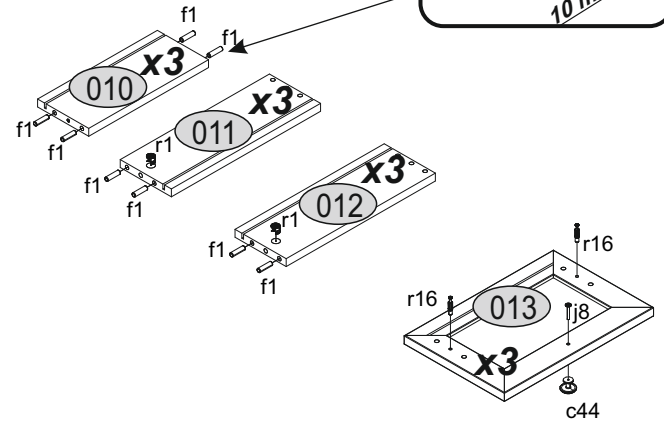
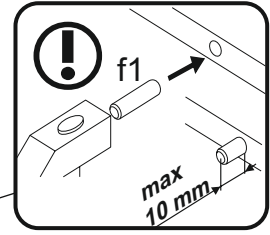
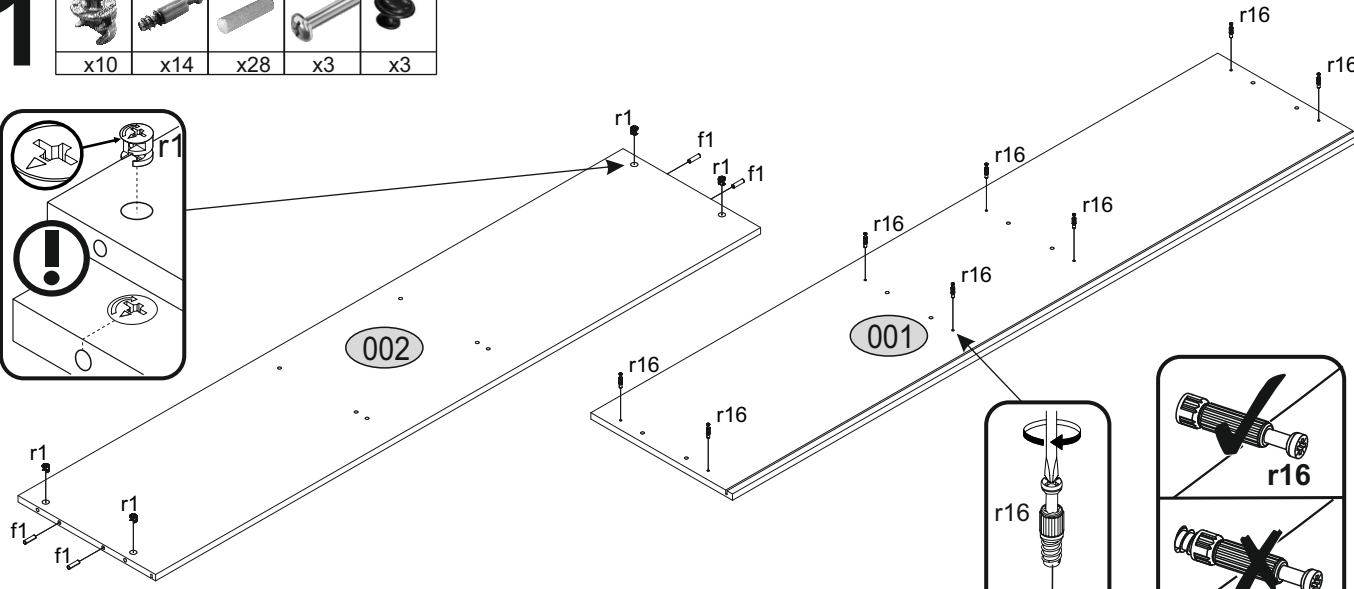
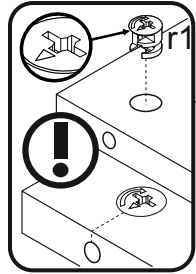
# Accessories:

<p>4x a143</p> 	<p>4x a145</p> 	<p>8x b119</p> 	<p>7x c44</p> 
<p>8x d1</p> 	<p>12x e1 Ø7x50</p> 	<p>40x f1 Ø8x30</p> 	<p>1x f3</p> 
<p>13x l2</p> 	<p>3x lb L-350</p> 	<p>1x n14</p> 	<p>4x n260.01</p> 
<p>1x p17</p> 	<p>71x p25</p> 	<p>7x j8</p> 	<p>18x r1 Ø15x12</p> 
<p>18x r16 Ø5x24</p> 	<p>12x s2</p> 	<p>16x s4</p> 	<p>1x z1</p> 




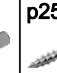




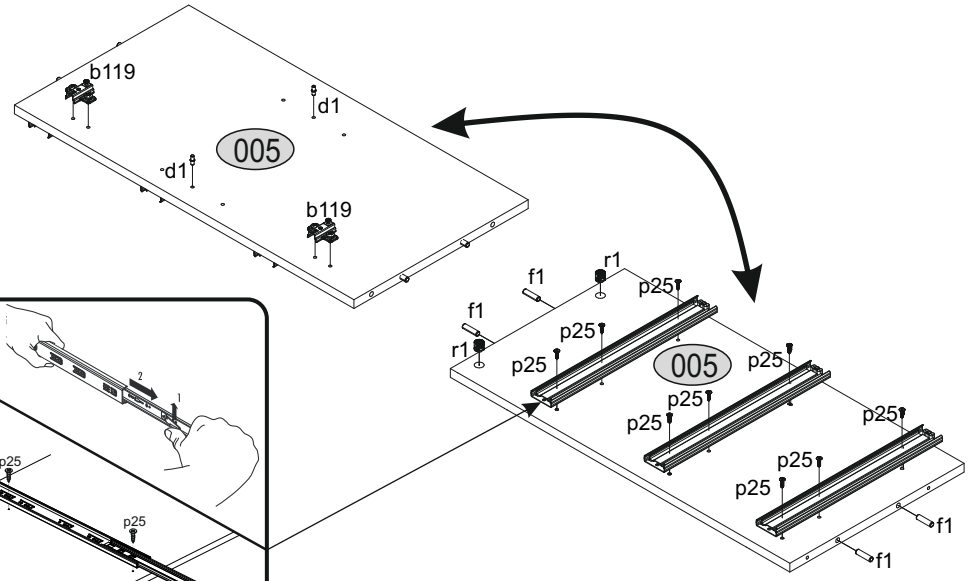
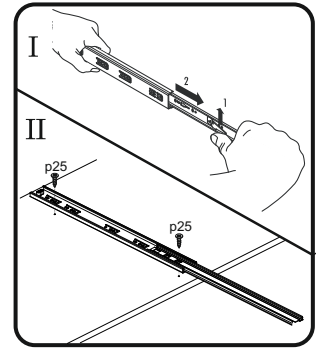
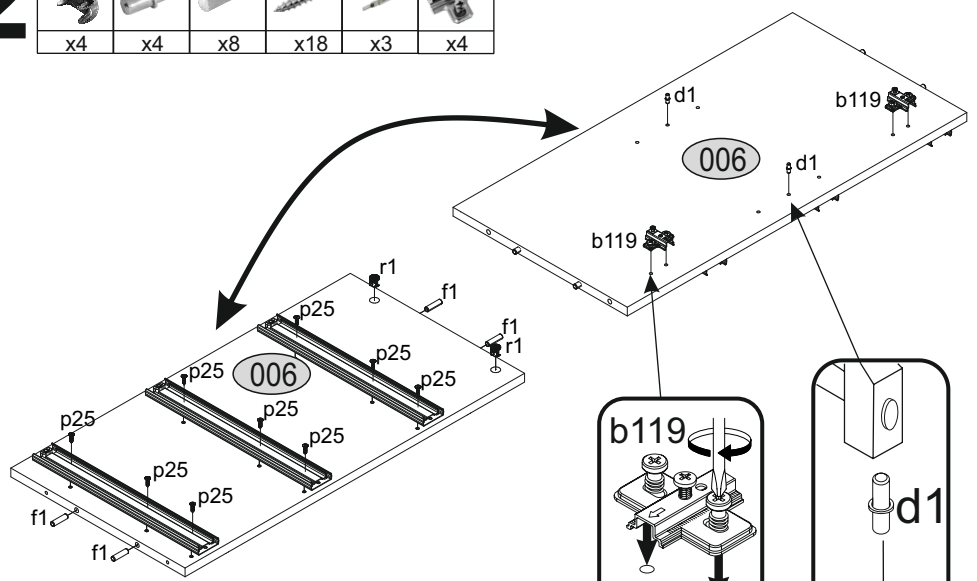
# 1

				
x10	x14	x28	x3	x3




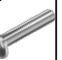



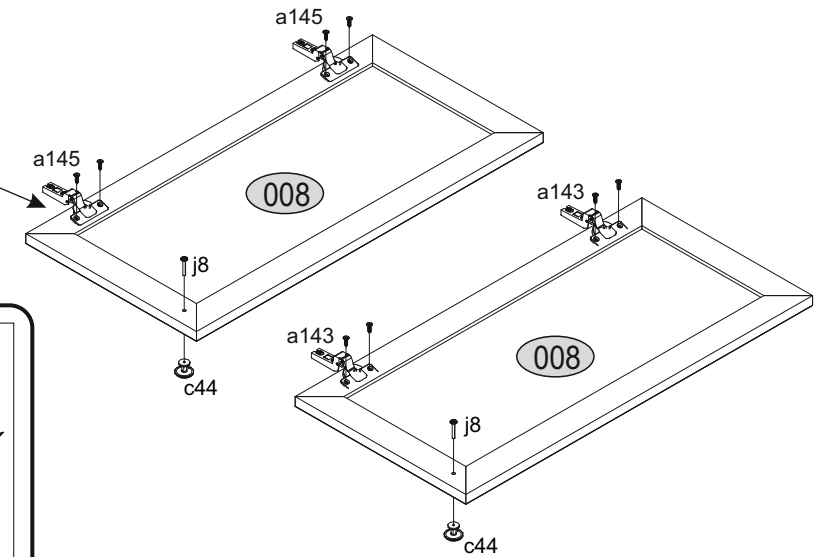
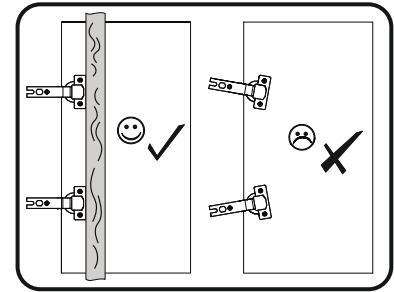
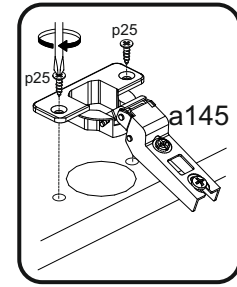
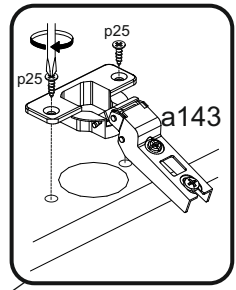
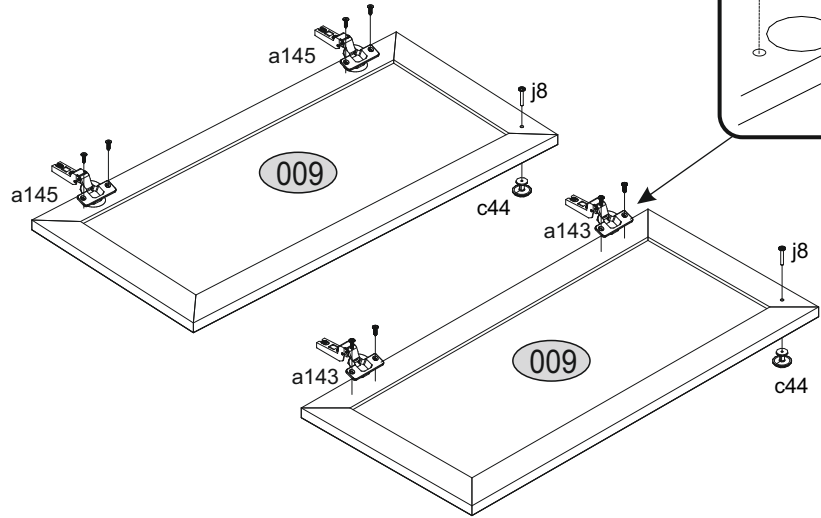
# 2

					
x4	x4	x8	x18	x3	x4



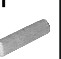
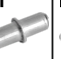



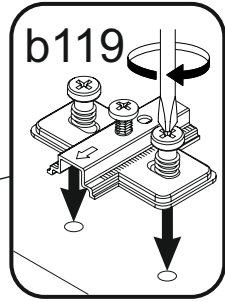
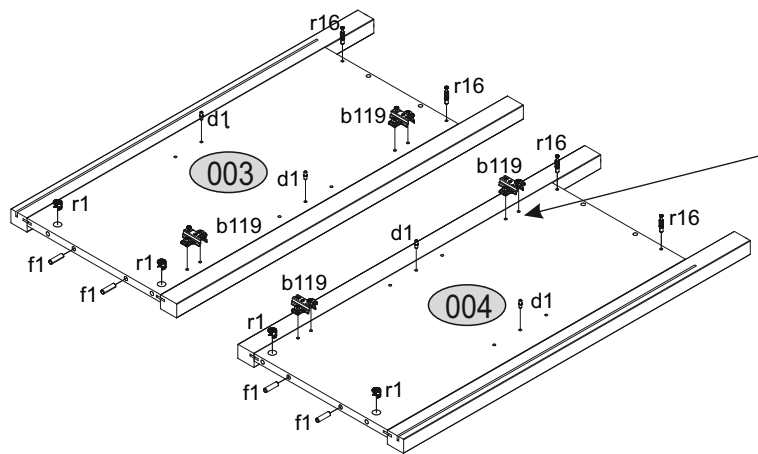
# 3

<b>a145</b> 	<b>a143</b> 	<b>p25</b> 	<b>j8</b> 	<b>c44</b> 
x4	x4	x16	x4	x4




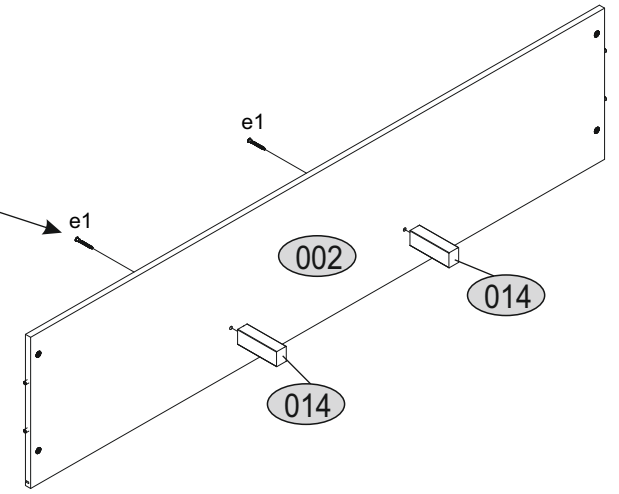
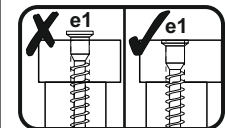
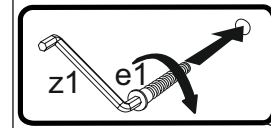
# 4

<b>r1</b> 	<b>r16</b> 	<b>f1</b> 	<b>d1</b> 	<b>b119</b> 
x4	x4	x4	x4	x4

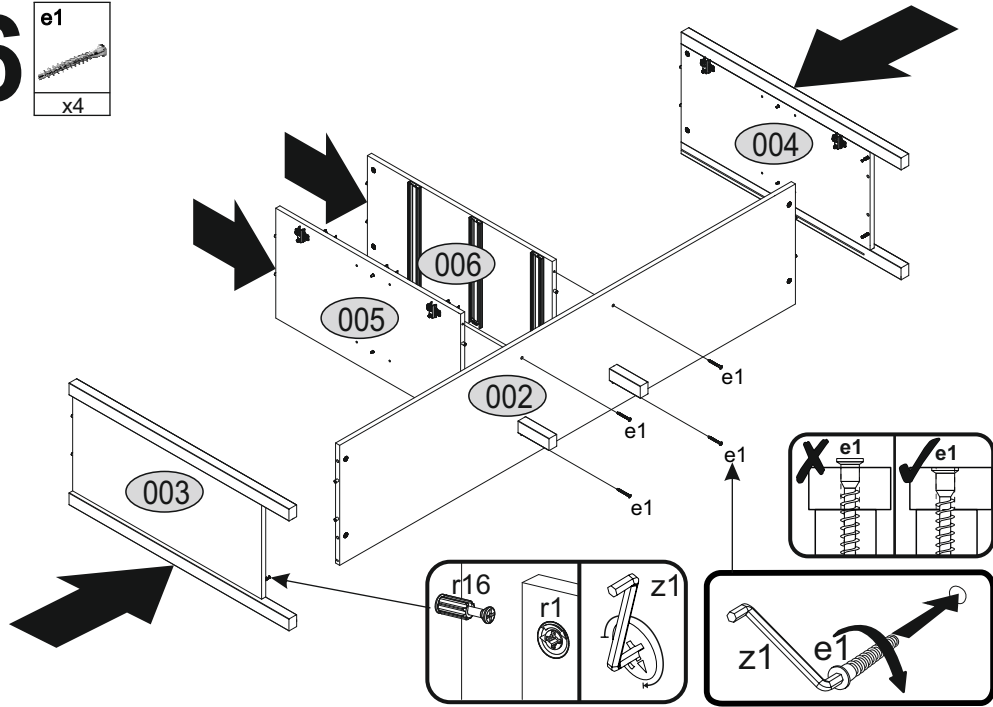
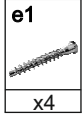


# 5

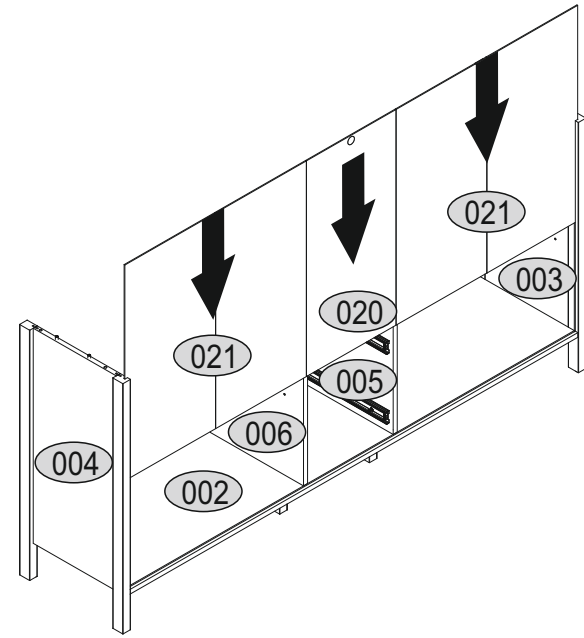
<b>e1</b> 
x2



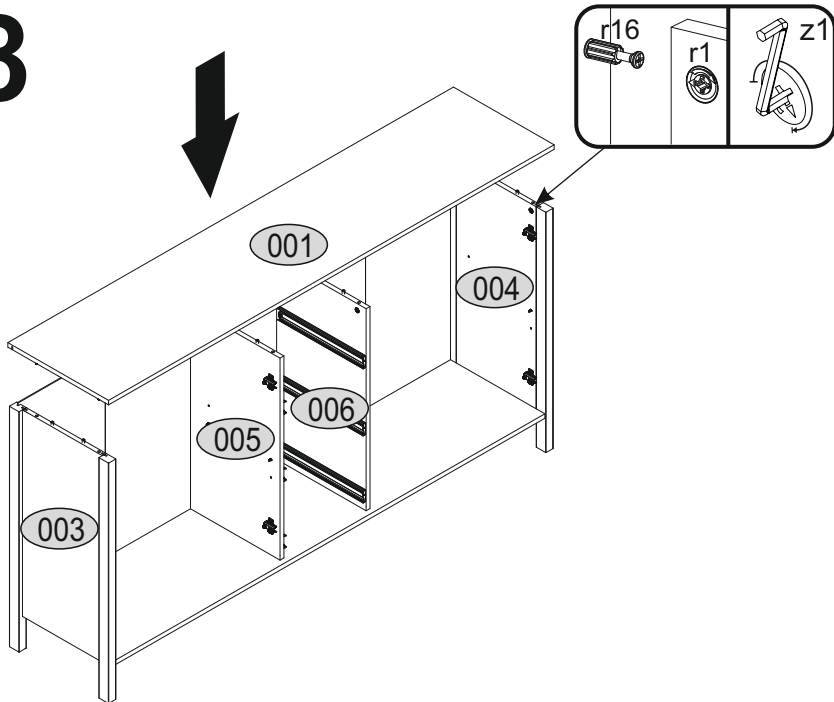
# 6



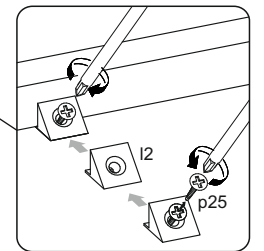
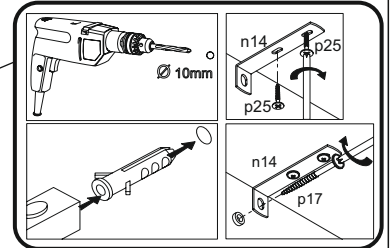
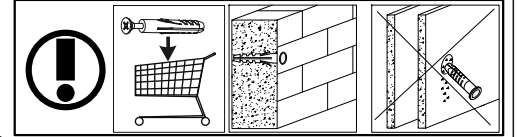
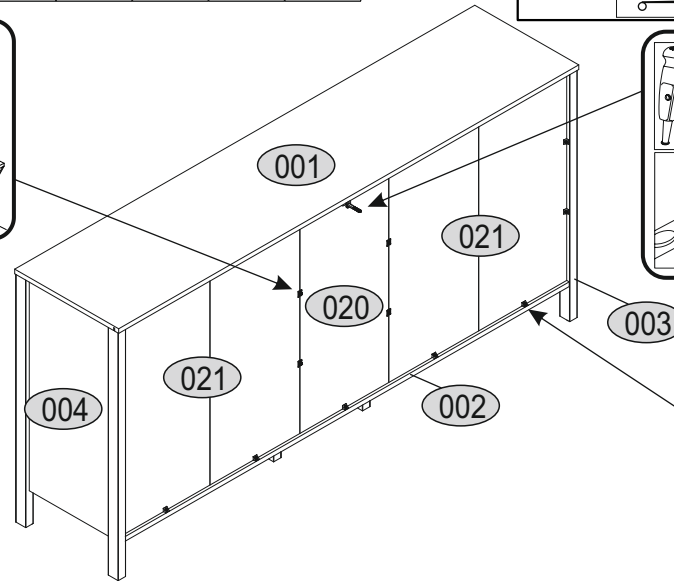
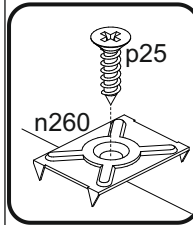
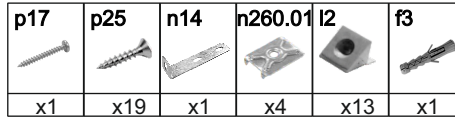
# 7



# 8

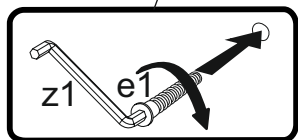
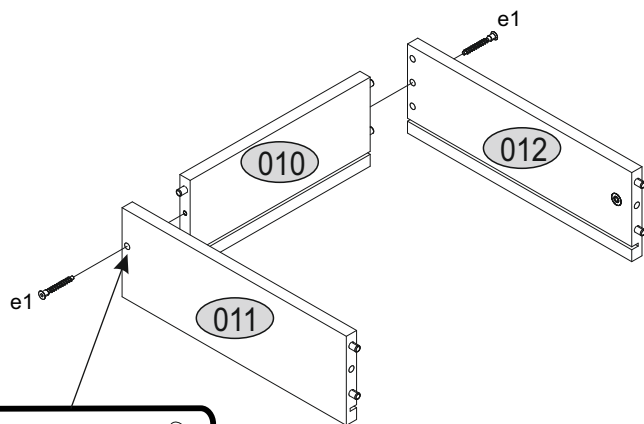
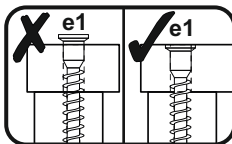


# 9



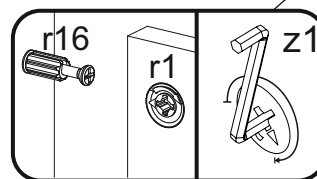
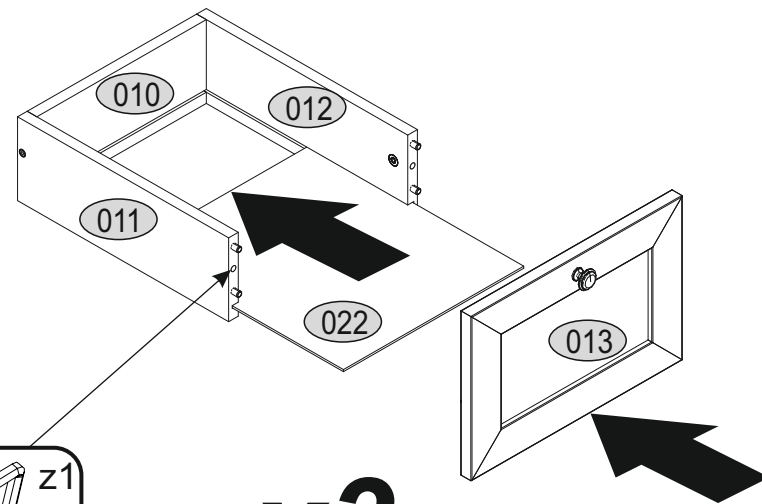
# 10

e1
x6



# x3

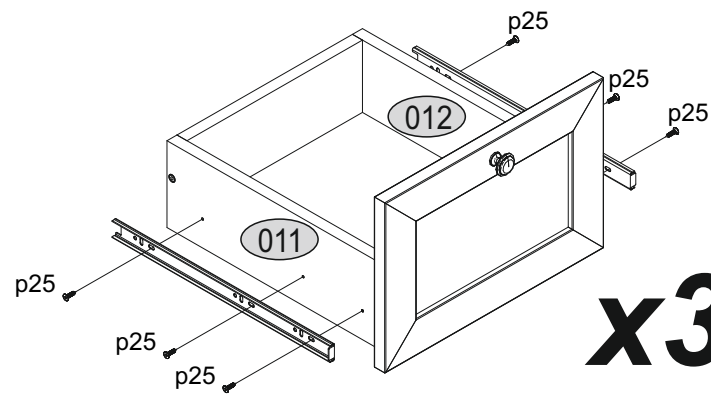
# 11



# x3

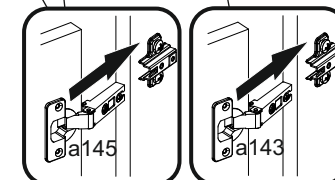
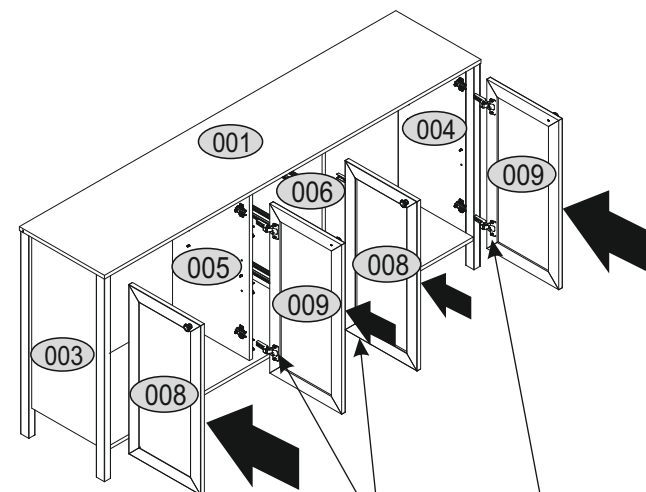
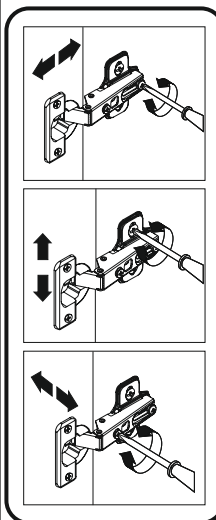
# 12

p25	Lb-350
x18	x3

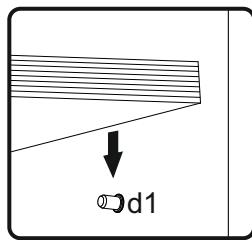
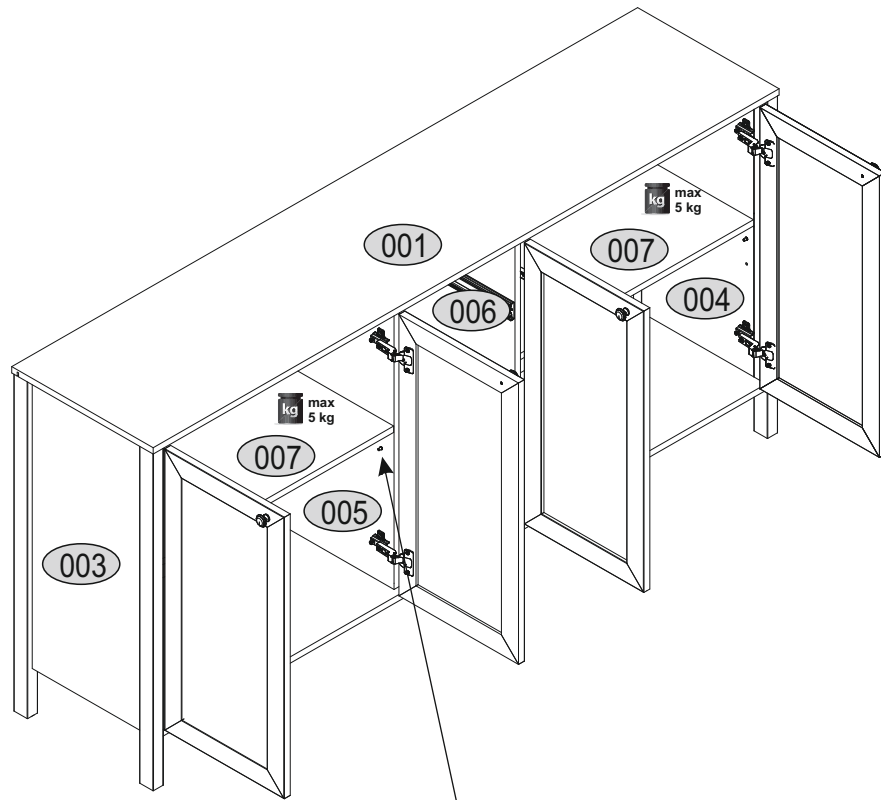


# x3

# 13



# 14



# 15

s4	s2
x16	x12

