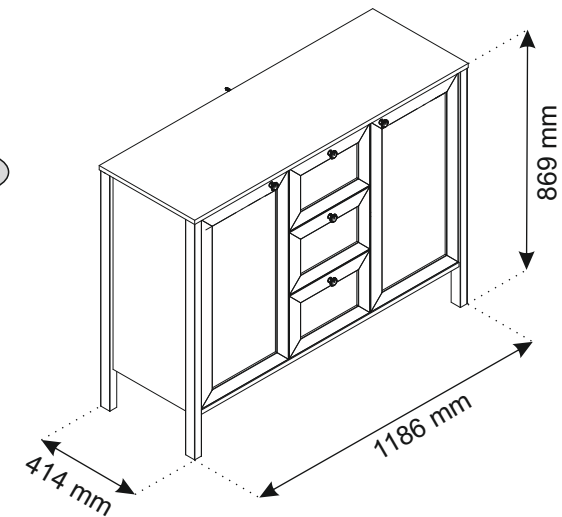
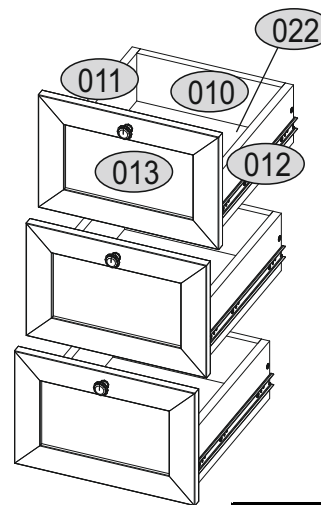
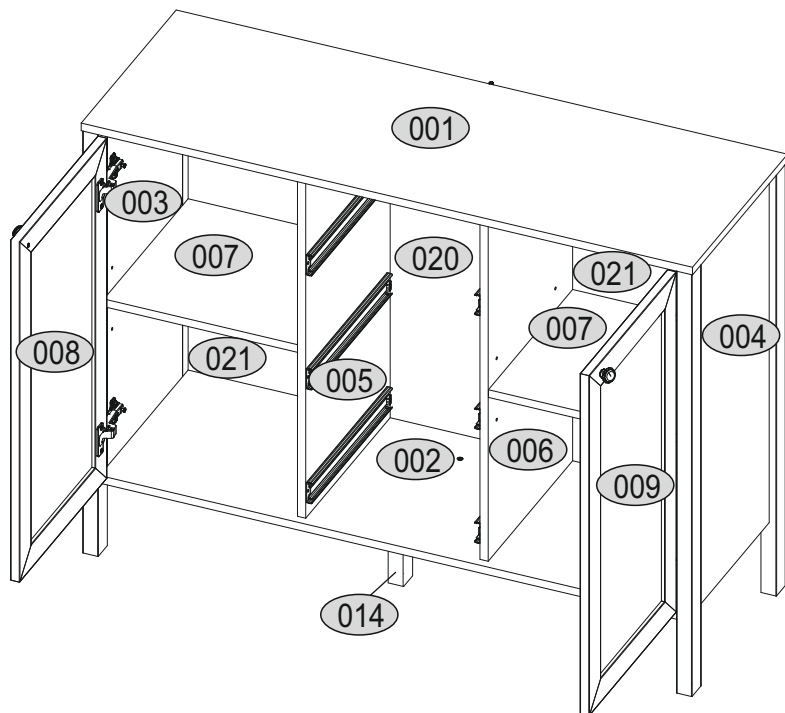
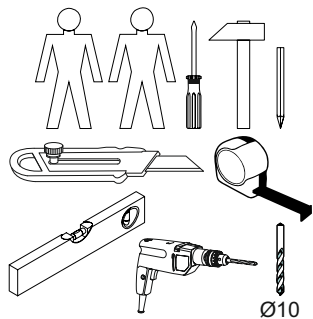
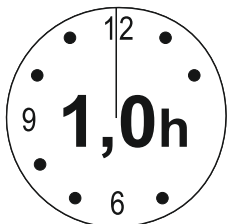
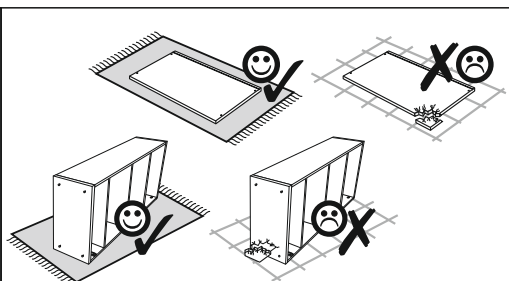
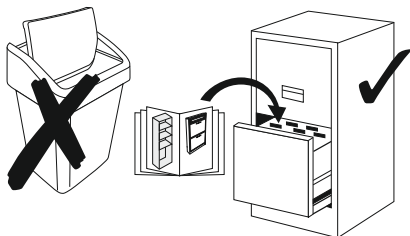


Installation manual







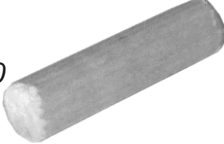

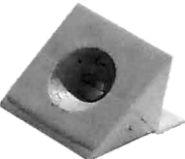










Klark Chest 2D3S

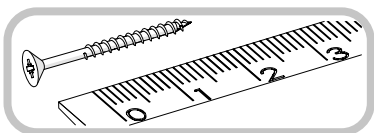


Code	Dimensions			Package	
001	1186	414	16	1	1/2
002	1122	400	16	1	1/2
003	853	408	30	1	2/2
004	853	408	30	1	2/2
005	717	368	16	1	1/2
006	717	368	16	1	1/2
007	376	367	16	2	1/2
008	711	380	18	1	2/2
009	711	380	18	1	2/2
010	281	120	16	3	1/2
011	350	120	16	3	1/2
012	350	120	16	3	1/2
013	350	235	18	3	2/2
014	120	40	30	1	2/2
020	735	354	3	1	2/2
021	735	393	3	2	2/2
022	349	299	3	3	2/2
accessories				1	1/2



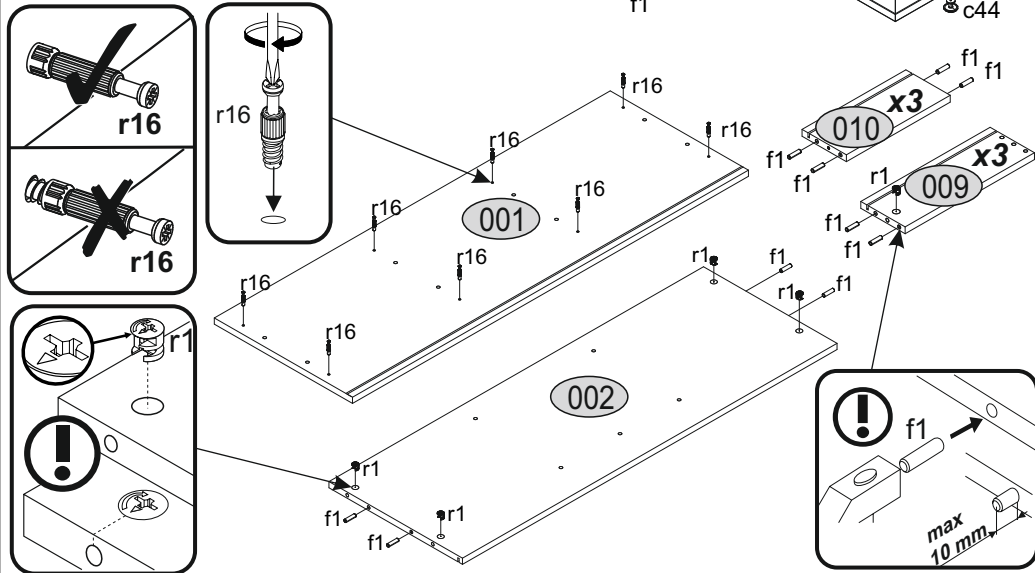
Accessories:

<p>4x a143</p> 	<p>4x b119</p> 	<p>5x c44</p> 	<p>1x z1</p> 
<p>8x d1</p> 	<p>11x e1 Ø7x50</p> 	<p>40x f1 Ø8x30</p> 	<p>1x f3</p> 
<p>9x l2</p> 	<p>3x lb L-350</p> 	<p>1x n14</p> 	<p>4x n260.01</p> 
<p>1x p17</p> 	<p>59x p25</p> 	<p>5x j8</p> 	<p>18x r1 Ø15x12</p> 
<p>18x r16 Ø5x24</p> 	<p>12x s2</p> 	<p>16x s4</p> 	



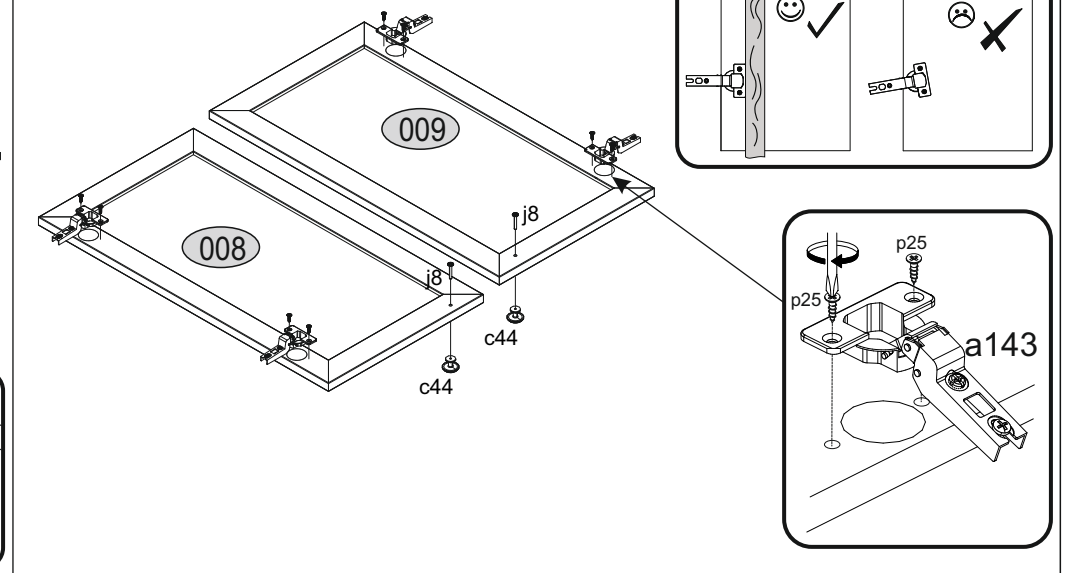
1

r1	r16	f1	j8	c44
x10	x14	x28	x3	x3



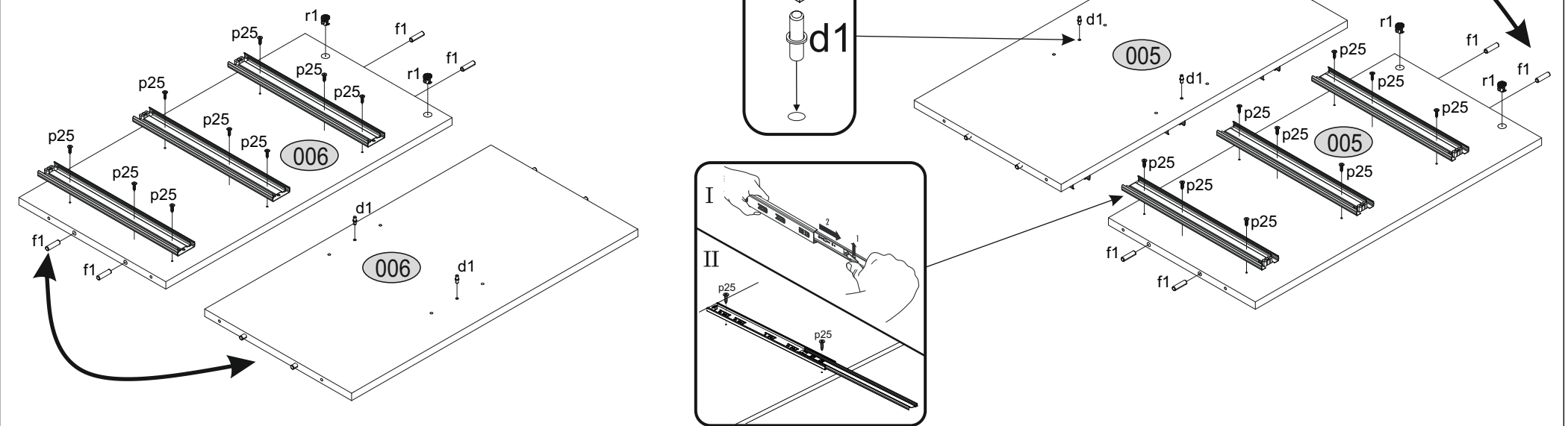
2

a143	p25	j8	c44
x4	x8	x2	x2



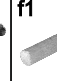
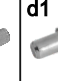
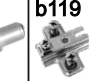


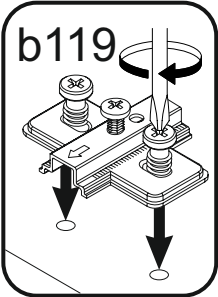
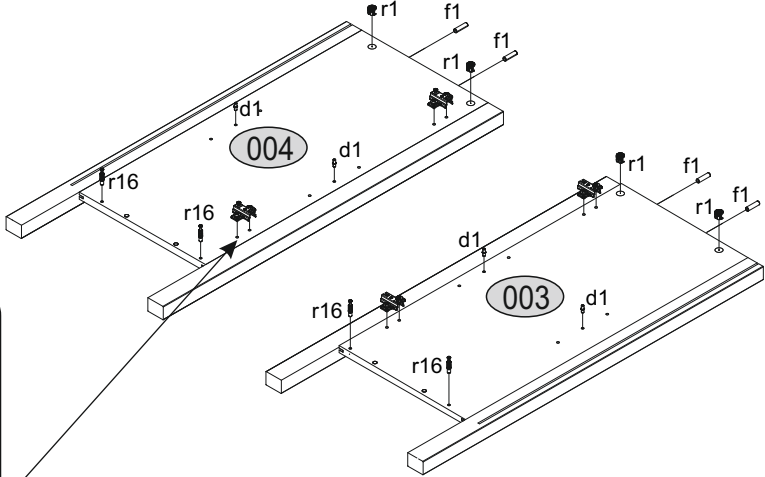
3

r1	d1	f1	p25	Lb-350
x4	x4	x8	x18	x3



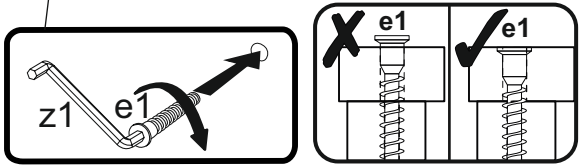
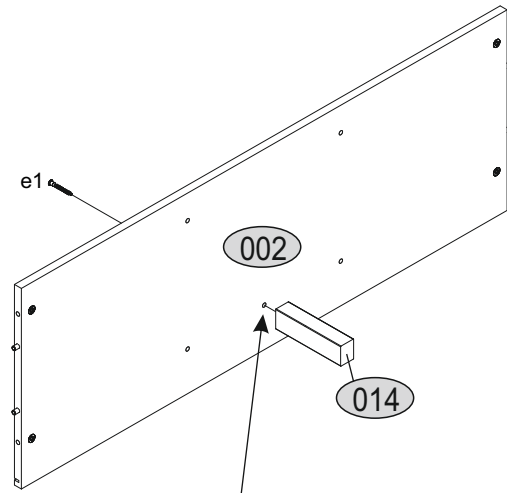
4

r1 	r16 	f1 	d1 	b119 
x4	x4	x4	x4	x4



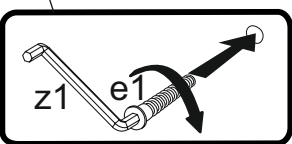
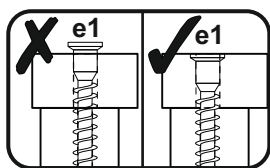
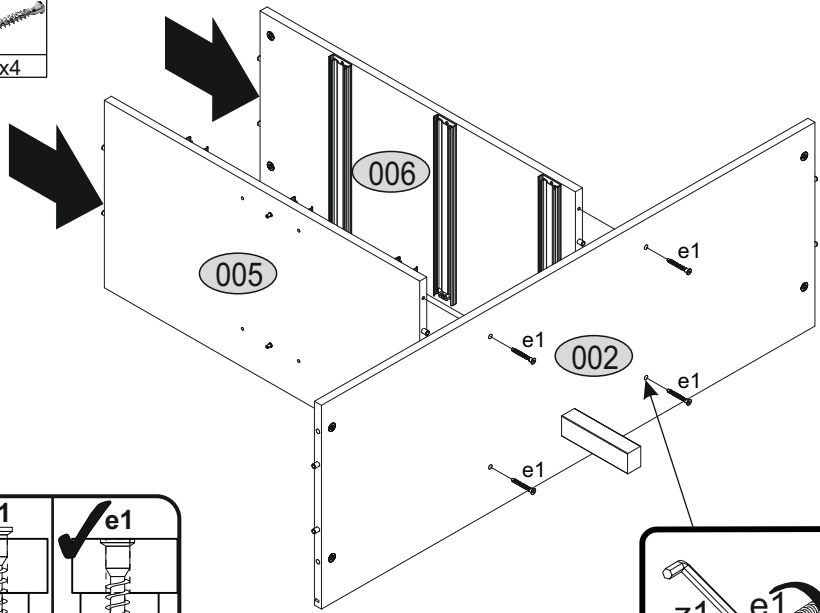
5

e1 
x1

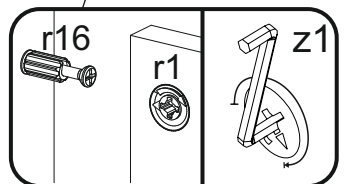
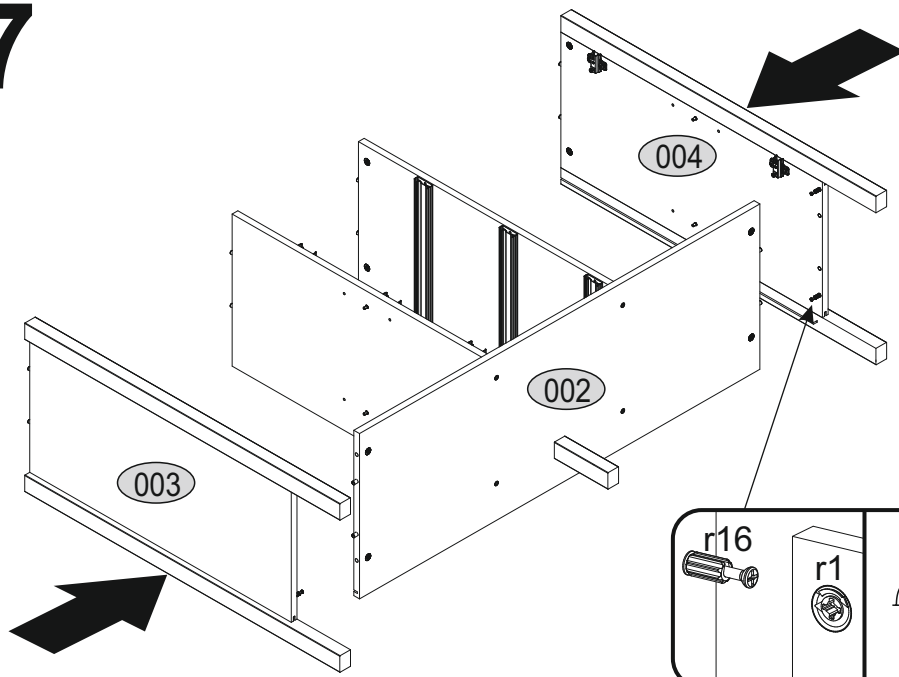


6

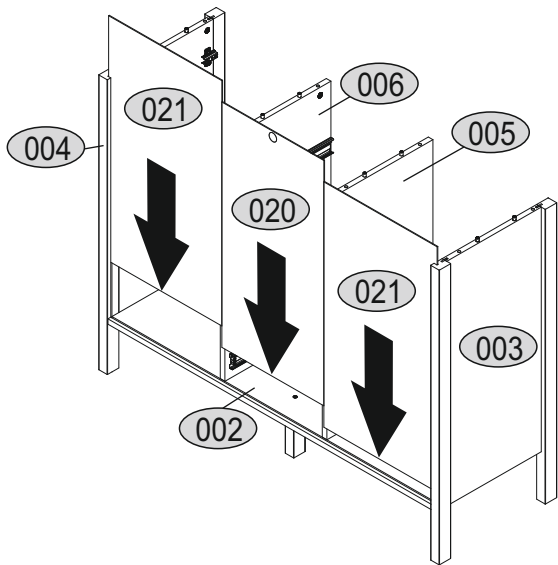
e1 
x4



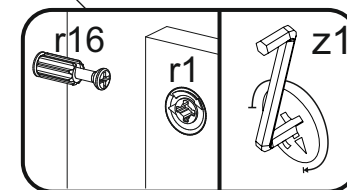
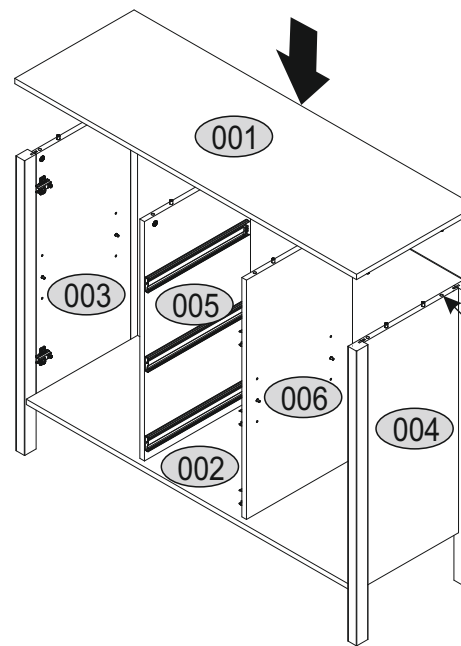
7



8

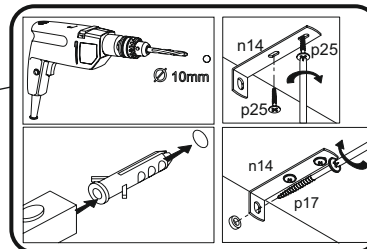
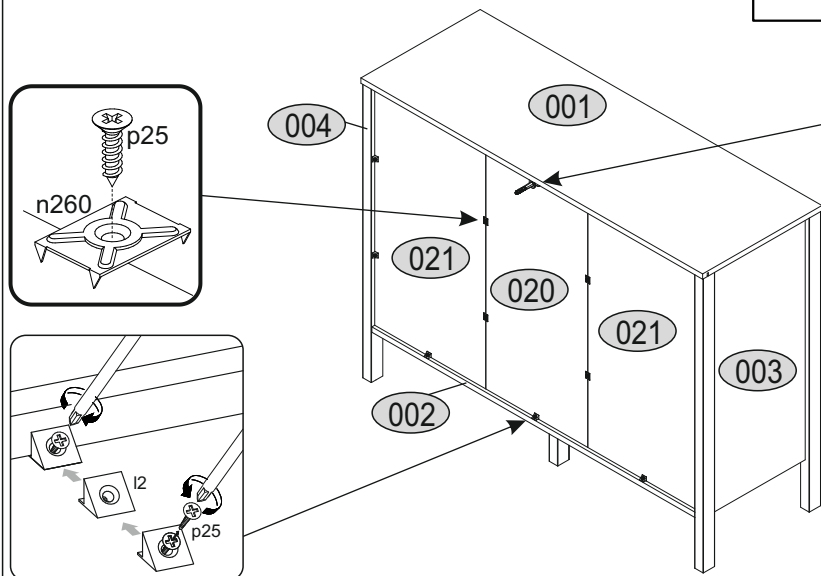
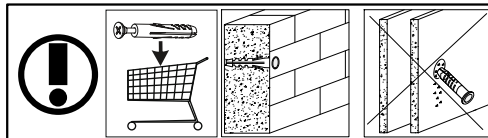


9



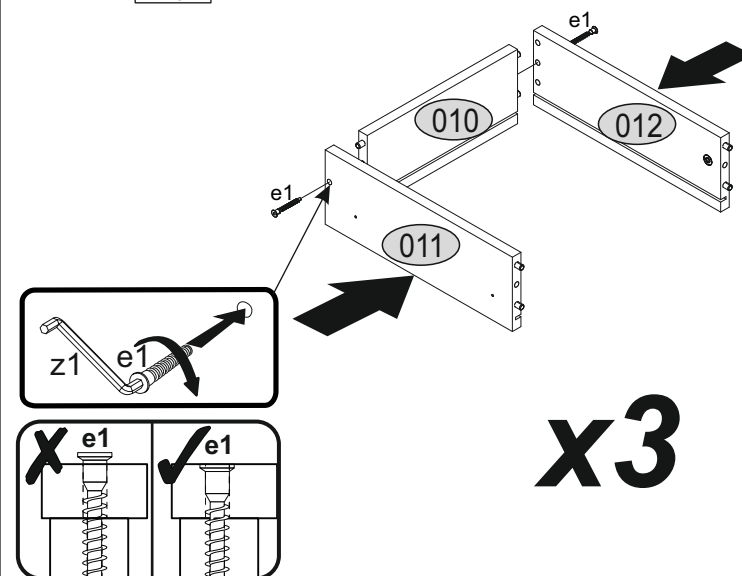
10

x1	x15	x1	x4	x9	x1



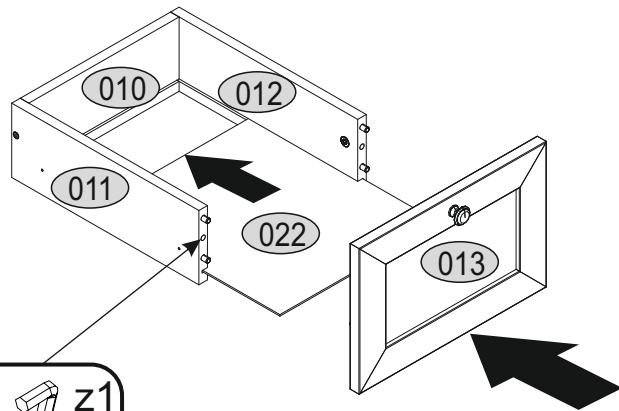
11

x6



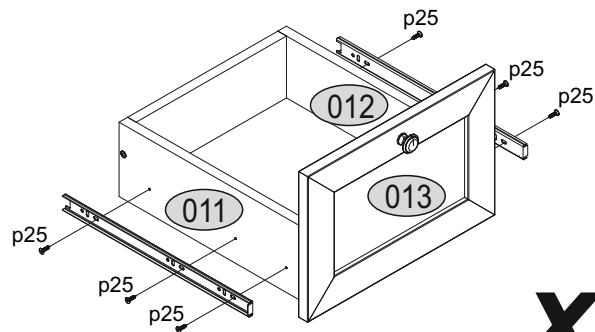
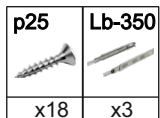
x3

12



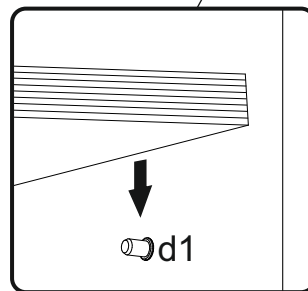
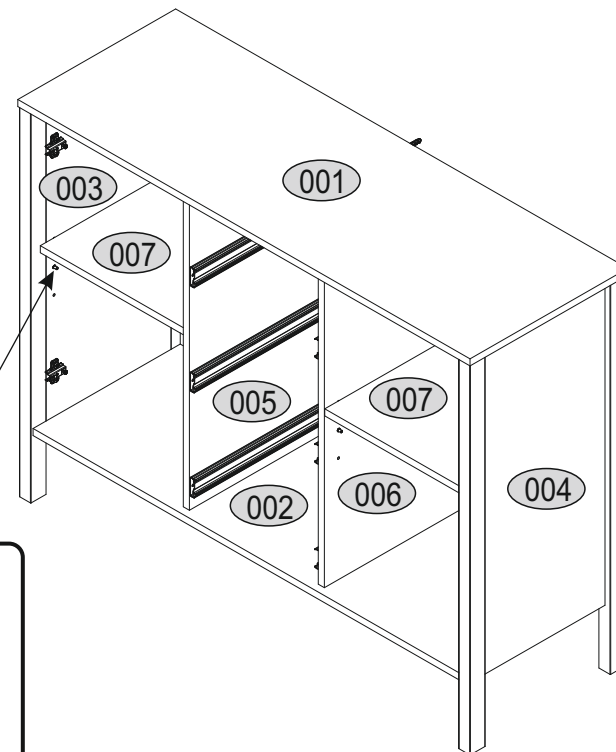
x3

13

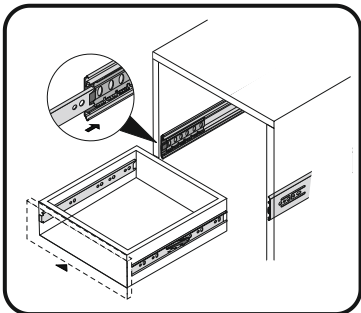
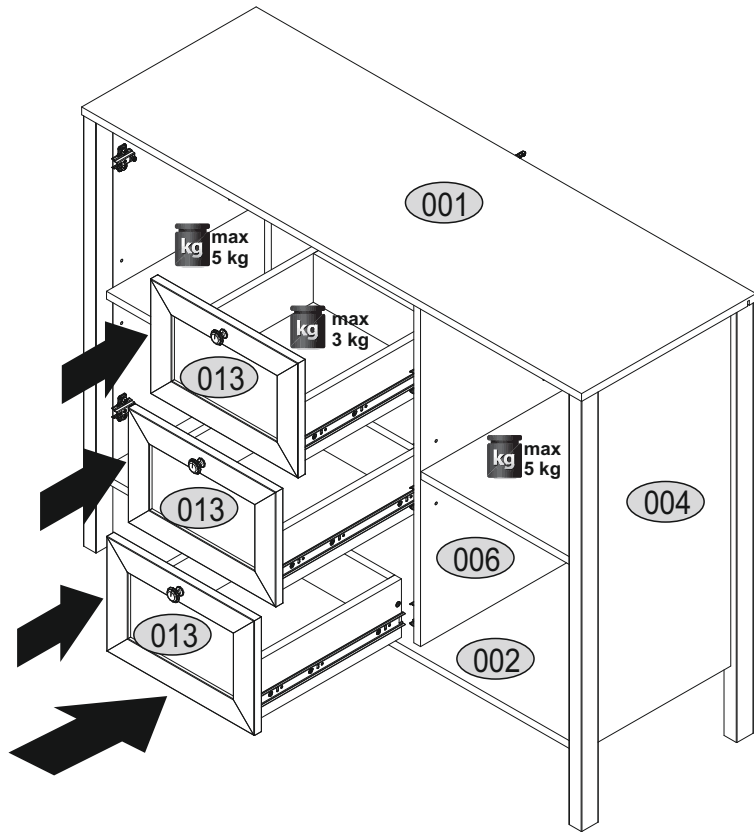


x3

14



15



16

s4	s2
x16	x12

