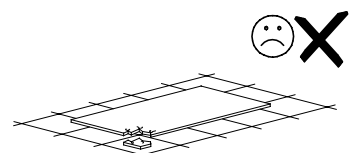
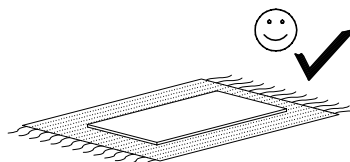
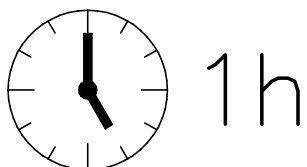
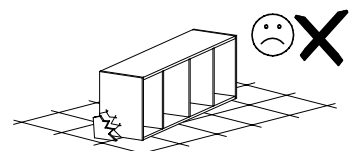
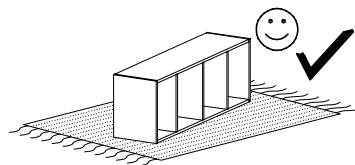
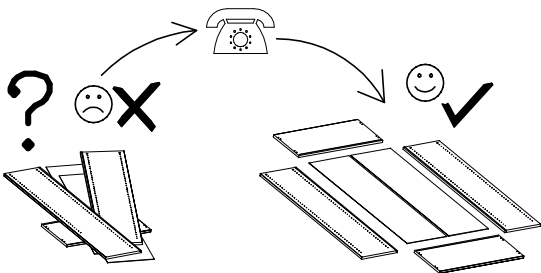
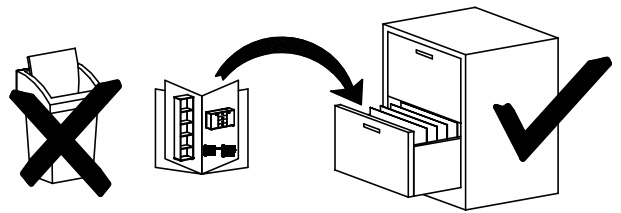
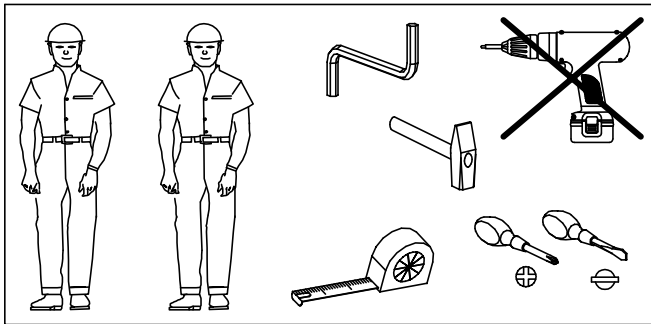
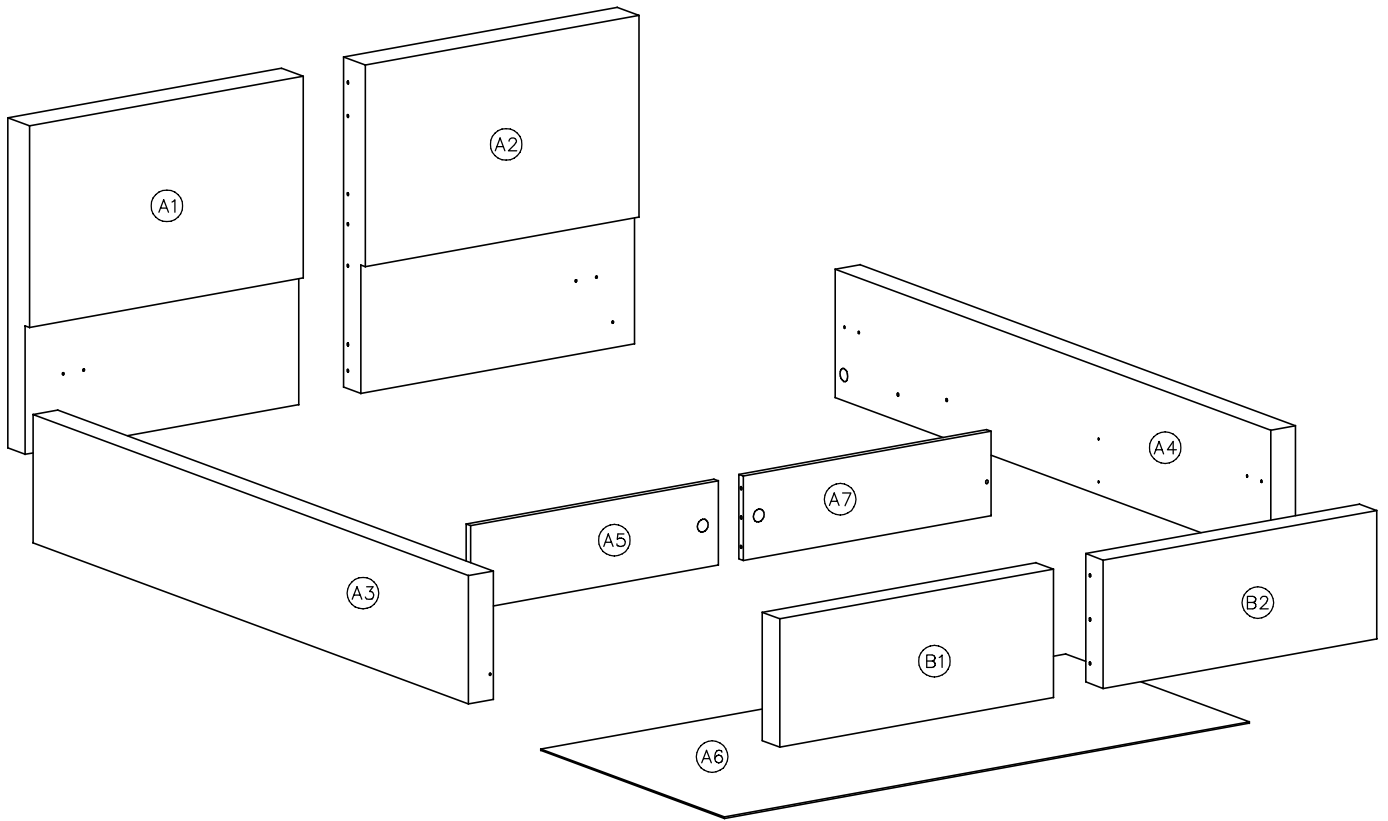
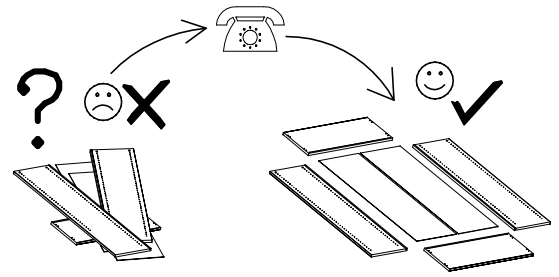
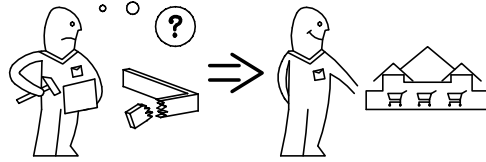
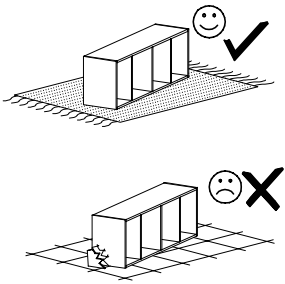
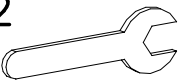


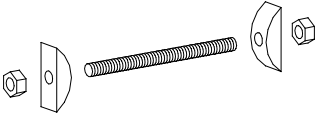
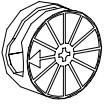
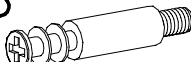
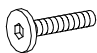
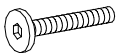

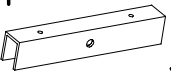
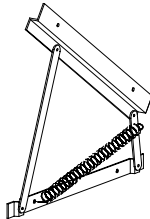
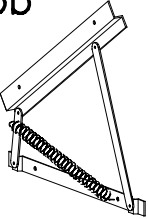
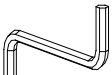

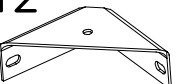
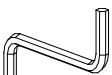

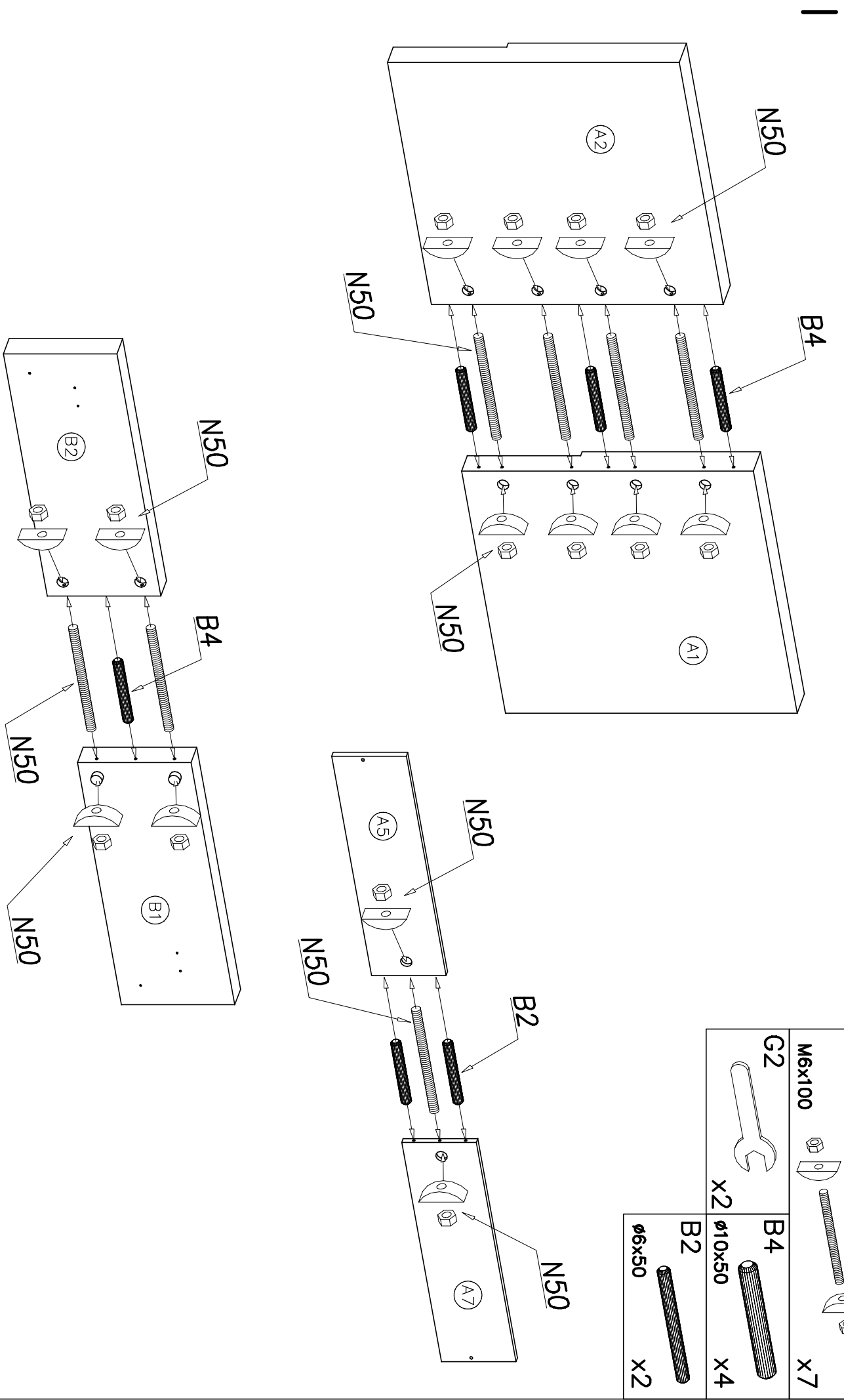



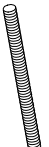



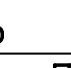





HILTON




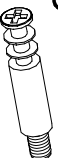
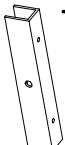



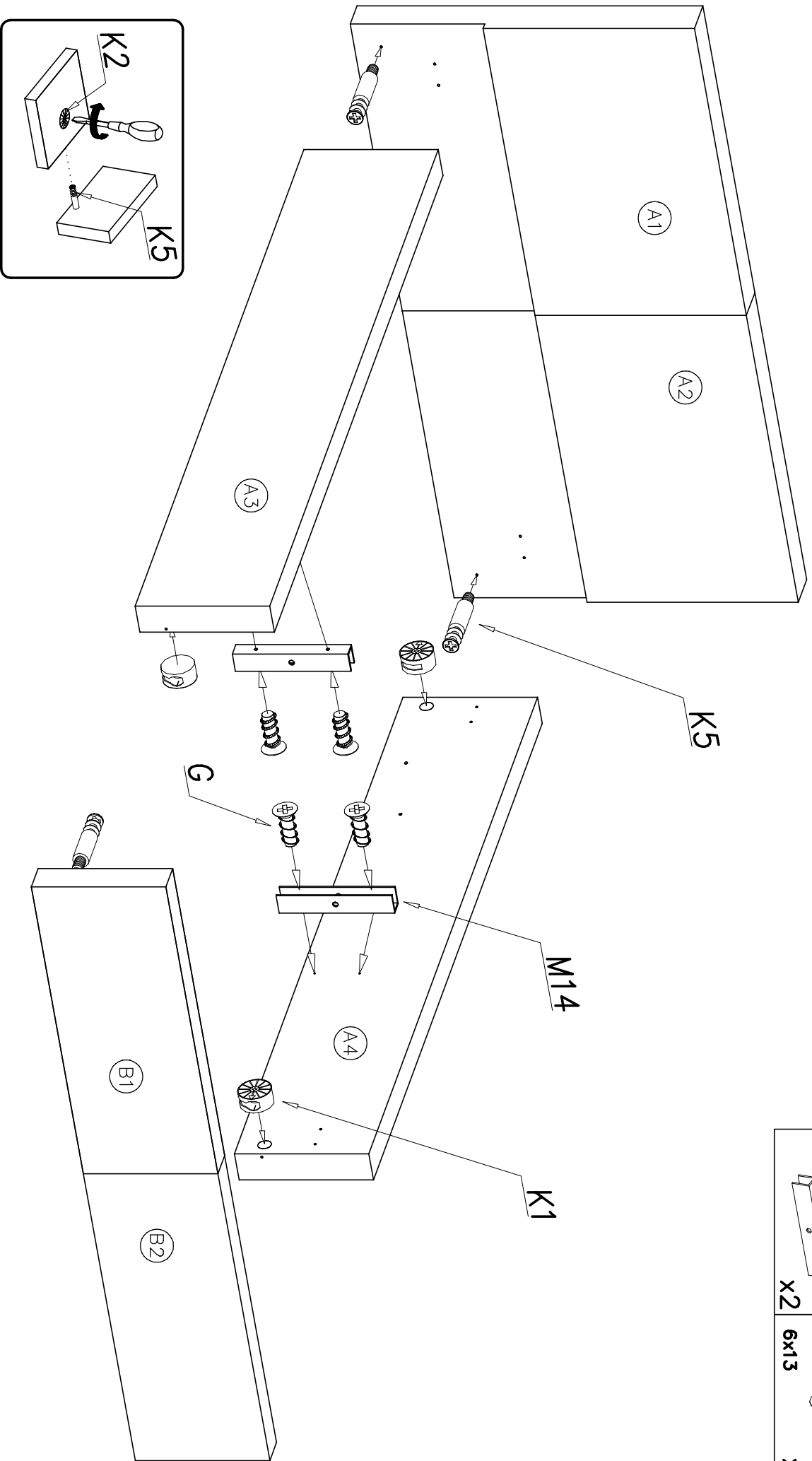
G2  x2	B2  ø6x50 x2	B4  ø10x50 x4	N50  M6x100 x7	
K2  x4	K5  x4	N30  M6x15 x16	N40  M6x20 x4	J  x50
M14  x2	L3a  x1	L3b  x1	G  4mm x1	E  6x13 x4
M12  x4			G1  6mm x1	D  M6x15 9x11 x2

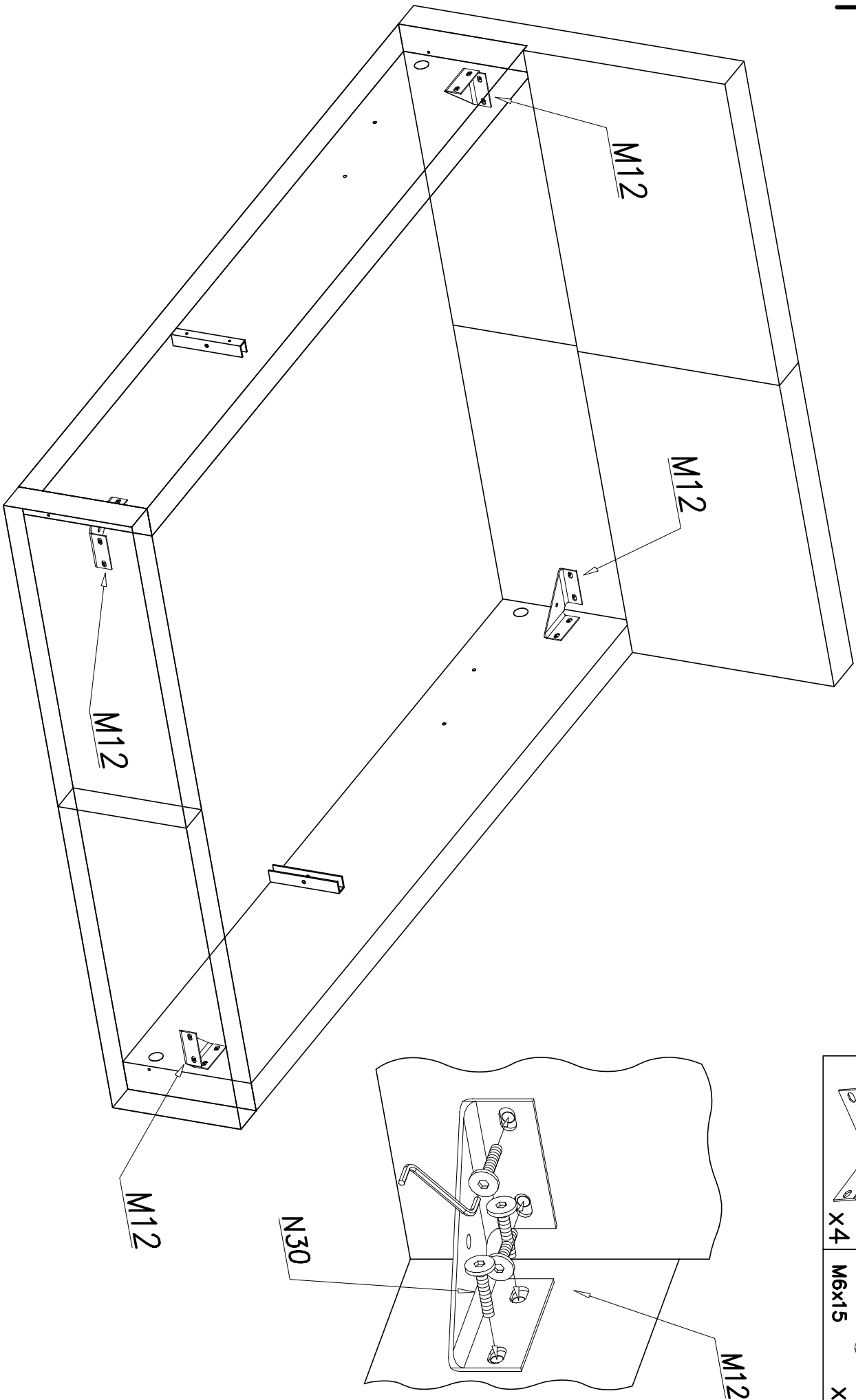


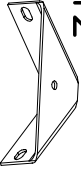
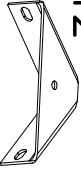

N50					x7
M6x100					
G2		x2	B4		x4
			B2		x2
				ø6x50	

||

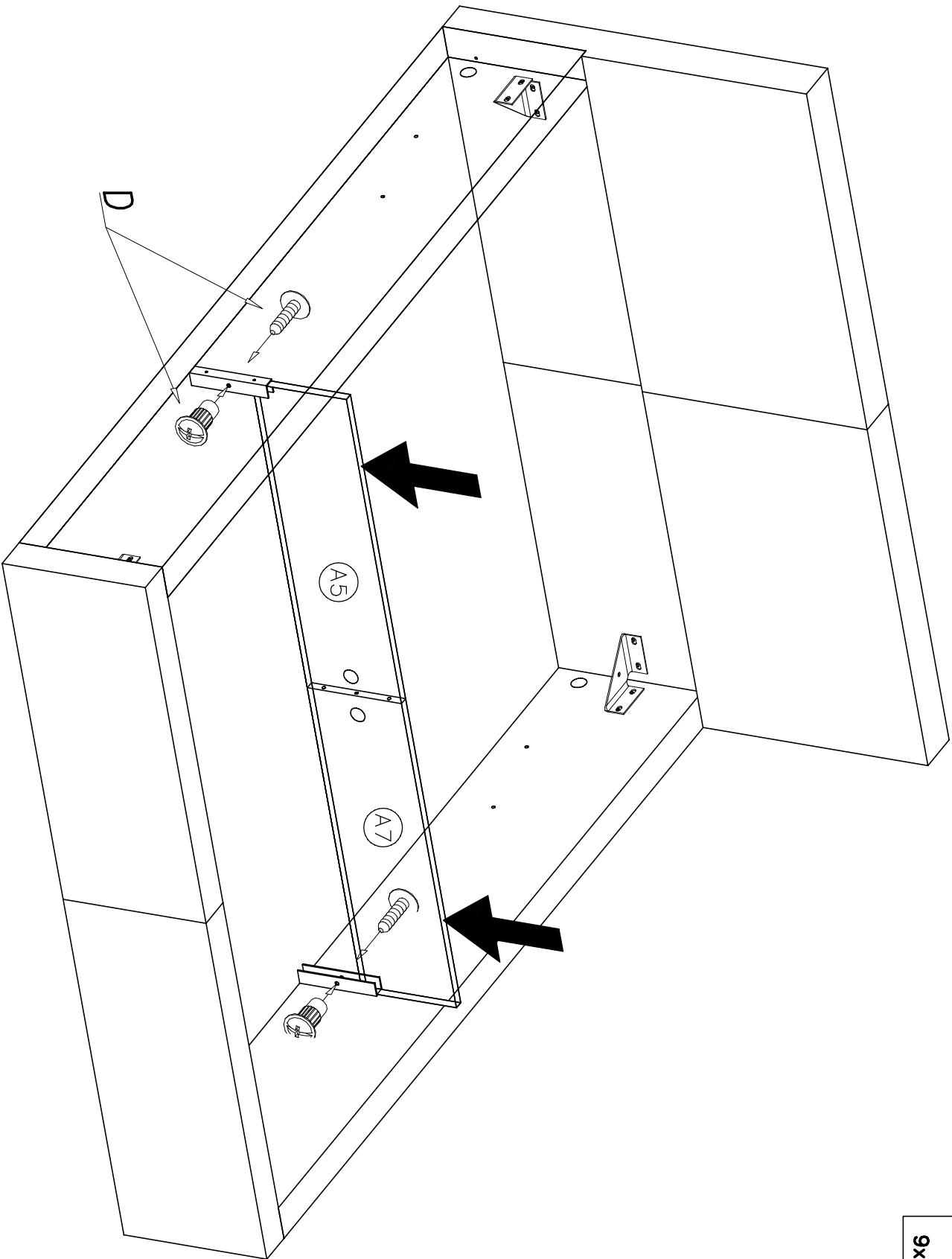
K2		K5	
x4	x4	E	x4
M14		6x13	
x2	x2		x4





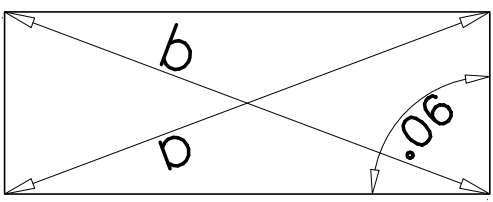
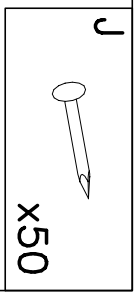
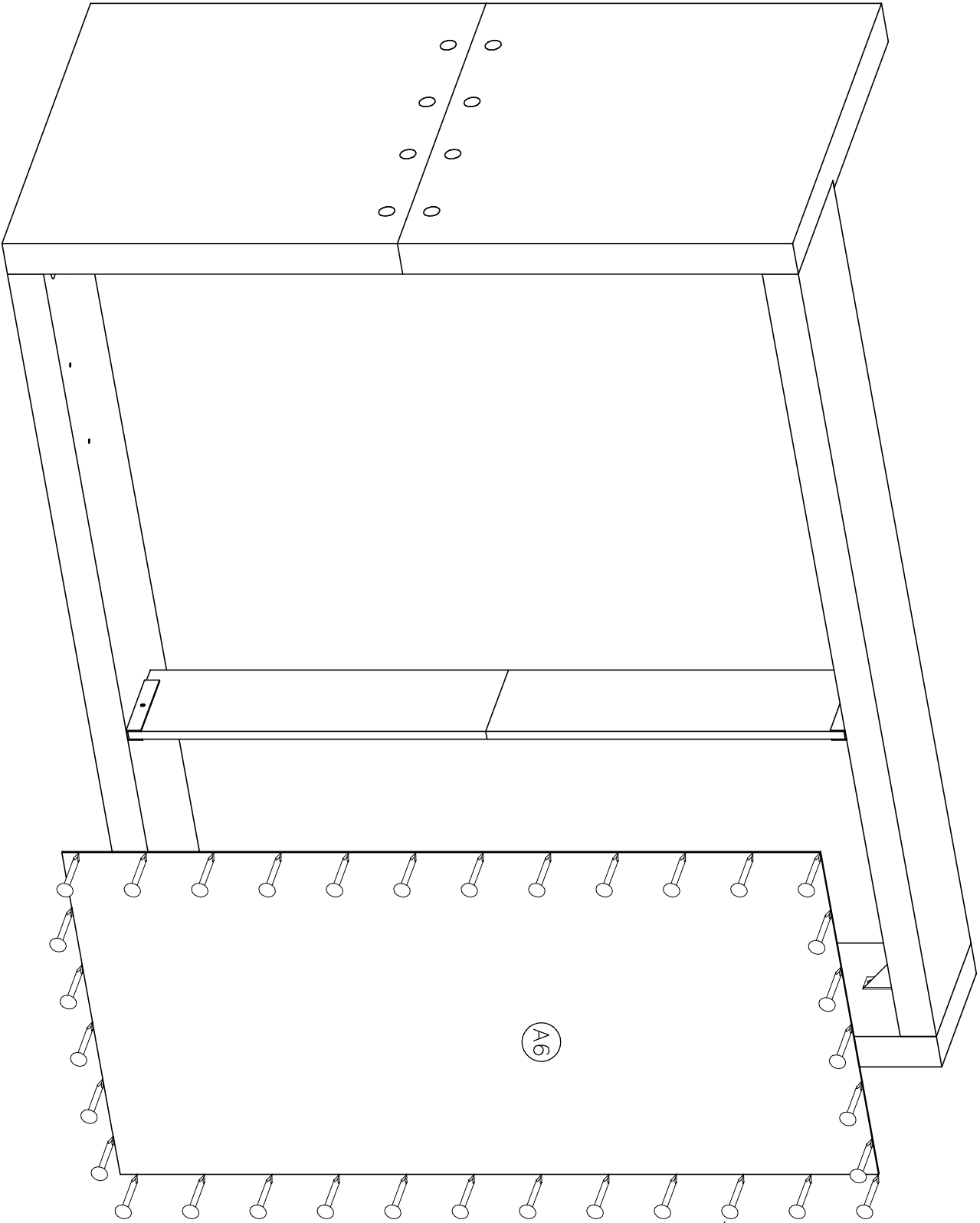
	M12		N30
x4		M6x15	
			M12
		x16	

IV



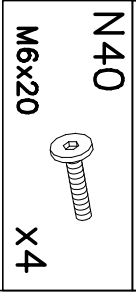
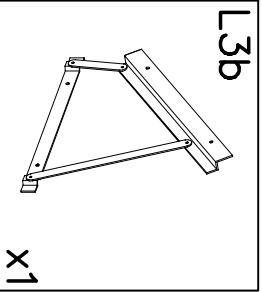
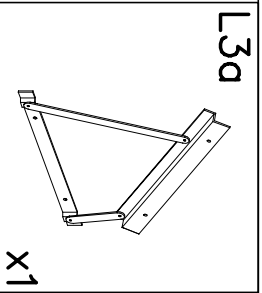
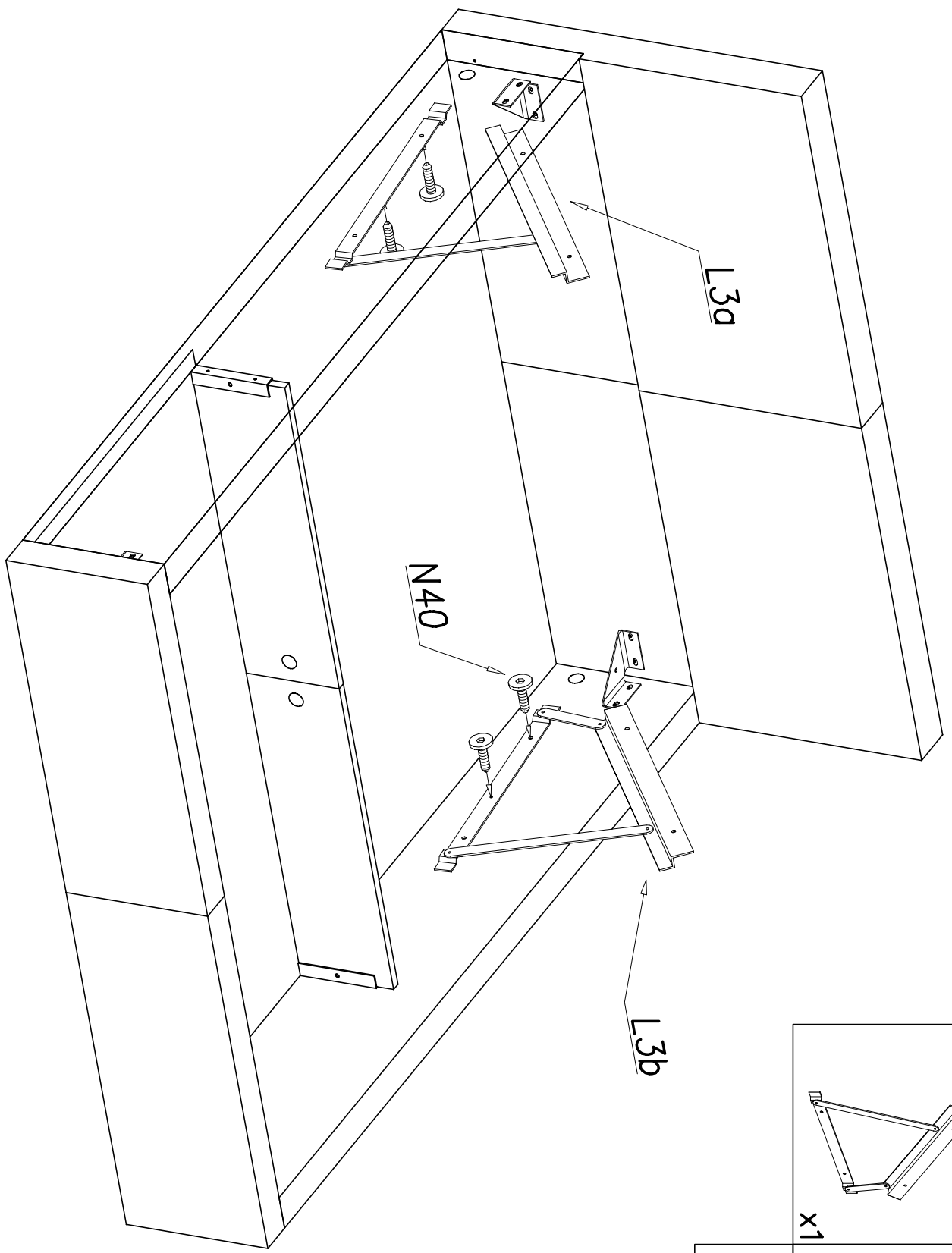
- D
- M6x15
- 9x11
- X2

V

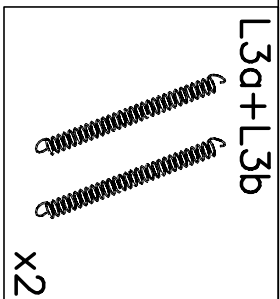
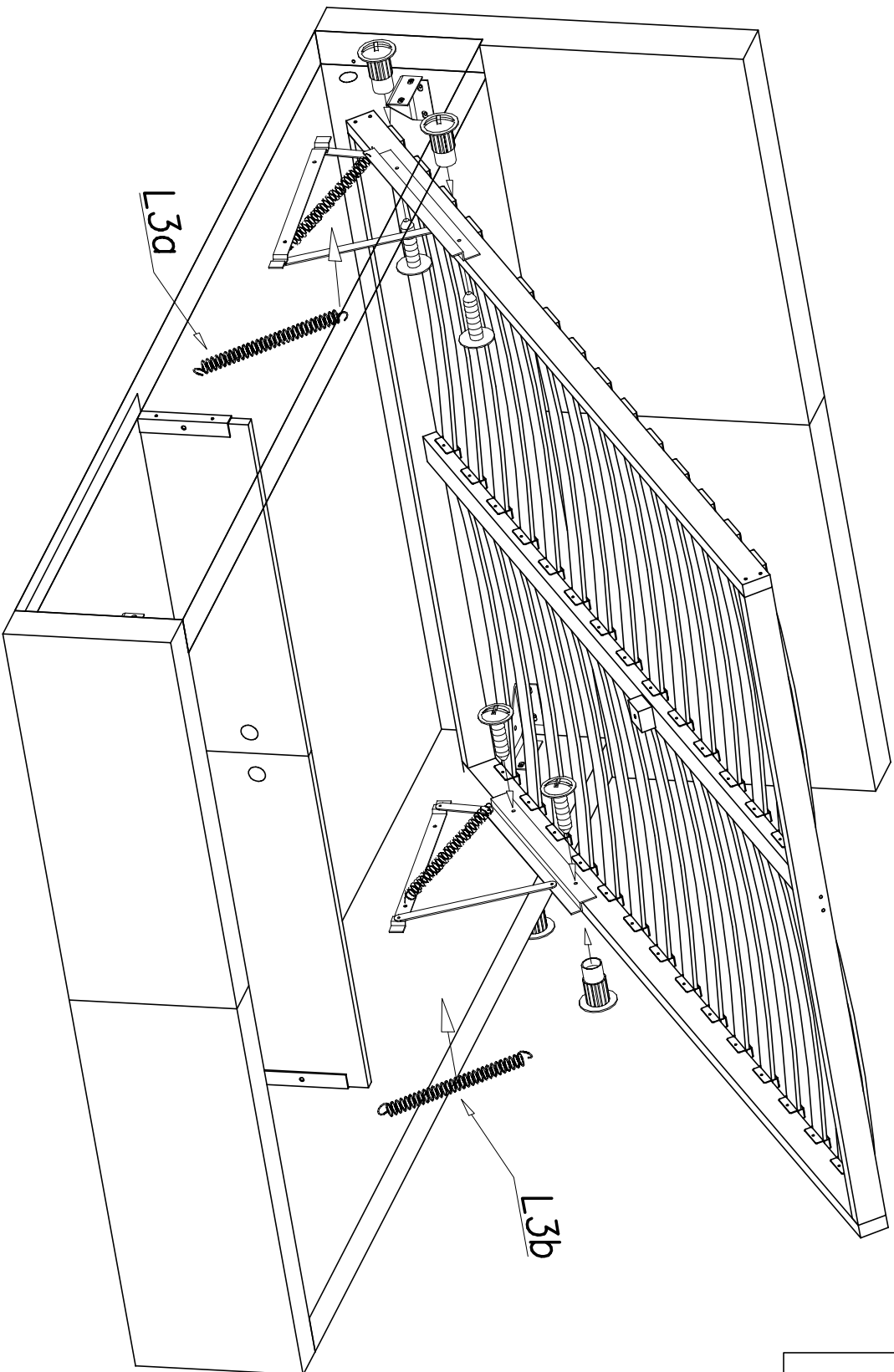


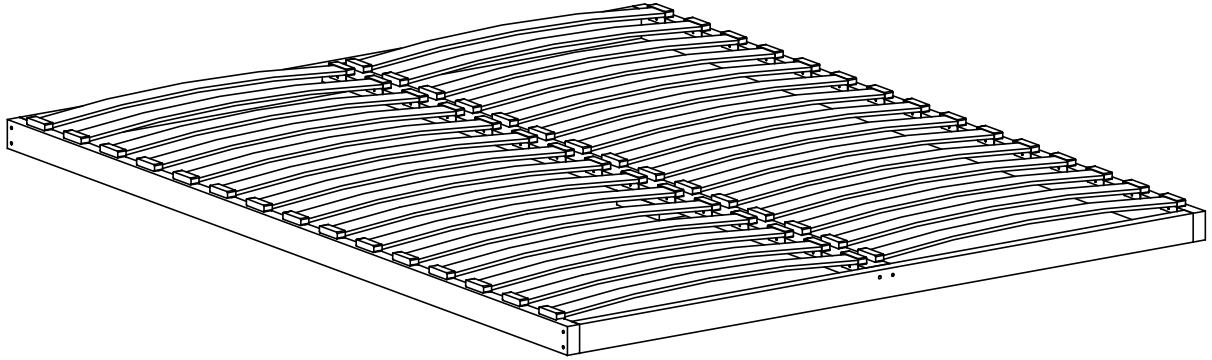
$a = b$

VI

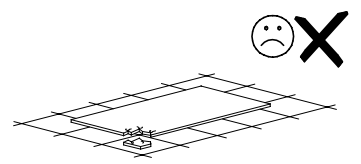
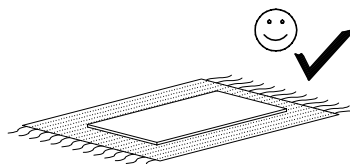
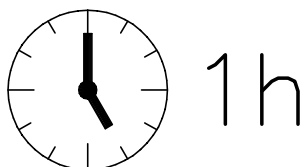
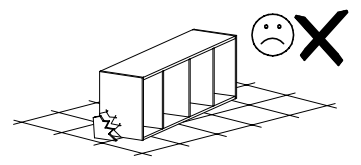
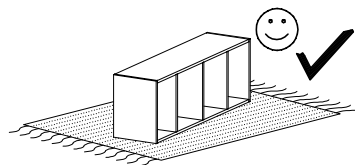
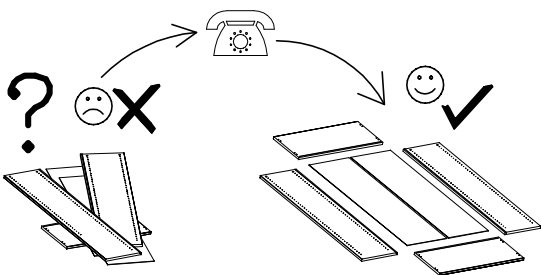
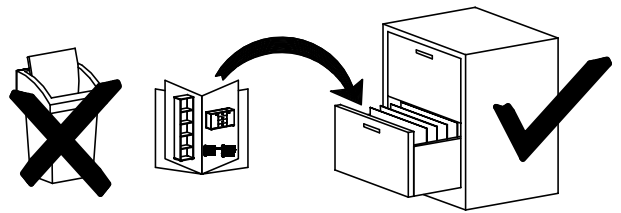
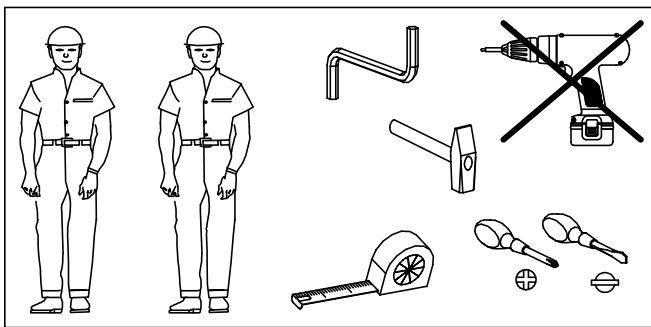


VII

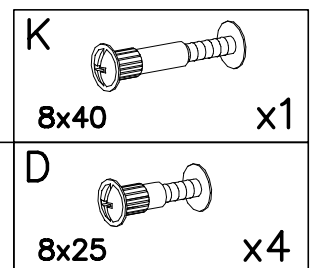
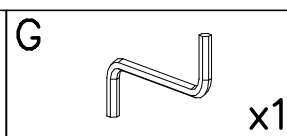
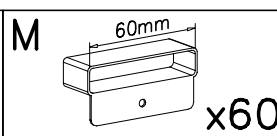
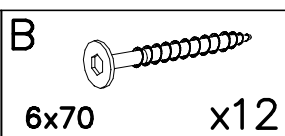
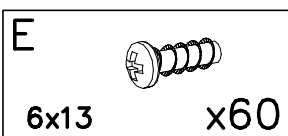
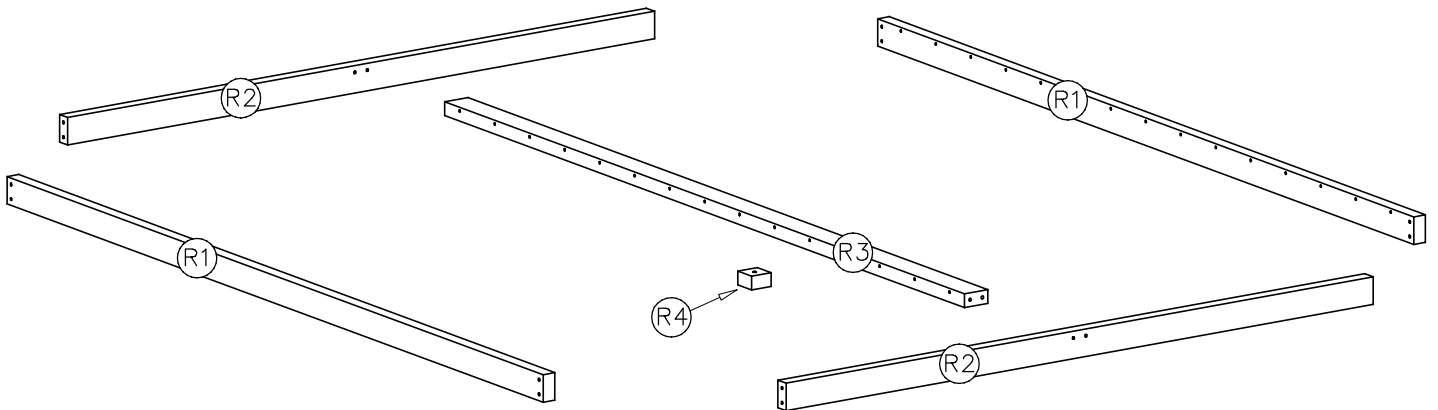
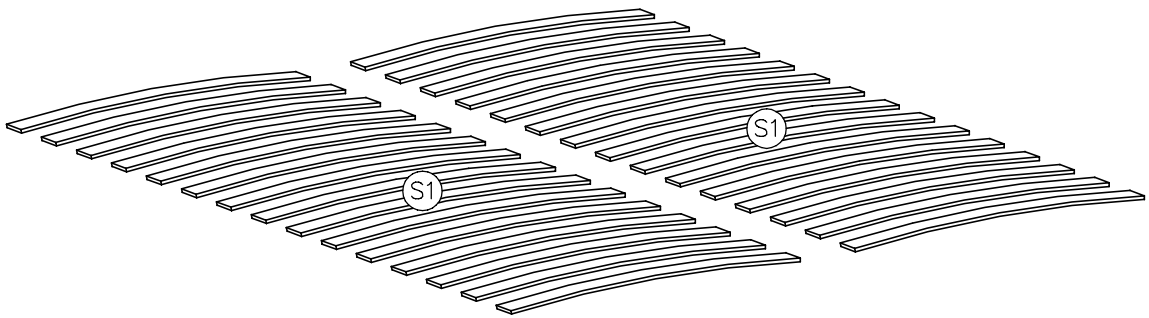
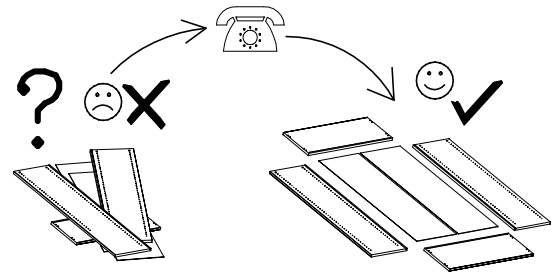
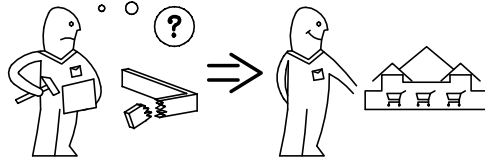
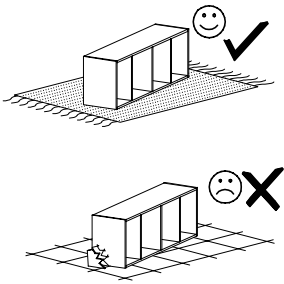


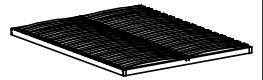


stelaż drewniany



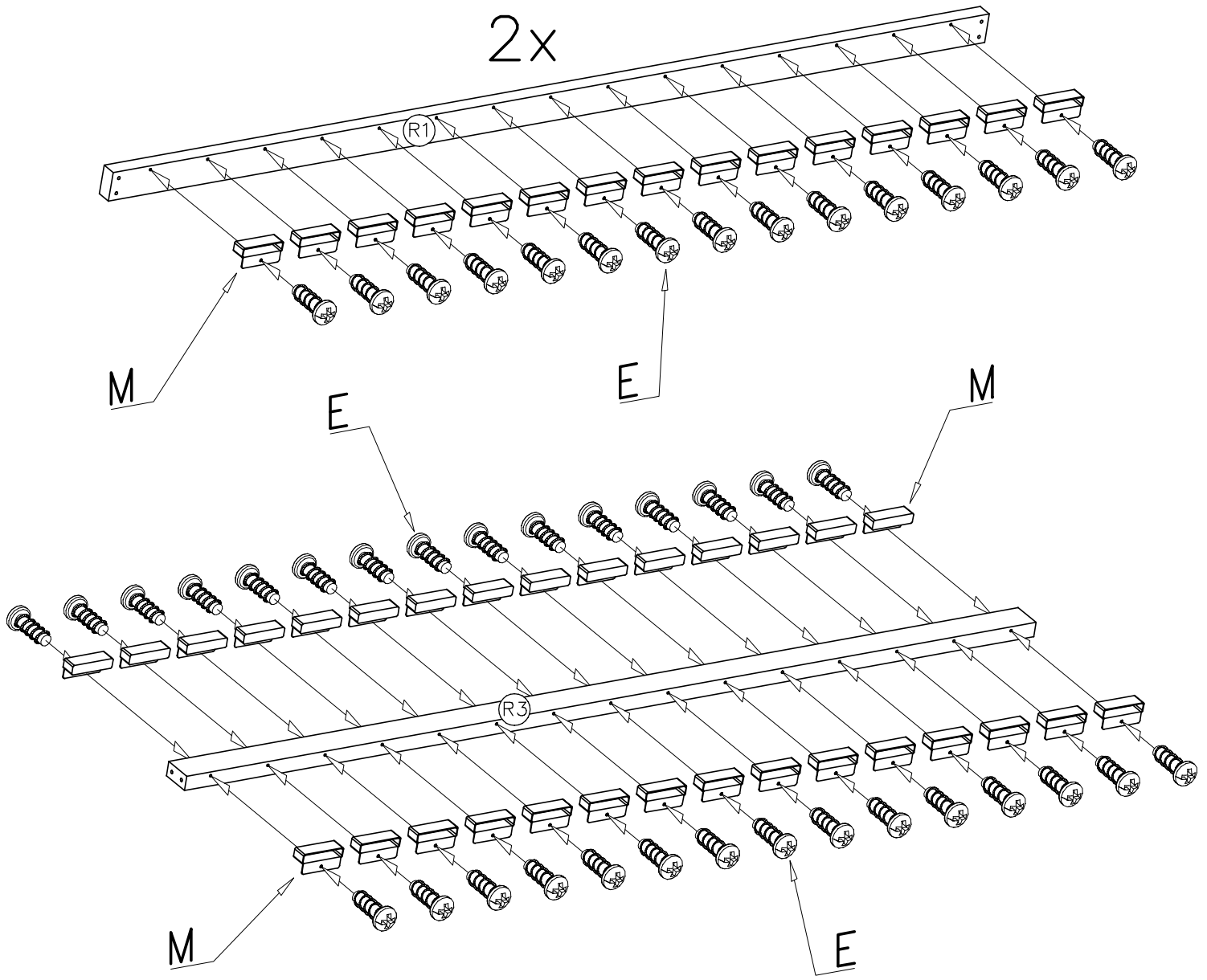
stelaż drewniany





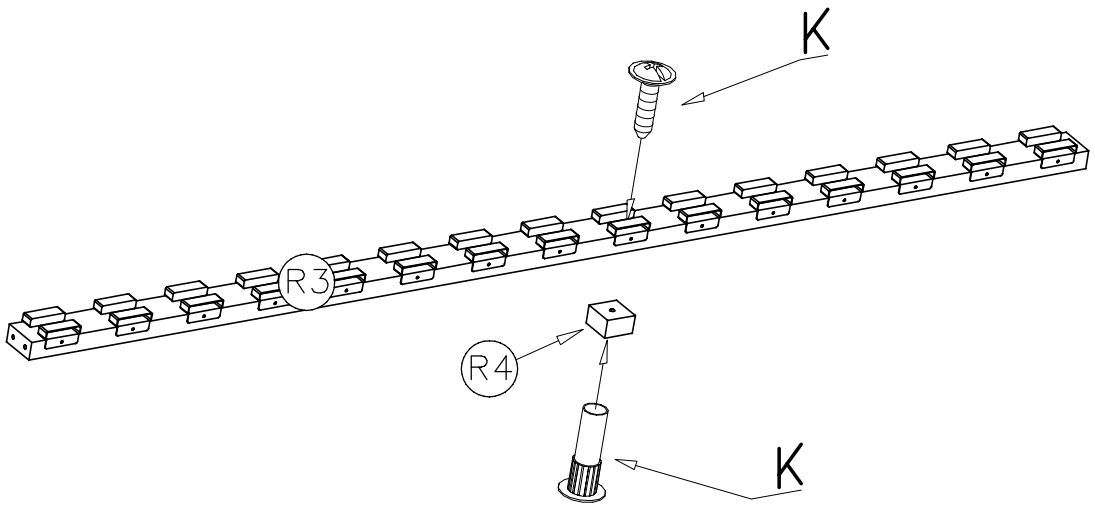
I

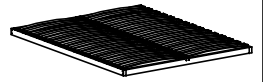
E		M	
6x13	x60	x60	x60



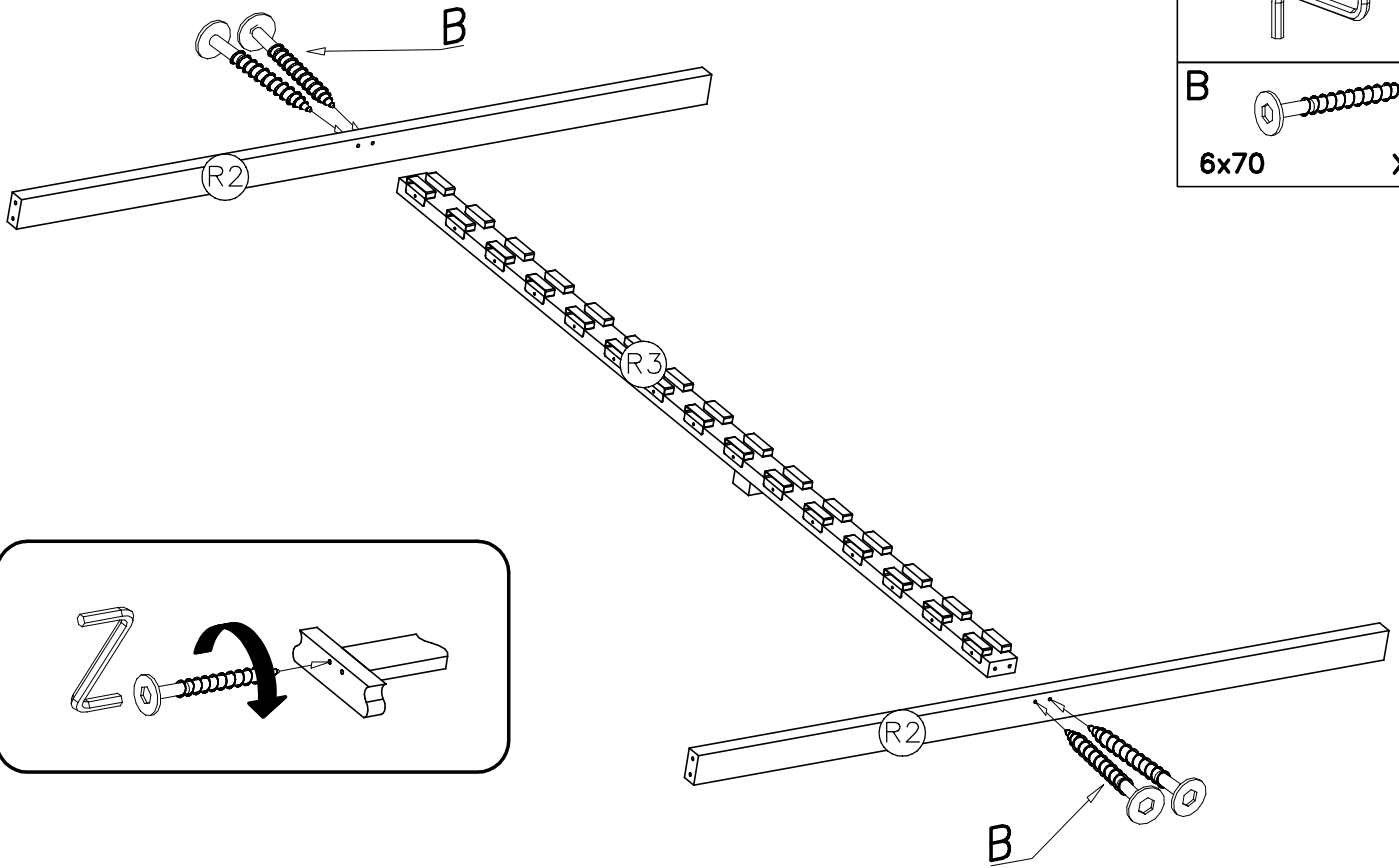
II

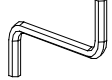

K	
8x40	x1



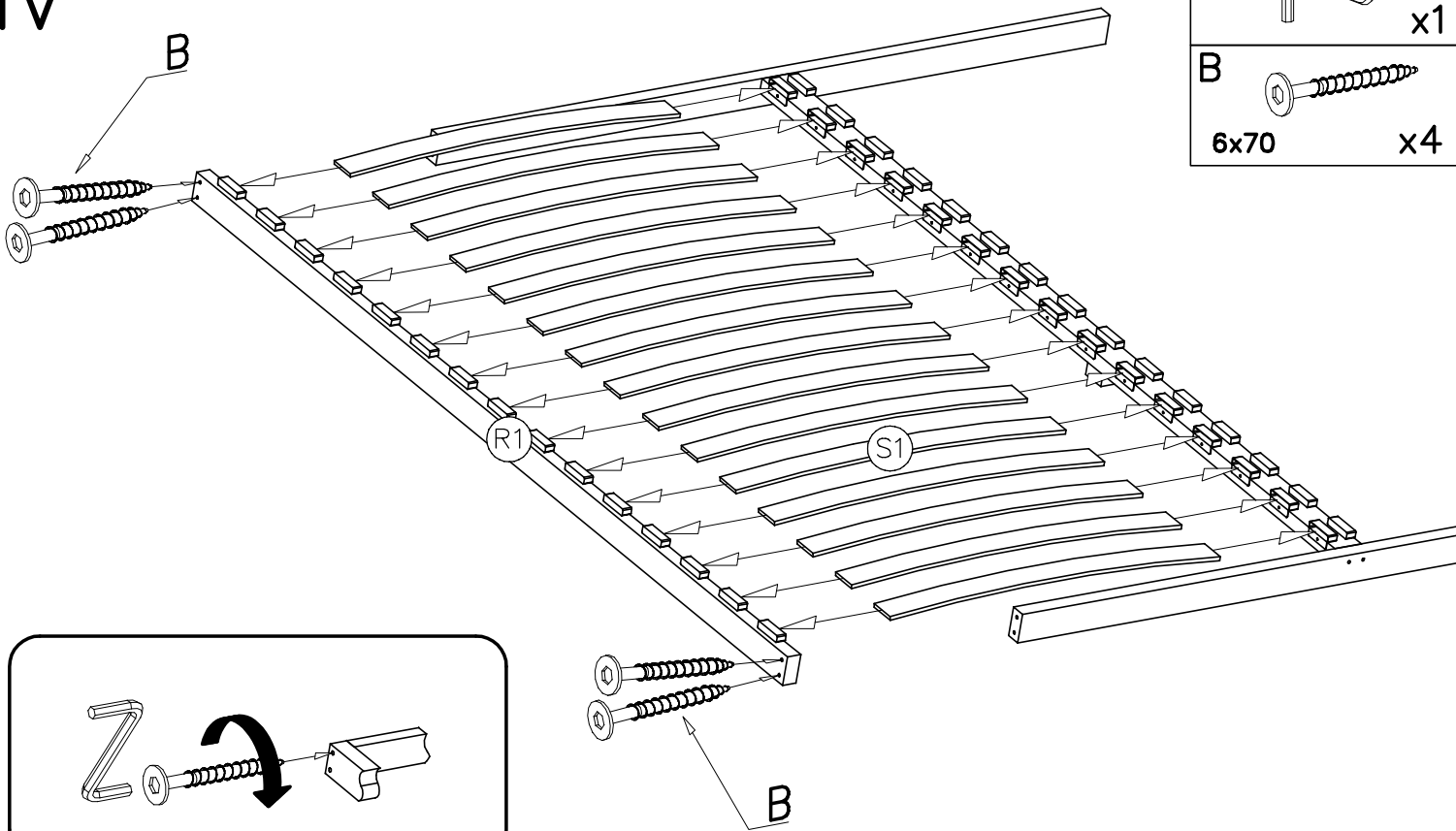


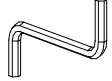
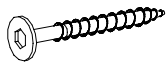
III

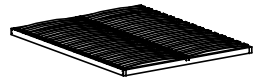


- G  x1
- B  6x70 x4

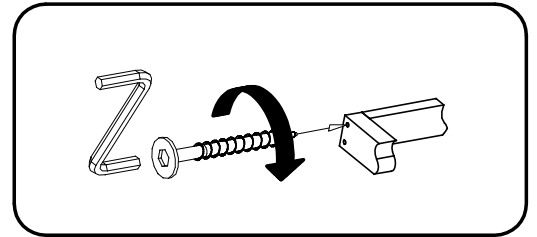
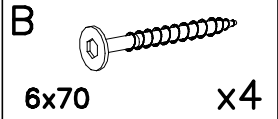
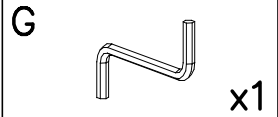
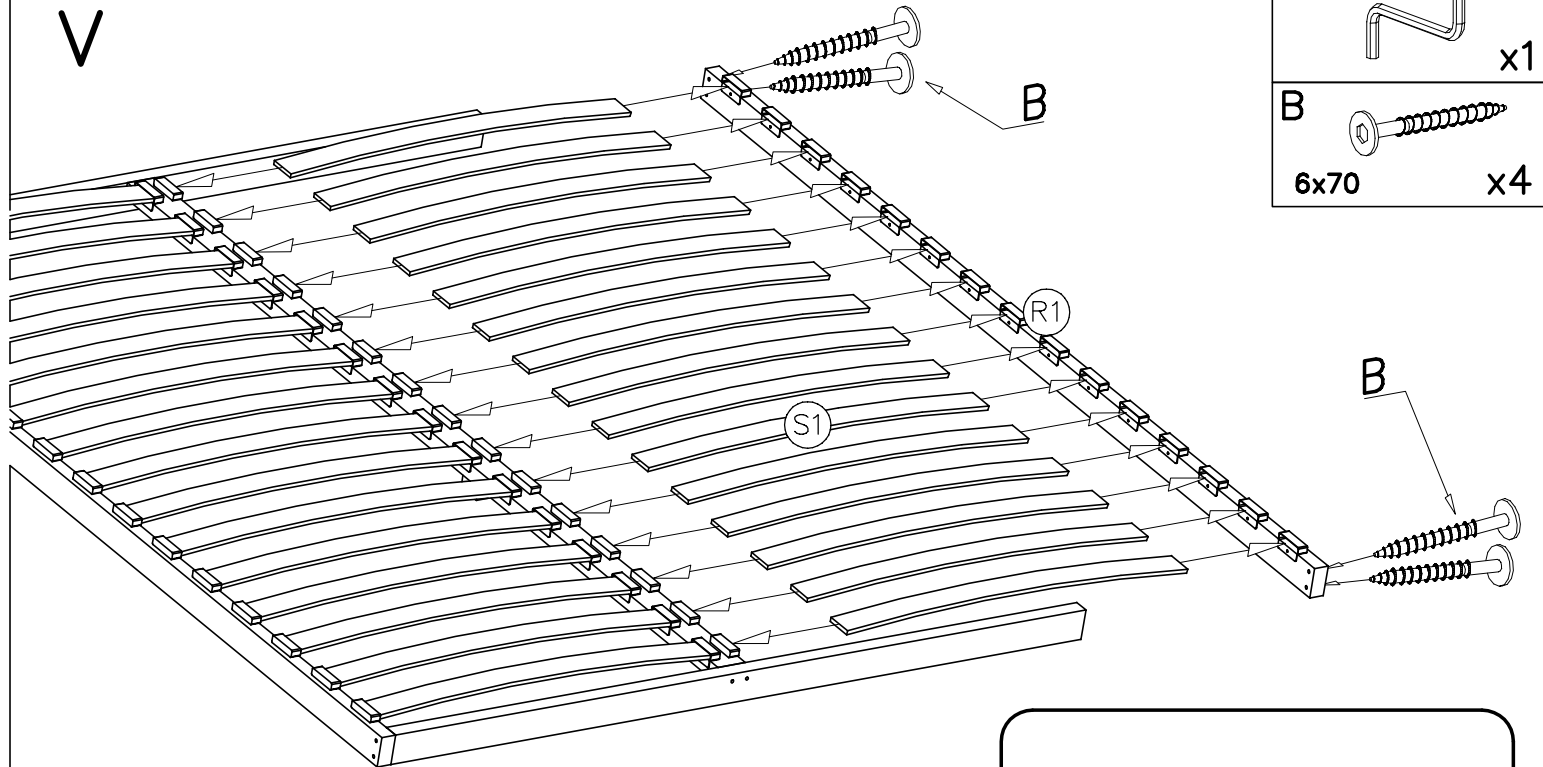
IV



- G  x1
- B  6x70 x4



V



VI

