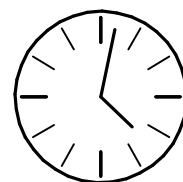
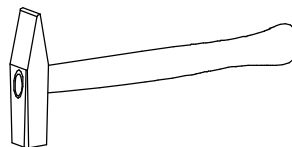
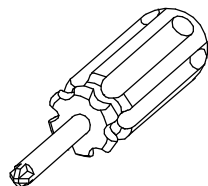
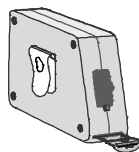
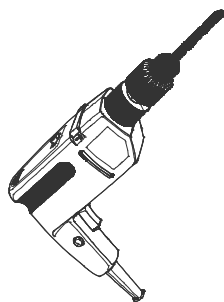
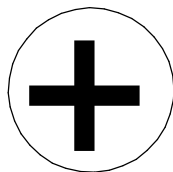
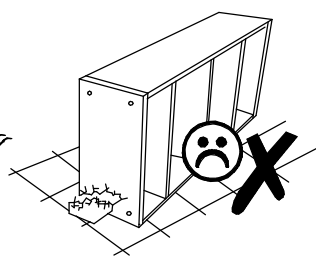
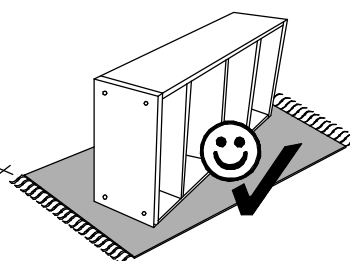
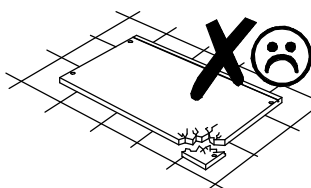
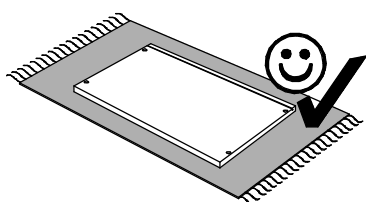
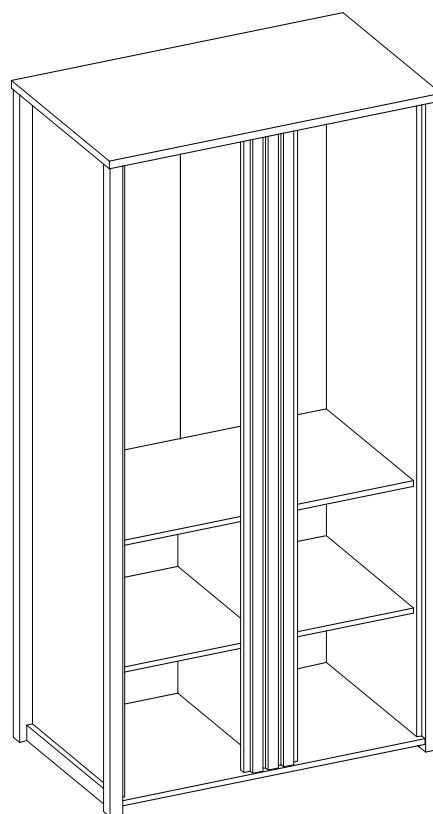
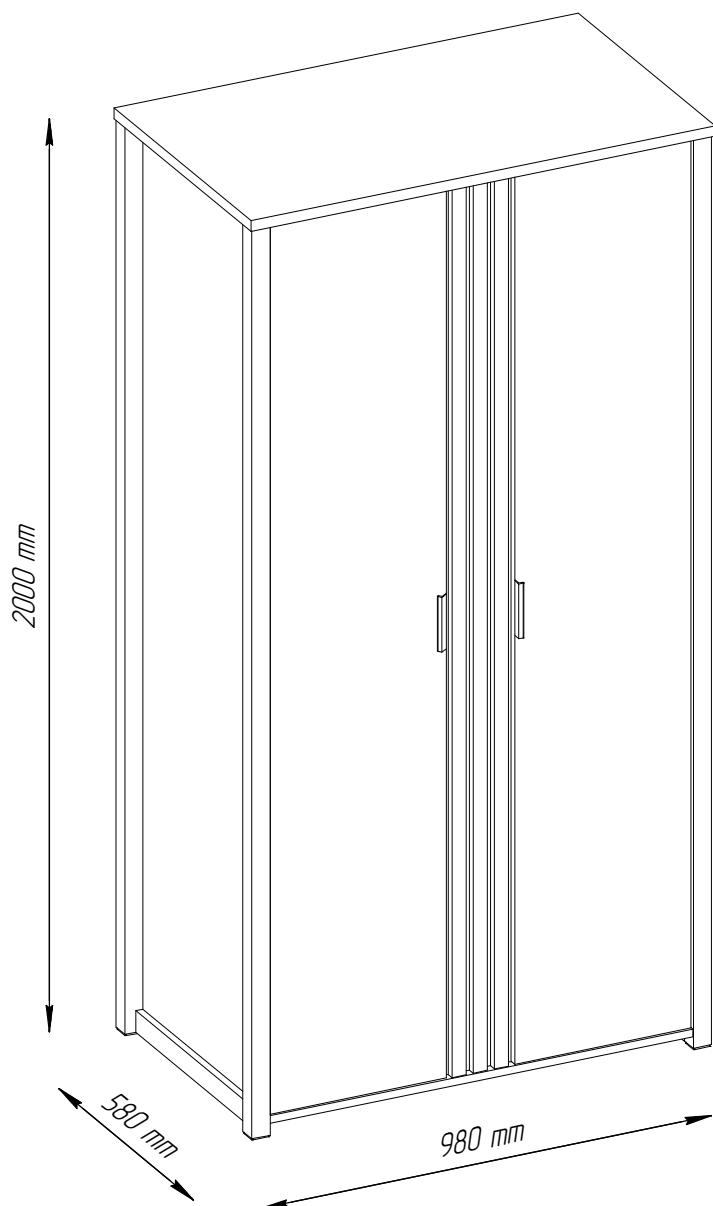
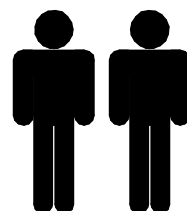
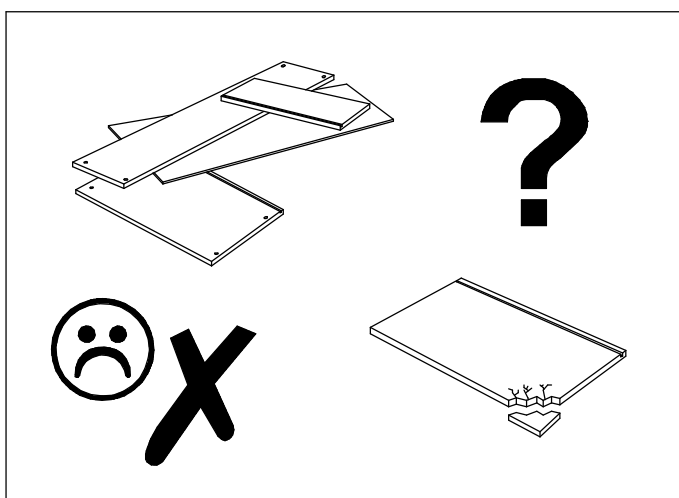
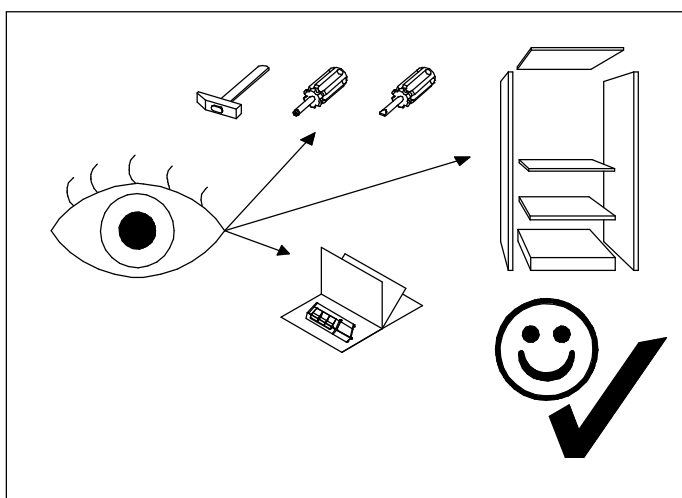
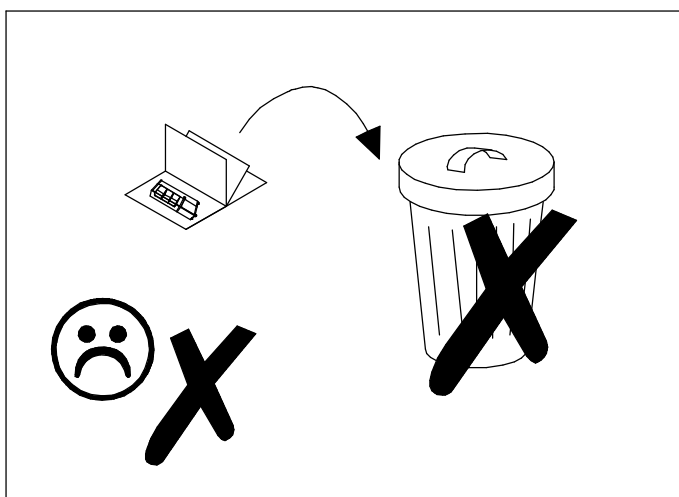
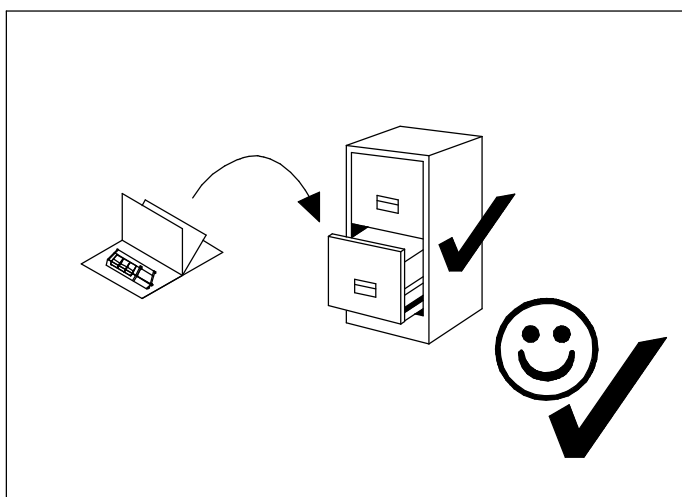
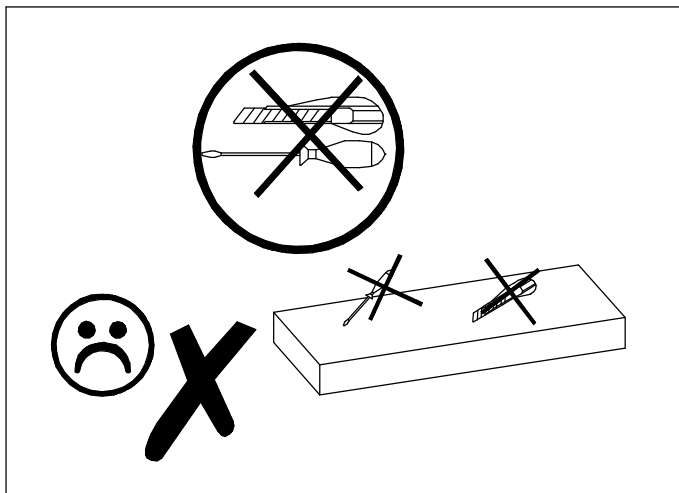
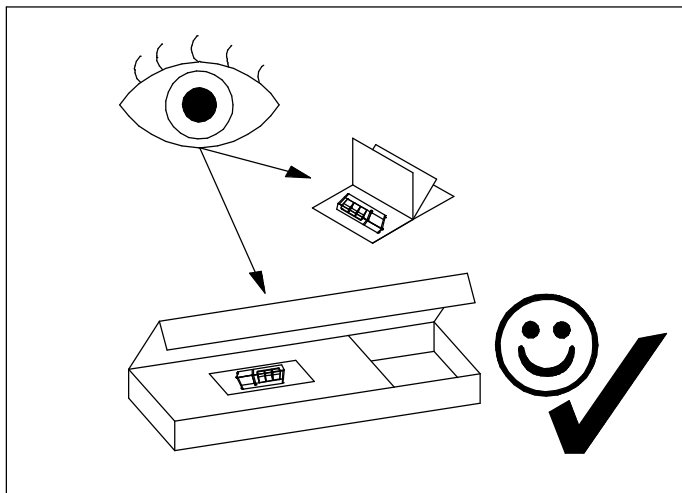


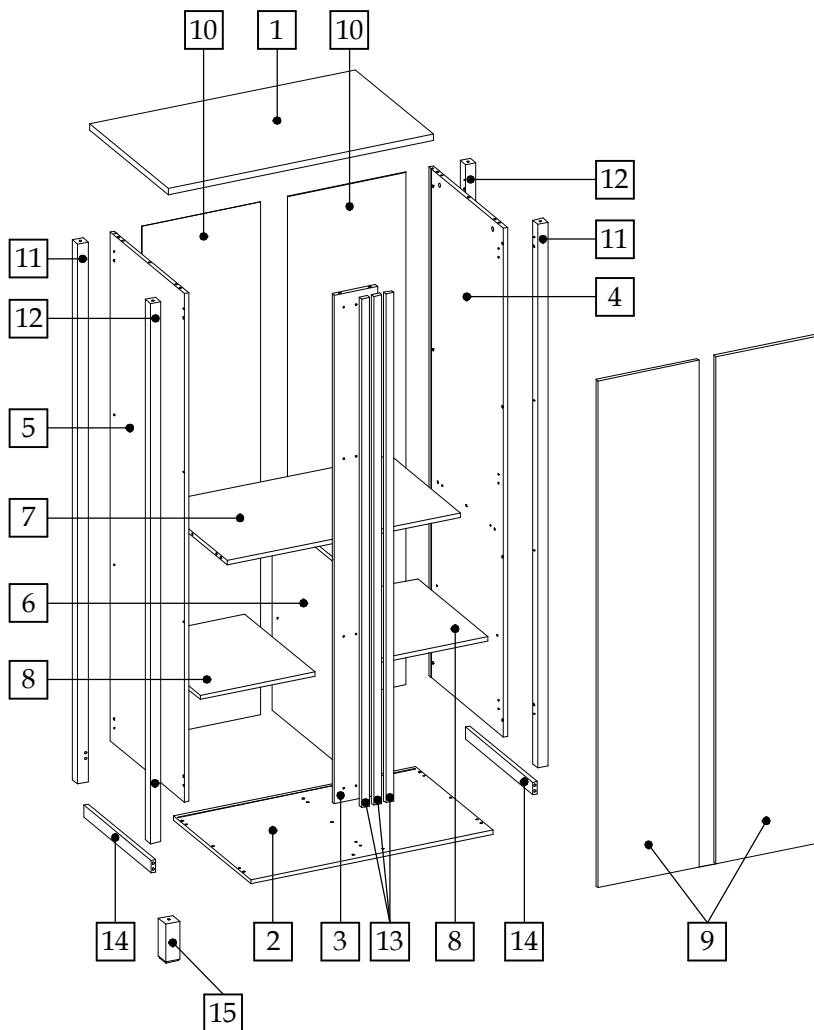
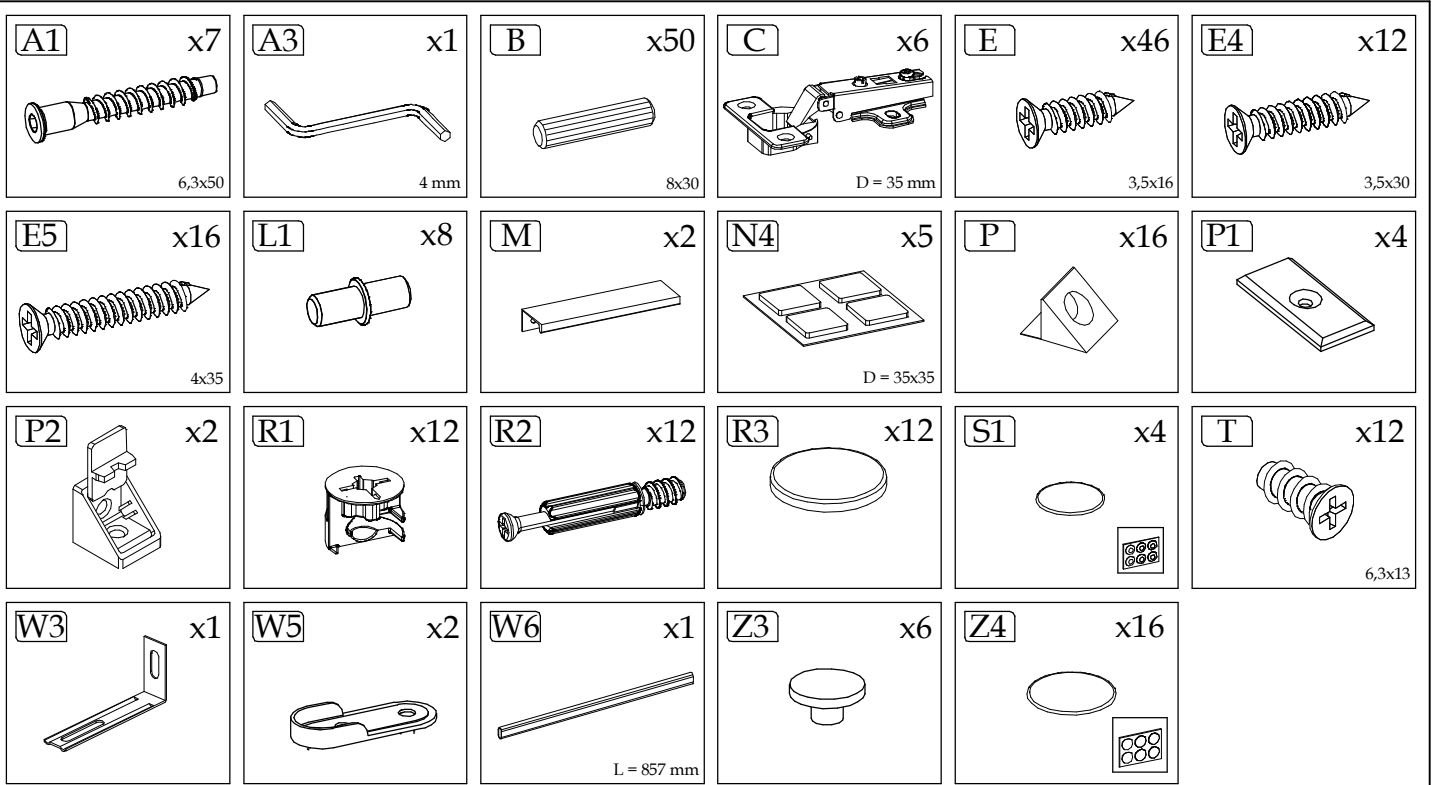
HELIX EVOK F



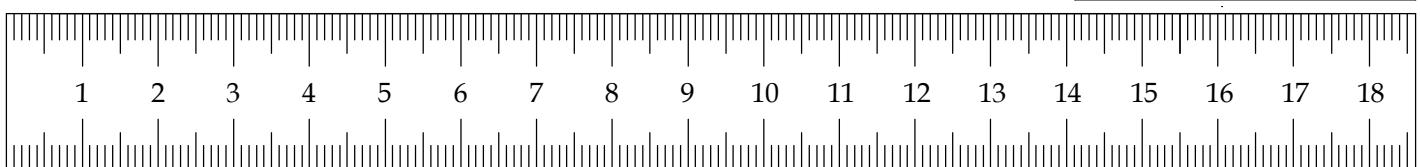
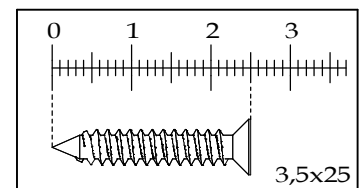
100 min

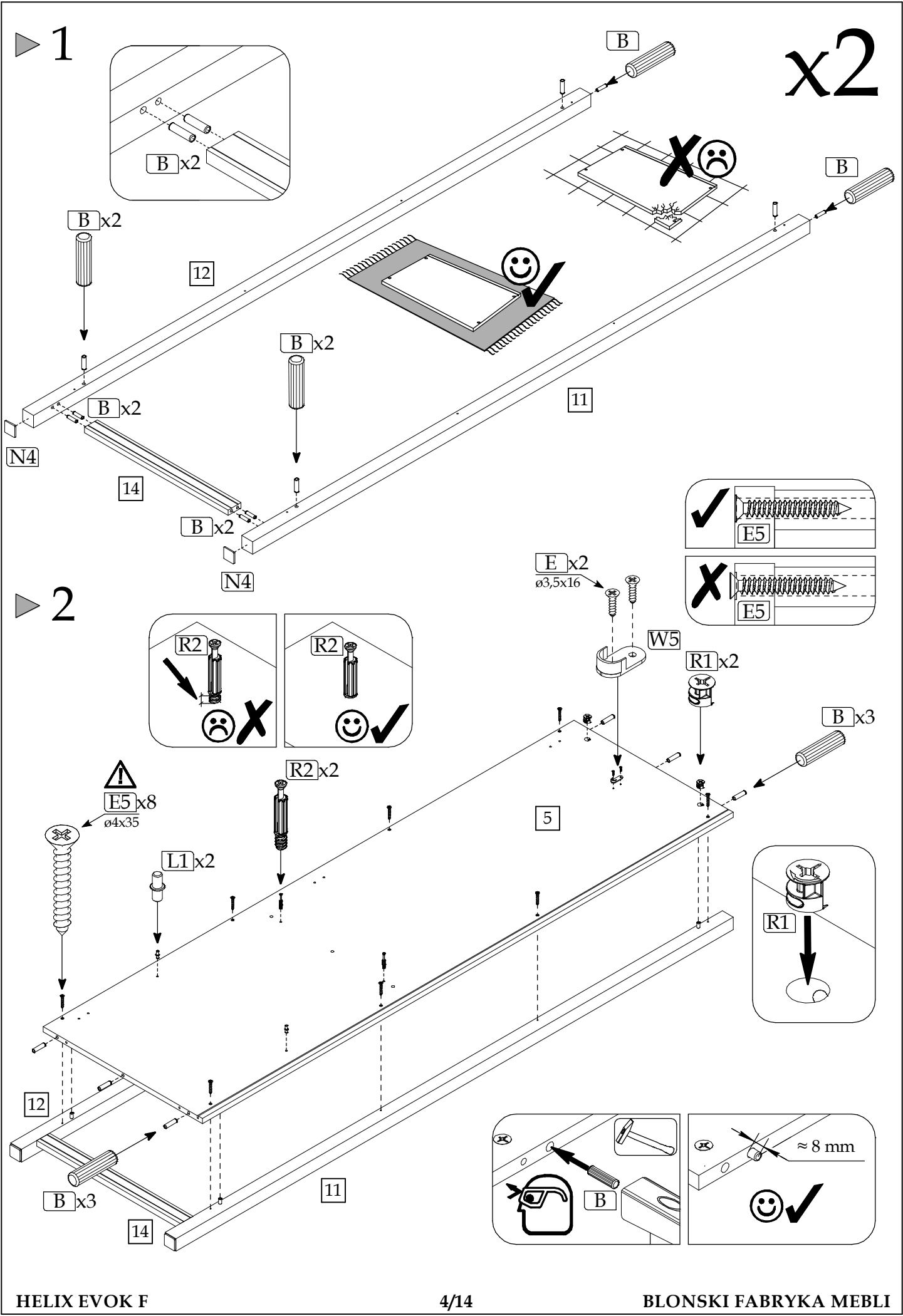






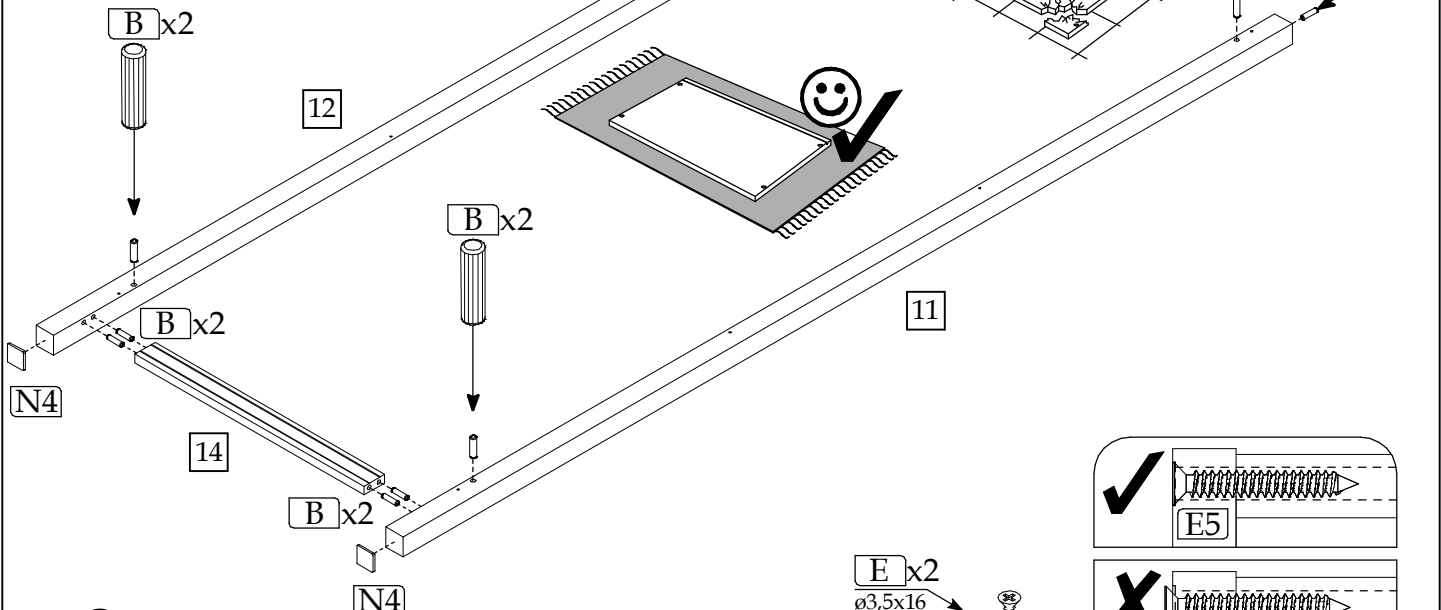
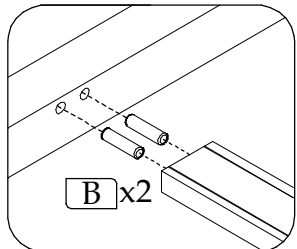
| Element symbol | Measurements | | | | Code | Pack |
|----------------|--------------|------|----|---|-----------------|------|
| 1 | 980 | 580 | 16 | 1 | 1001_EVOK | 1/3 |
| 2 | 894 | 573 | 16 | 1 | 1013_EVOK | 1/3 |
| 3 | 160 | 1844 | 16 | 1 | 1009 | 2/3 |
| 4 | 1844 | 553 | 16 | 1 | 1011 | 2/3 |
| 5 | 1844 | 553 | 16 | 1 | 1012 | 2/3 |
| 6 | 720 | 519 | 16 | 1 | 1016 | 1/3 |
| 7 | 862 | 518 | 16 | 1 | 1028 | 1/3 |
| 8 | 423 | 518 | 16 | 2 | N/A | 1/3 |
| 9 | 1838 | 372 | 16 | 2 | 1005/1010 | 2/3 |
| 10 | 1858 | 440 | 3 | 2 | N/A | 2/3 |
| 11 | 1980 | 38 | 38 | 2 | EVOK_1980x38_T1 | 3/3 |
| 12 | 1980 | 38 | 38 | 2 | EVOK_1980x38_T2 | 3/3 |
| 13 | 1844 | 30 | 16 | 3 | P16_1844x30x16 | 2/3 |
| 14 | 499 | 45 | 16 | 2 | P16_499x45x16 | 1/3 |
| 15 | 120 | 38 | 38 | 1 | EVOK_120x38x38 | 1/3 |



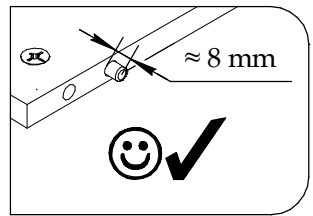
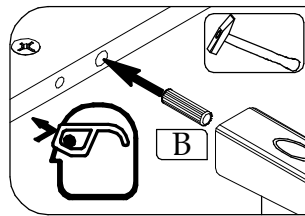
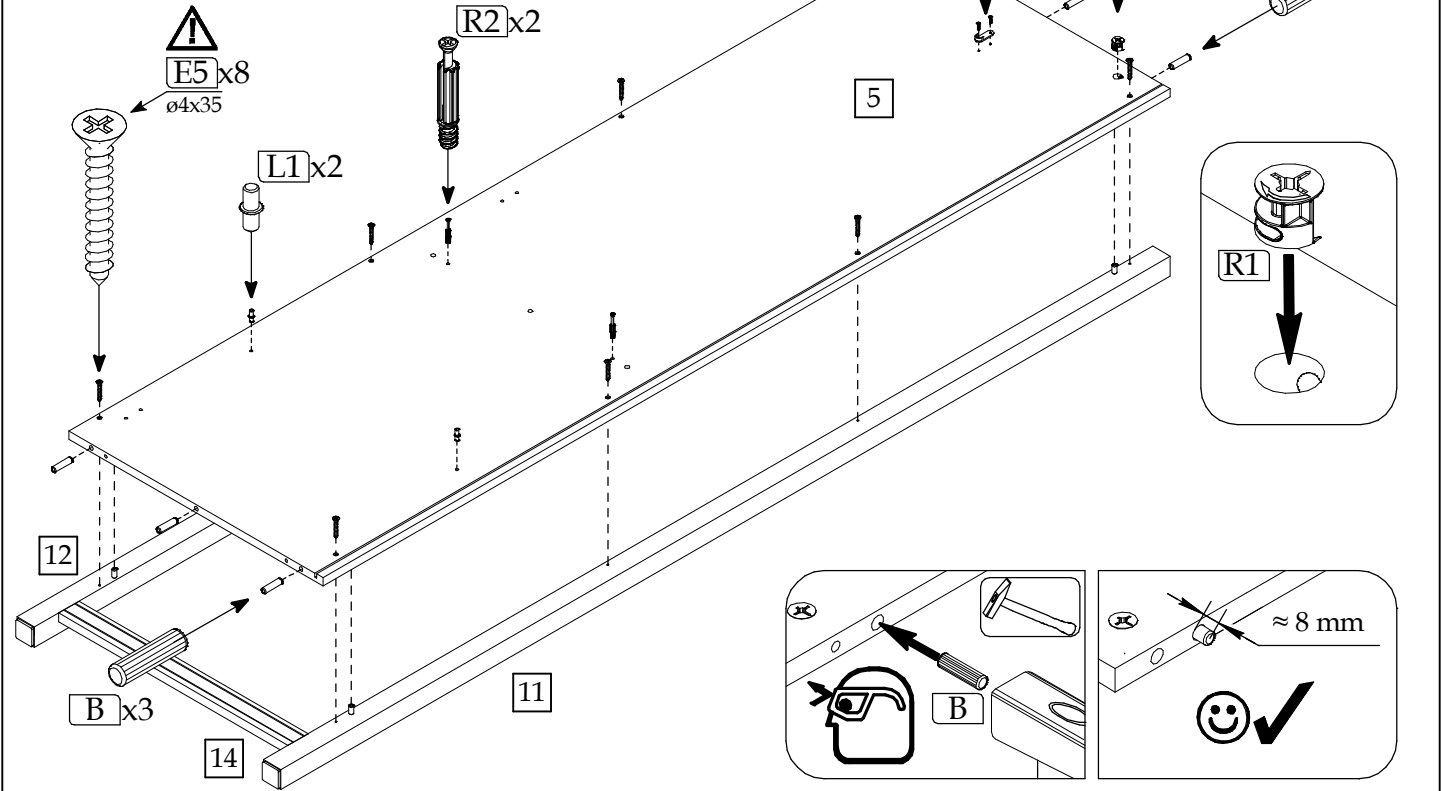
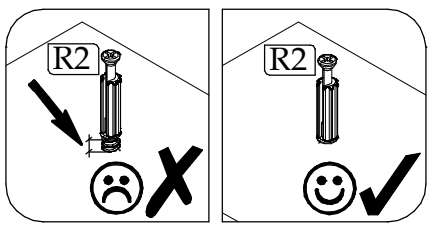


▶ 1

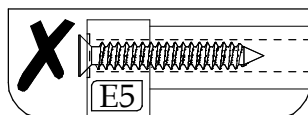
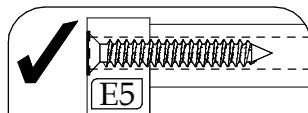
x2



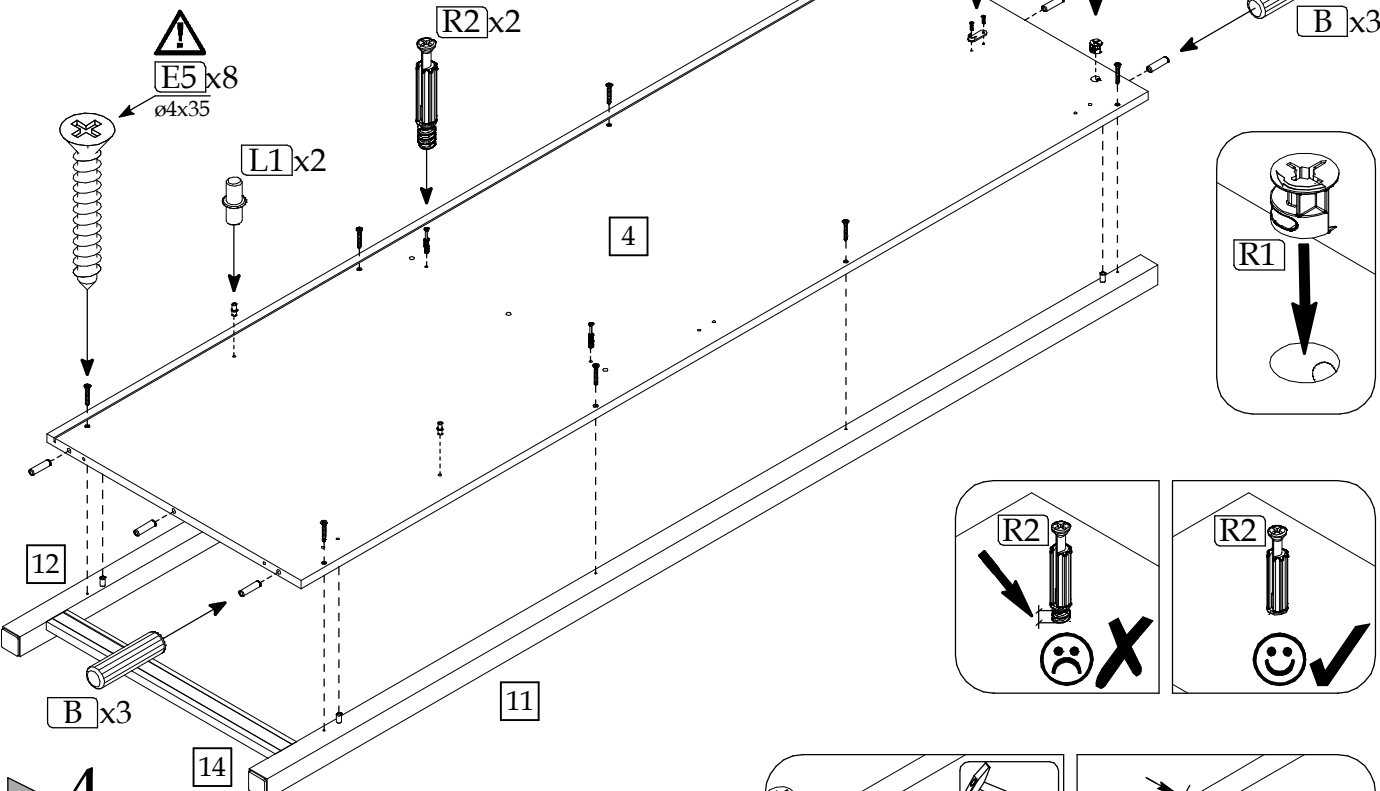
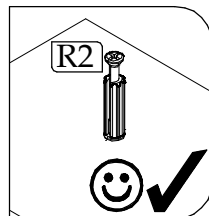
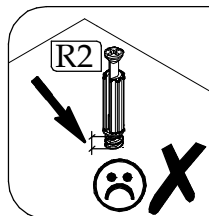
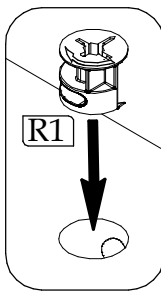
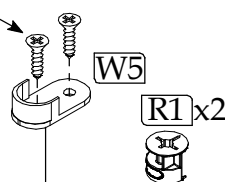
▶ 2



▶ 3

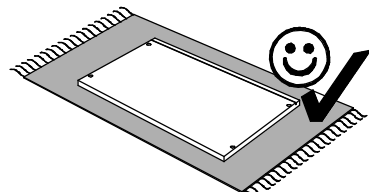
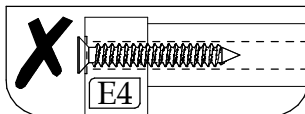
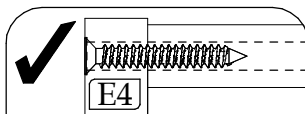
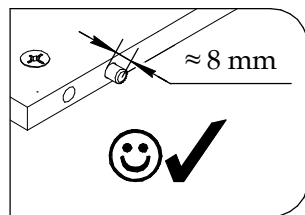
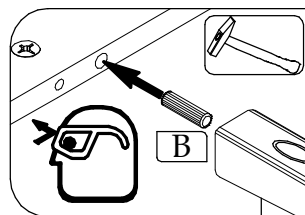
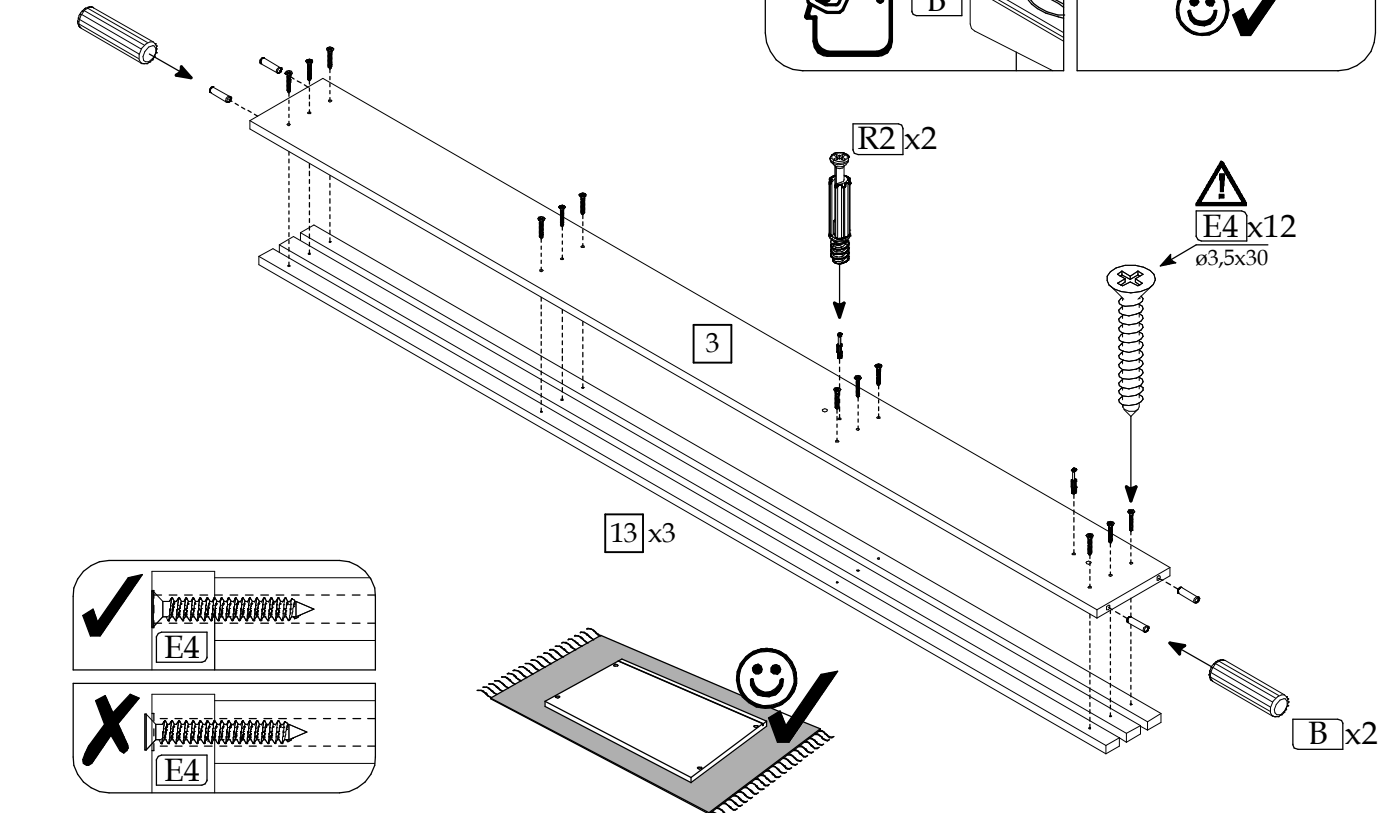


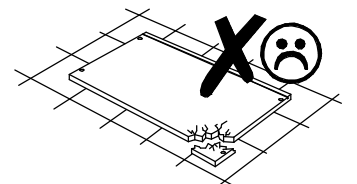
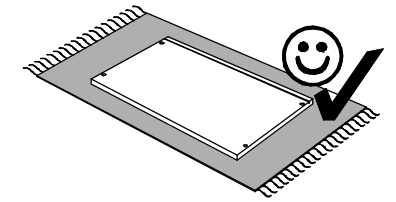
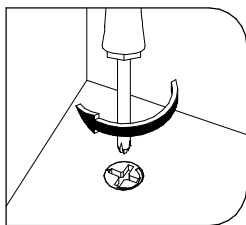
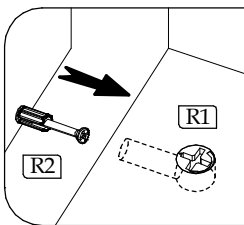
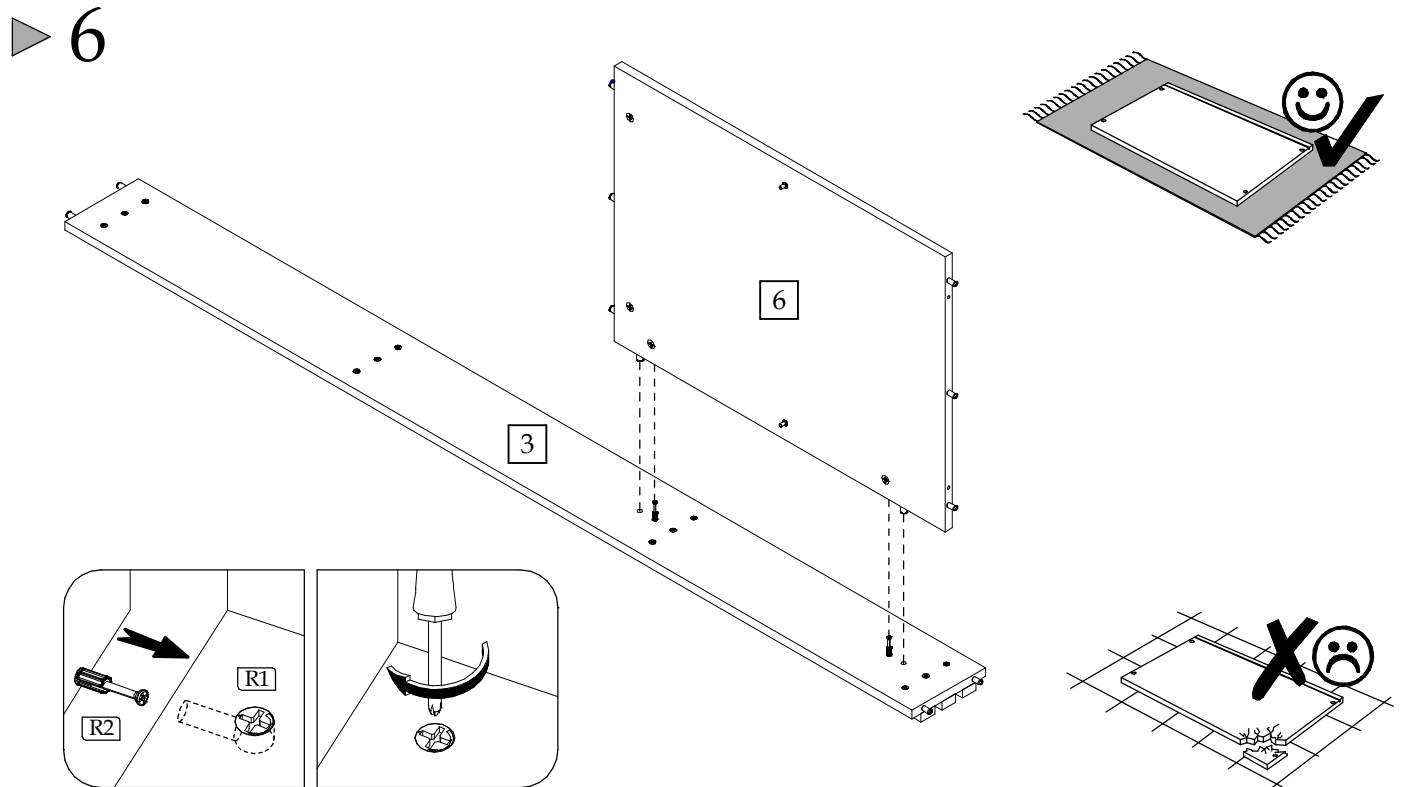
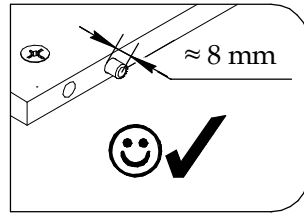
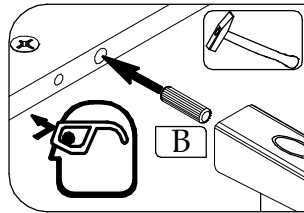
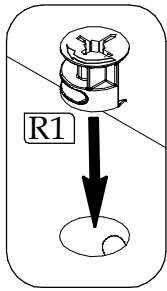
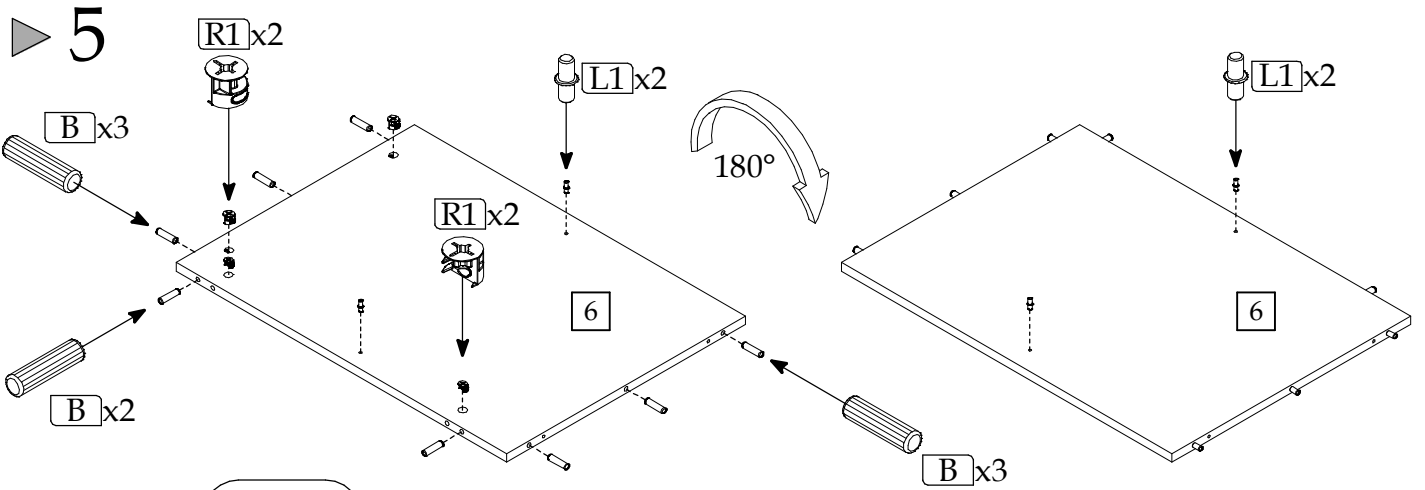
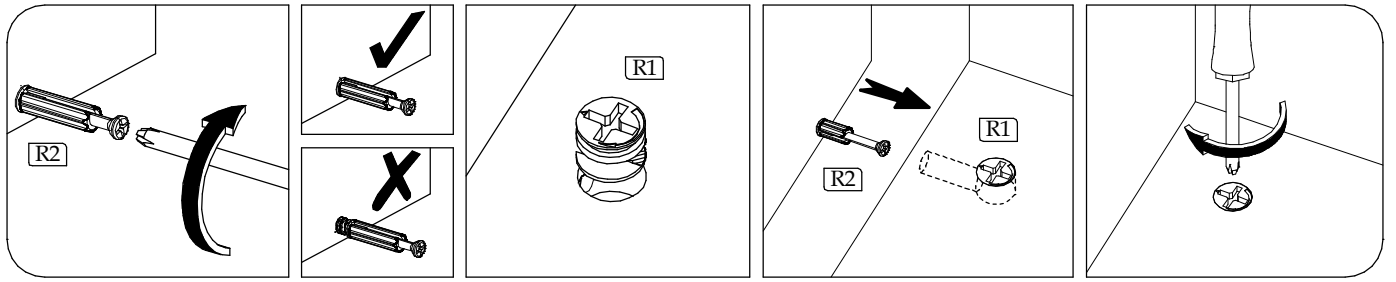
E x2
ø3,5x16

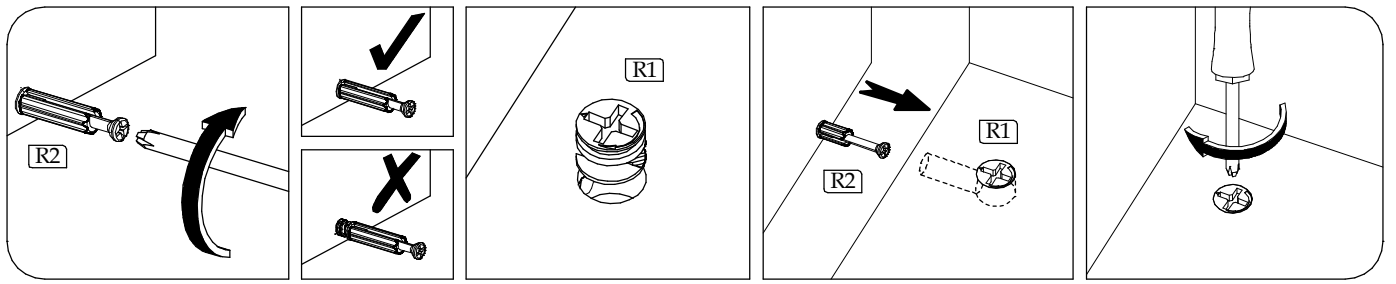


▶ 4

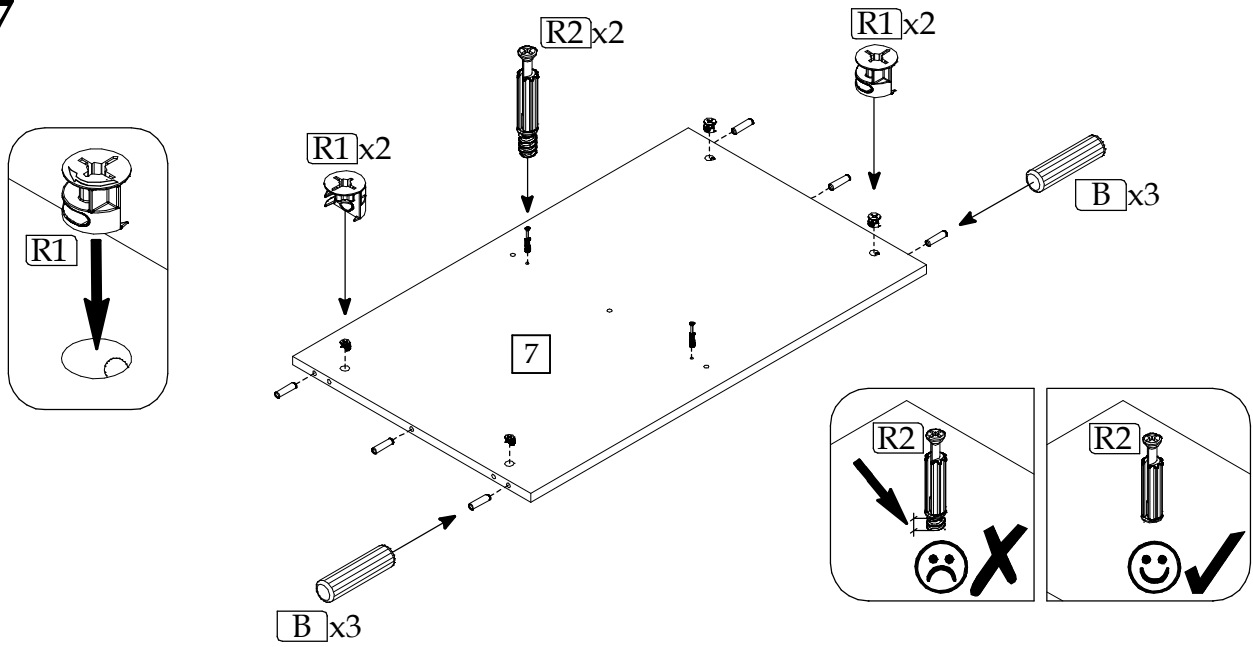
B x2



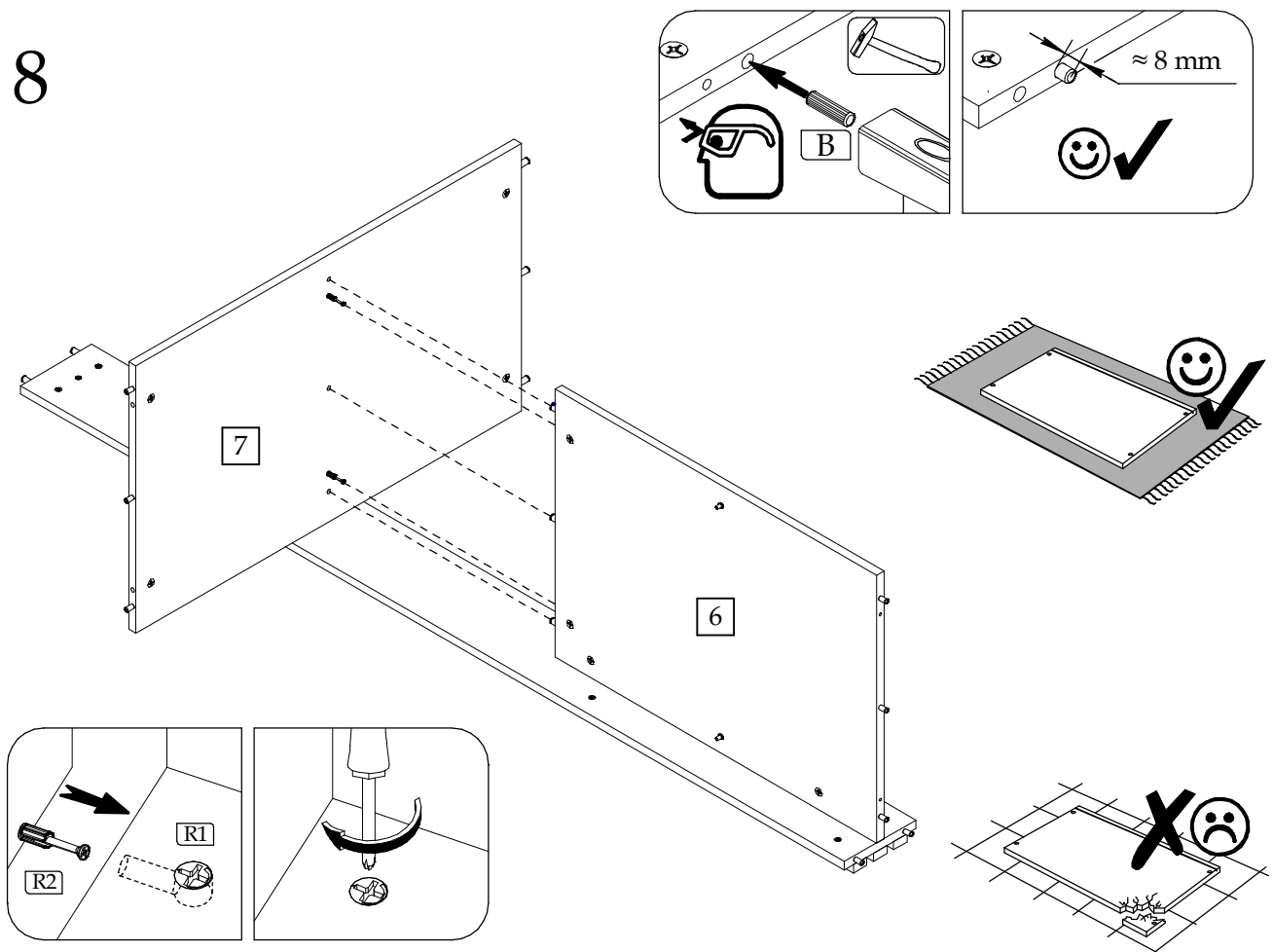




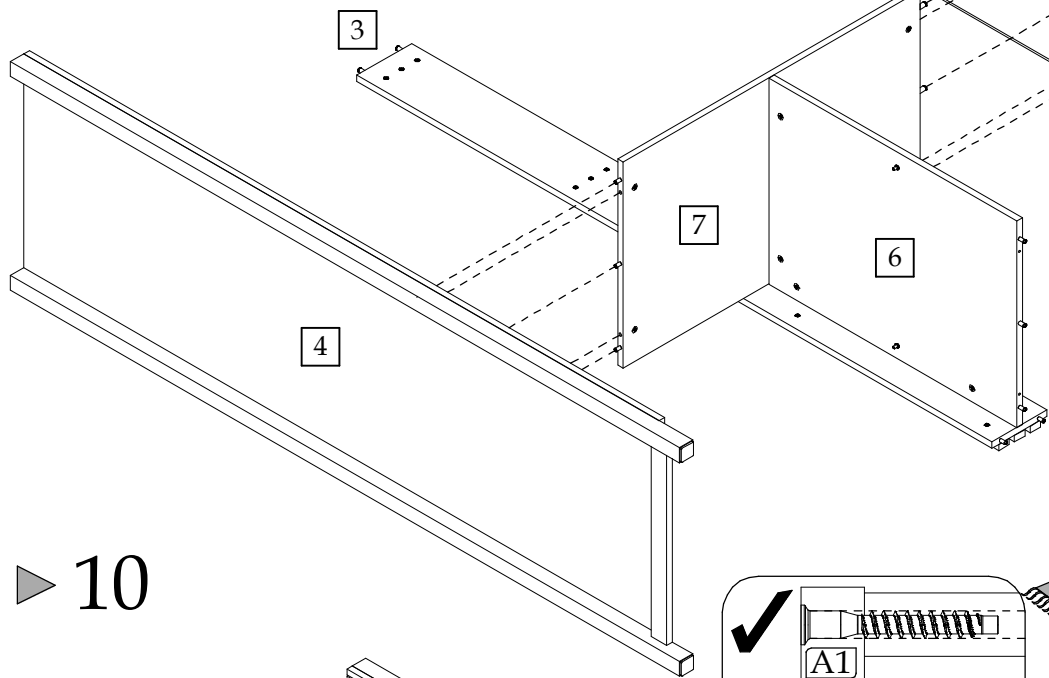
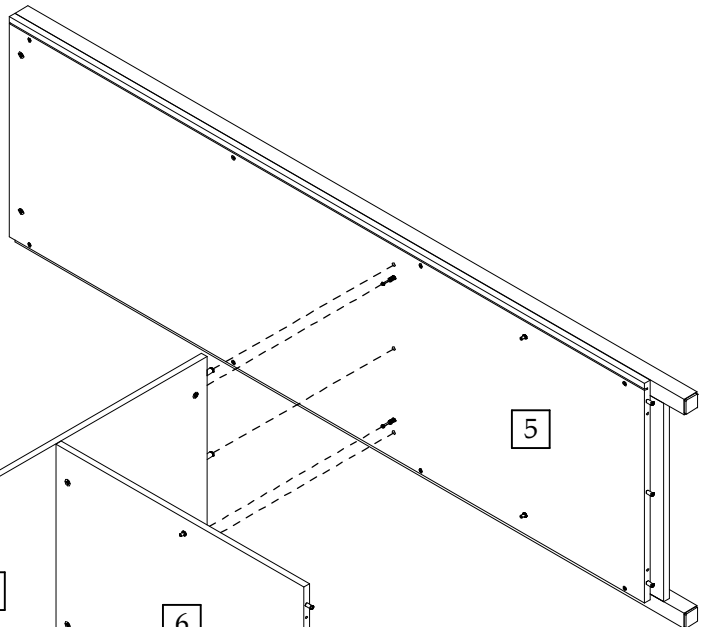
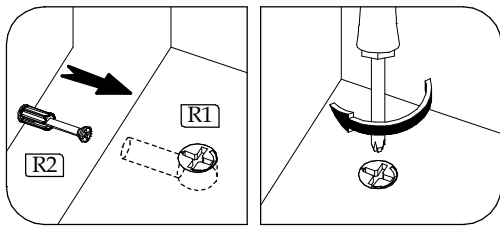
▶ 7



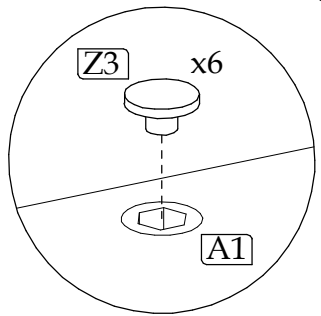
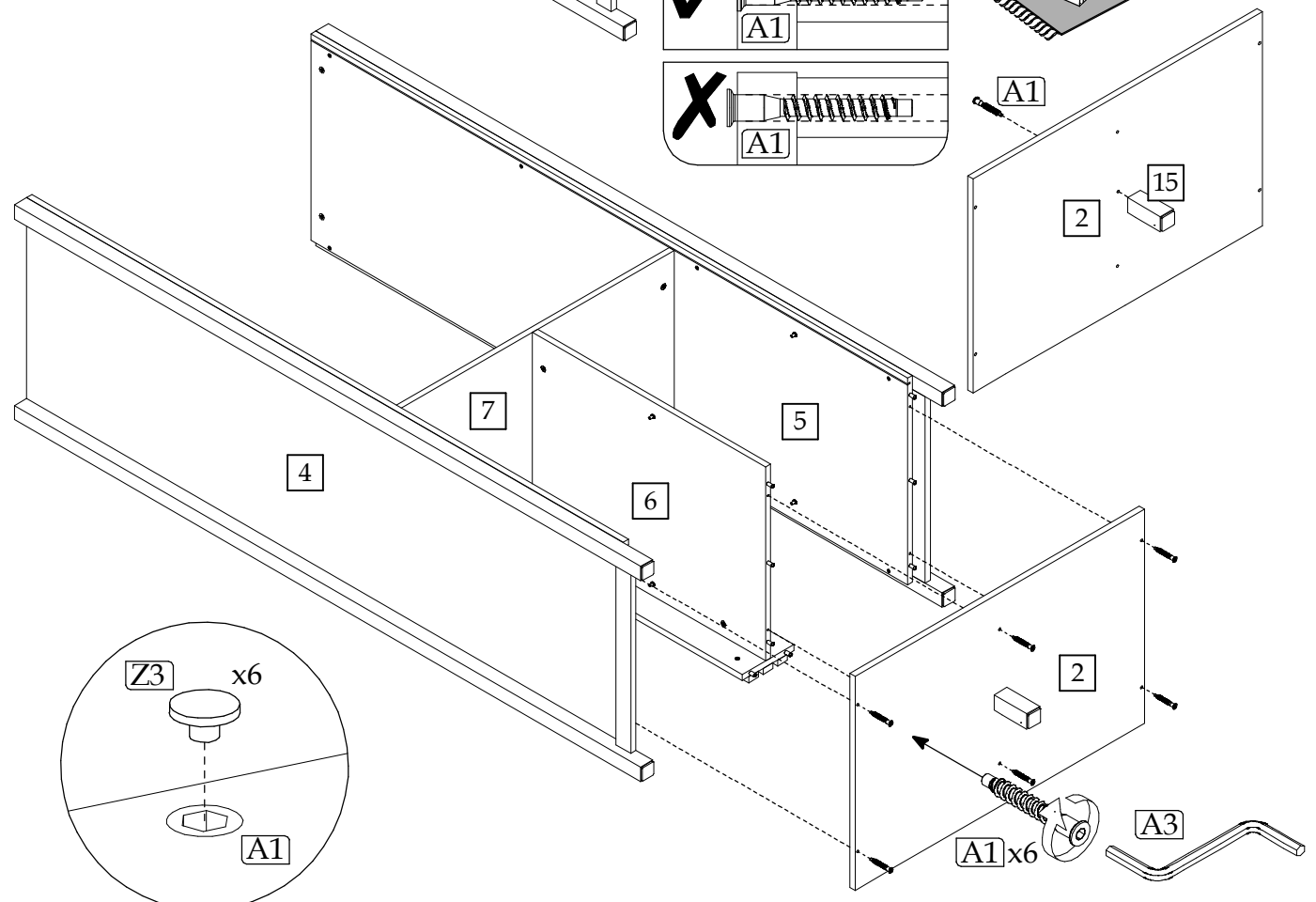
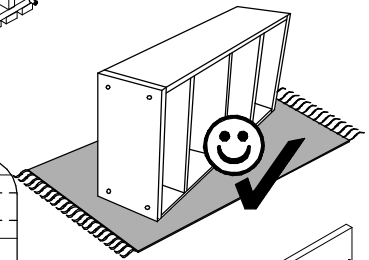
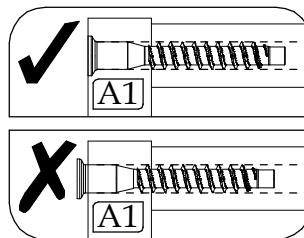
▶ 8

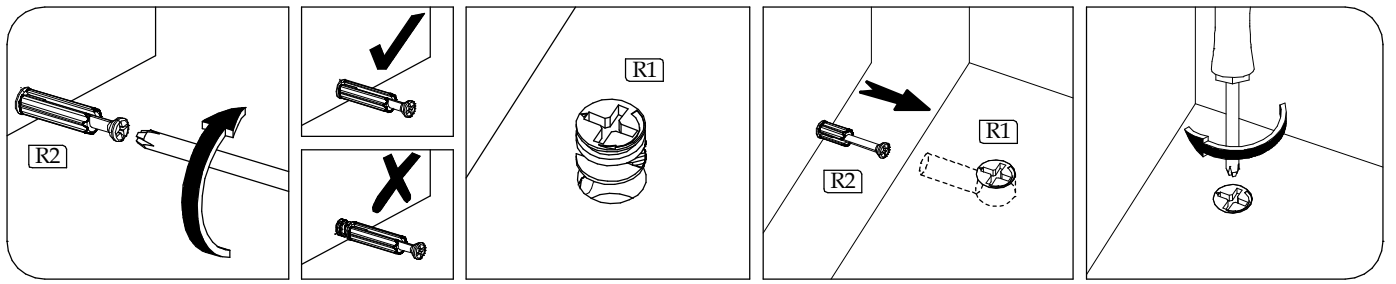


▶ 9

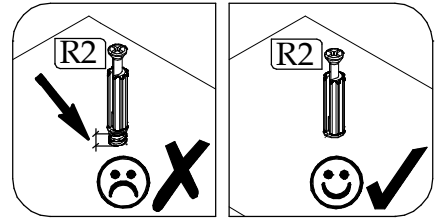
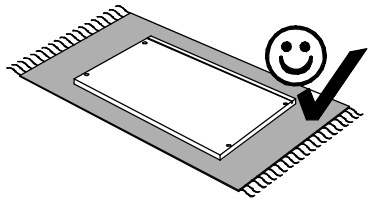


▶ 10

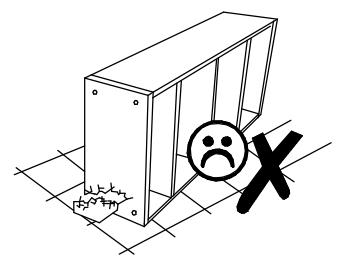
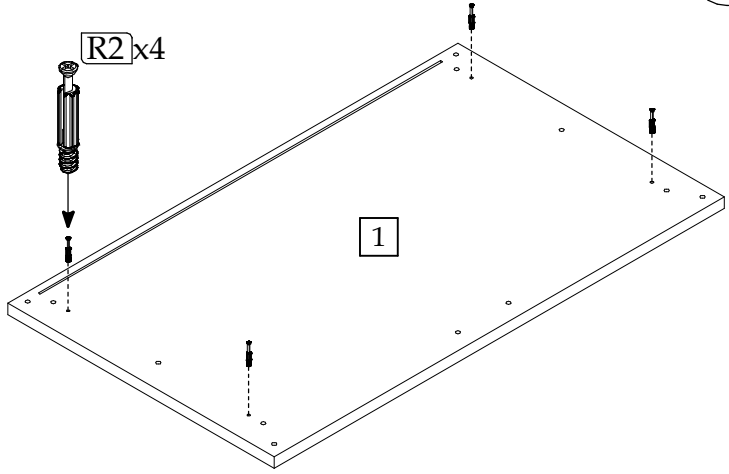




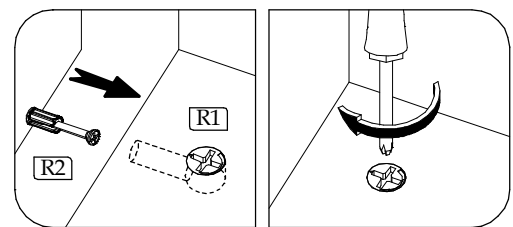
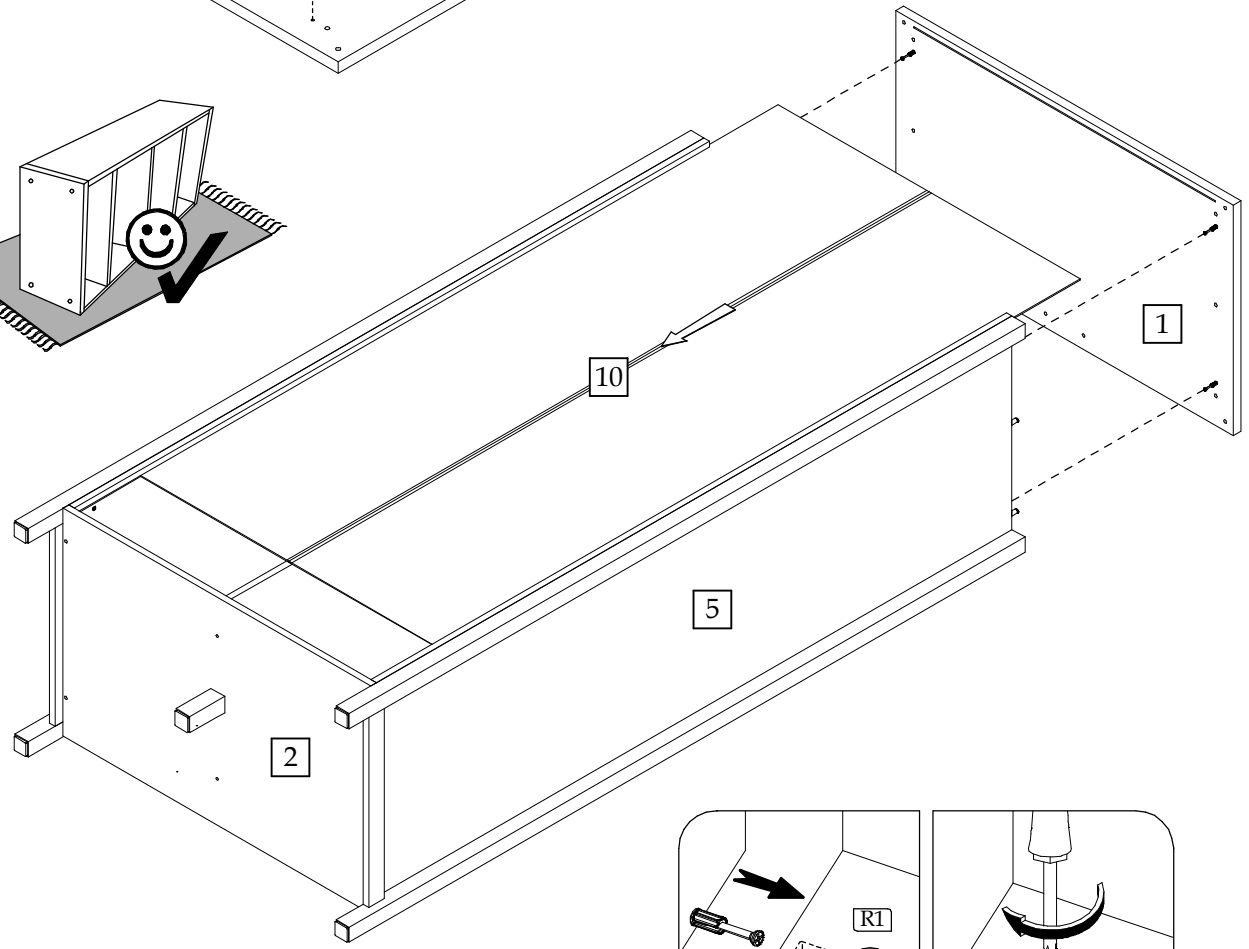
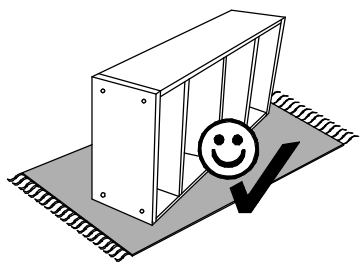
▶ 11



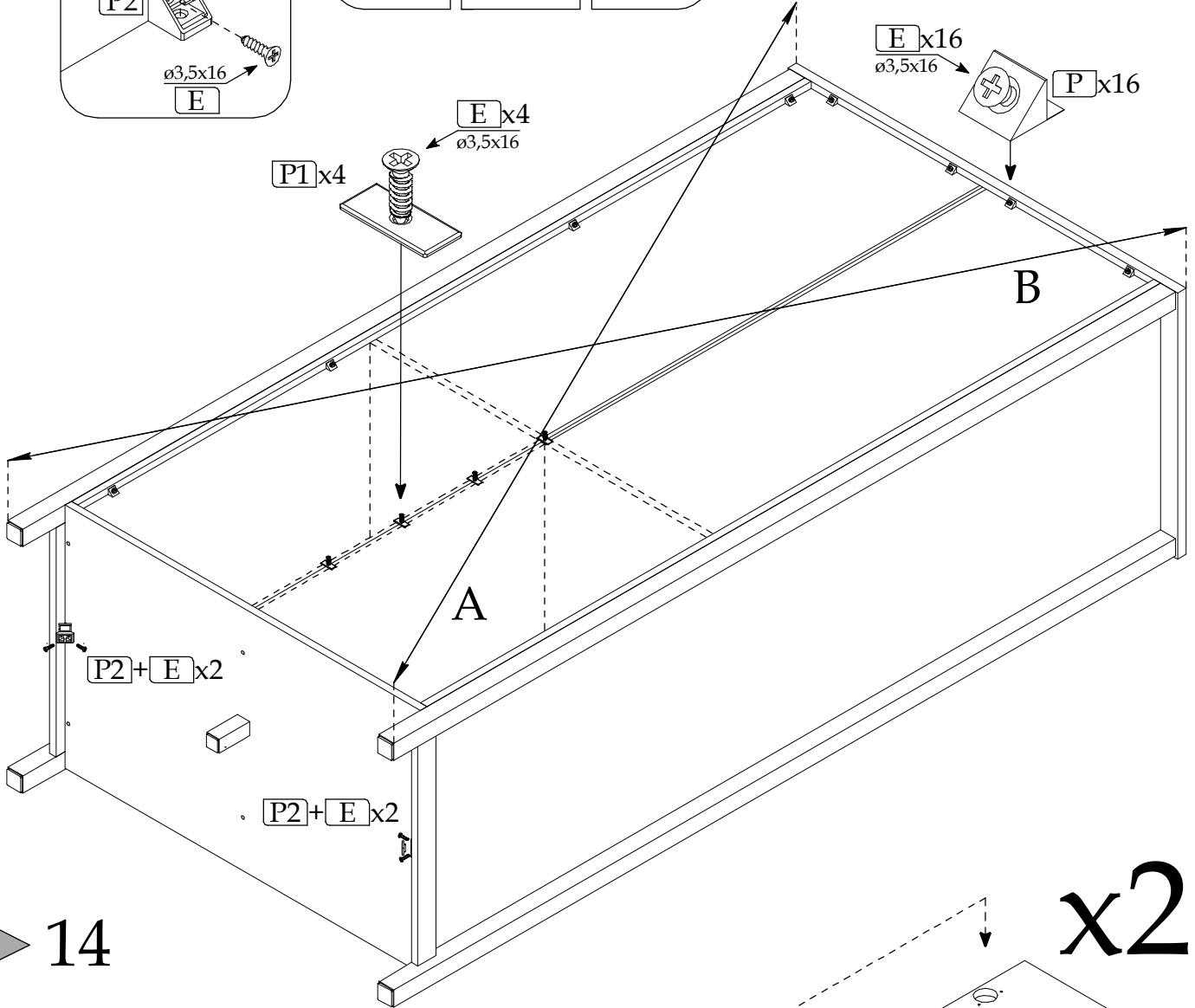
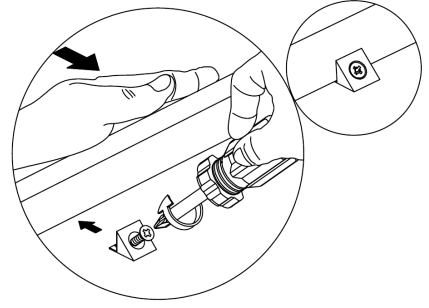
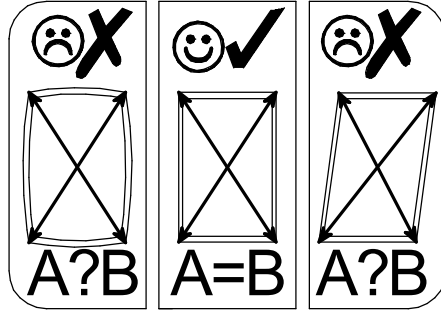
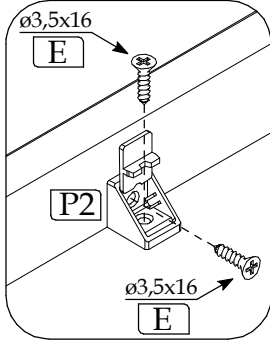
R2 x4



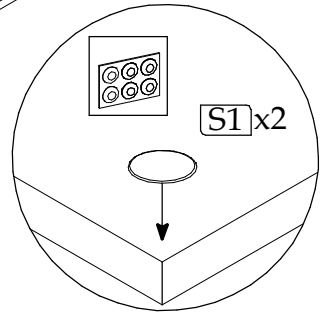
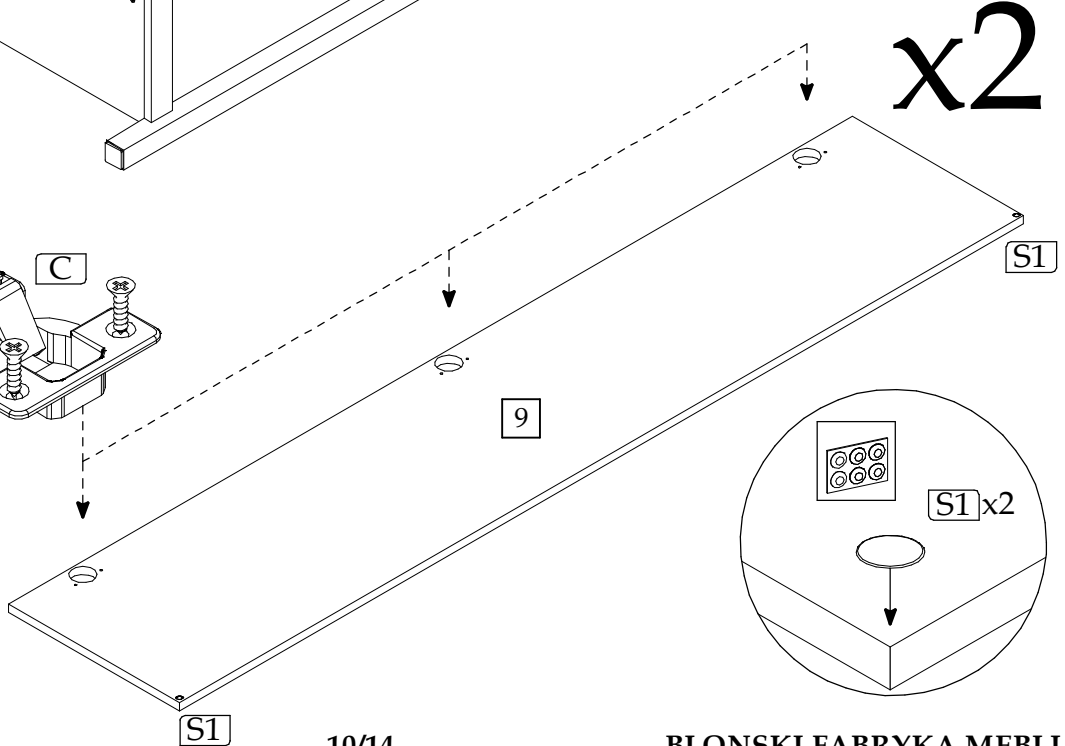
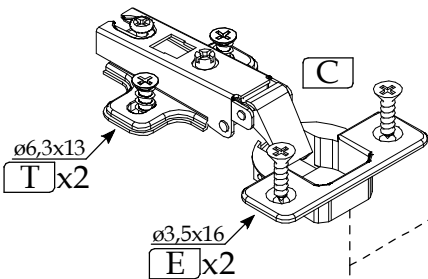
▶ 12

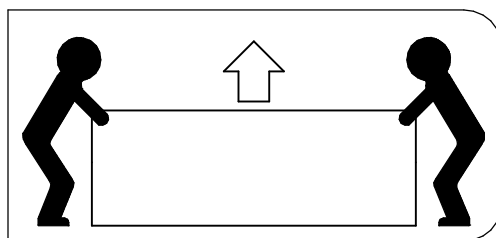
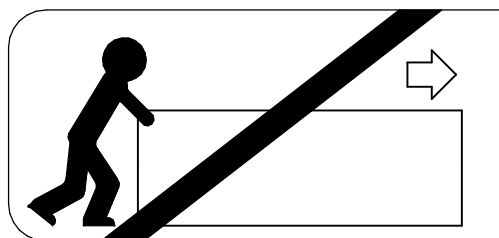
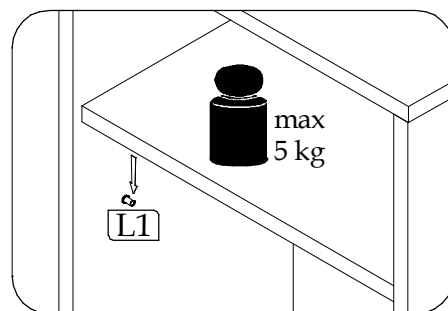
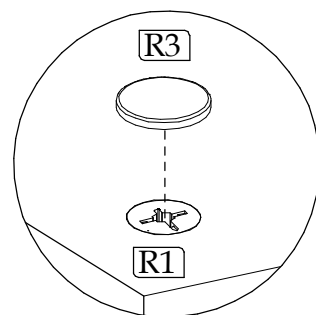
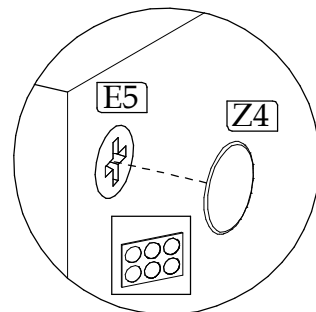
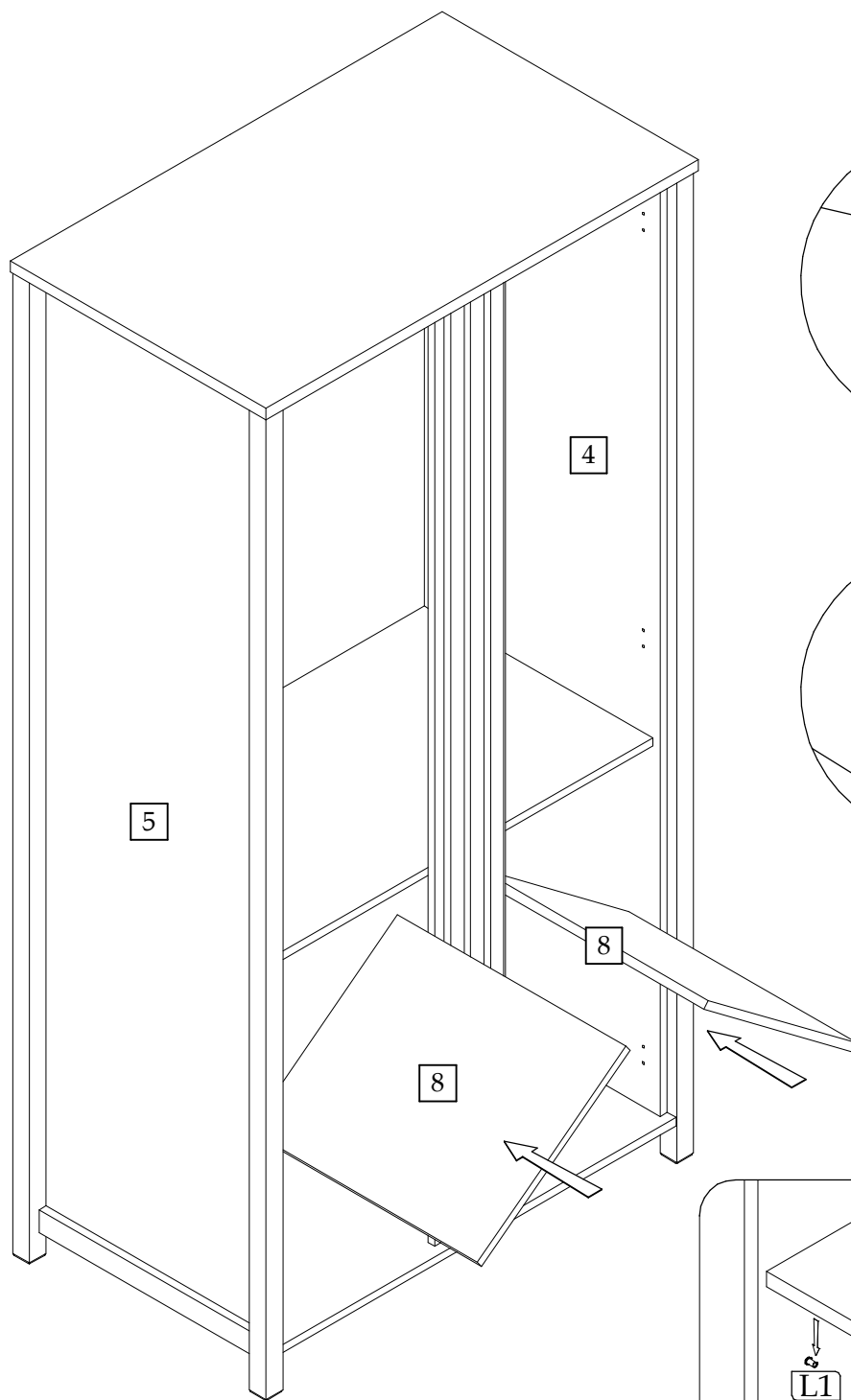


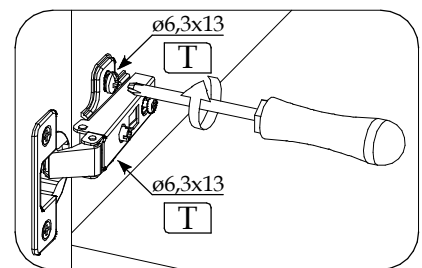
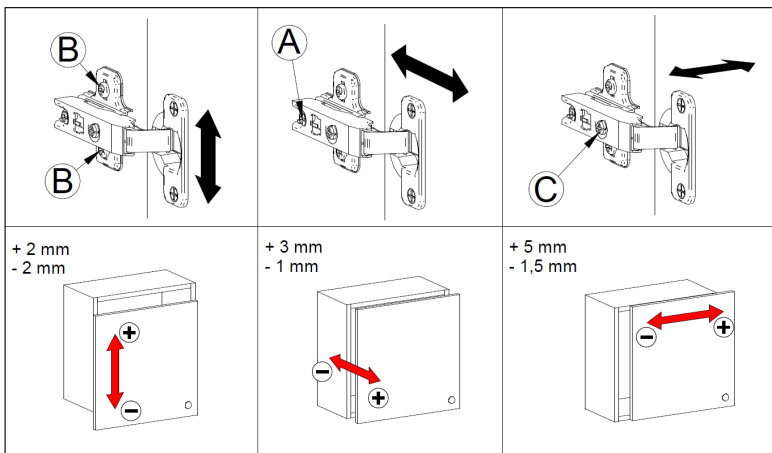
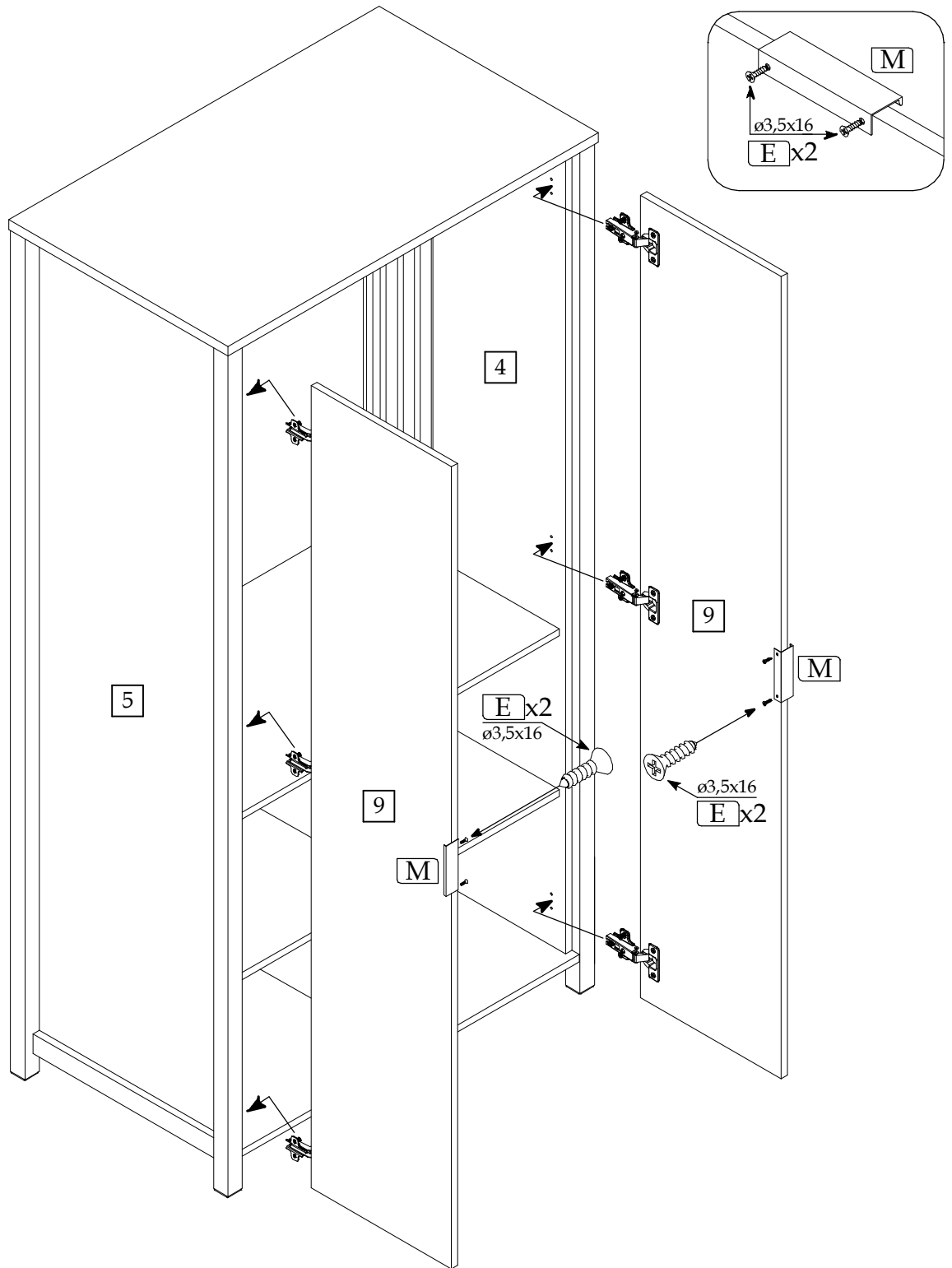
▶ 13



▶ 14







▶ 17

