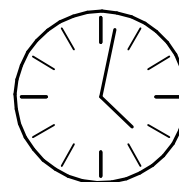
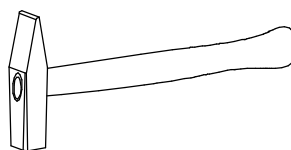
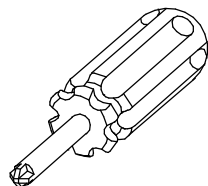
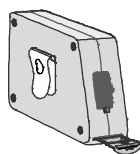
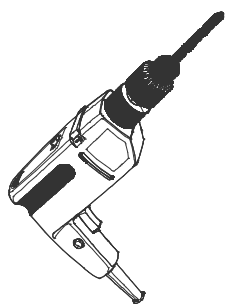
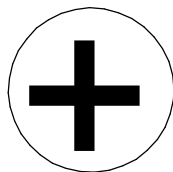
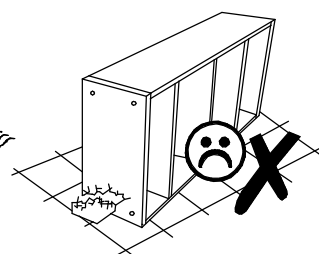
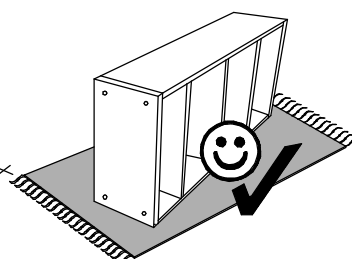
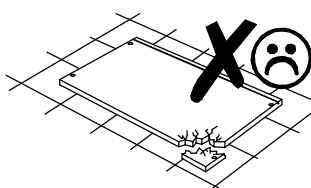
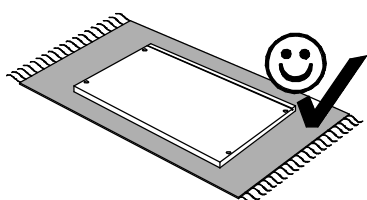
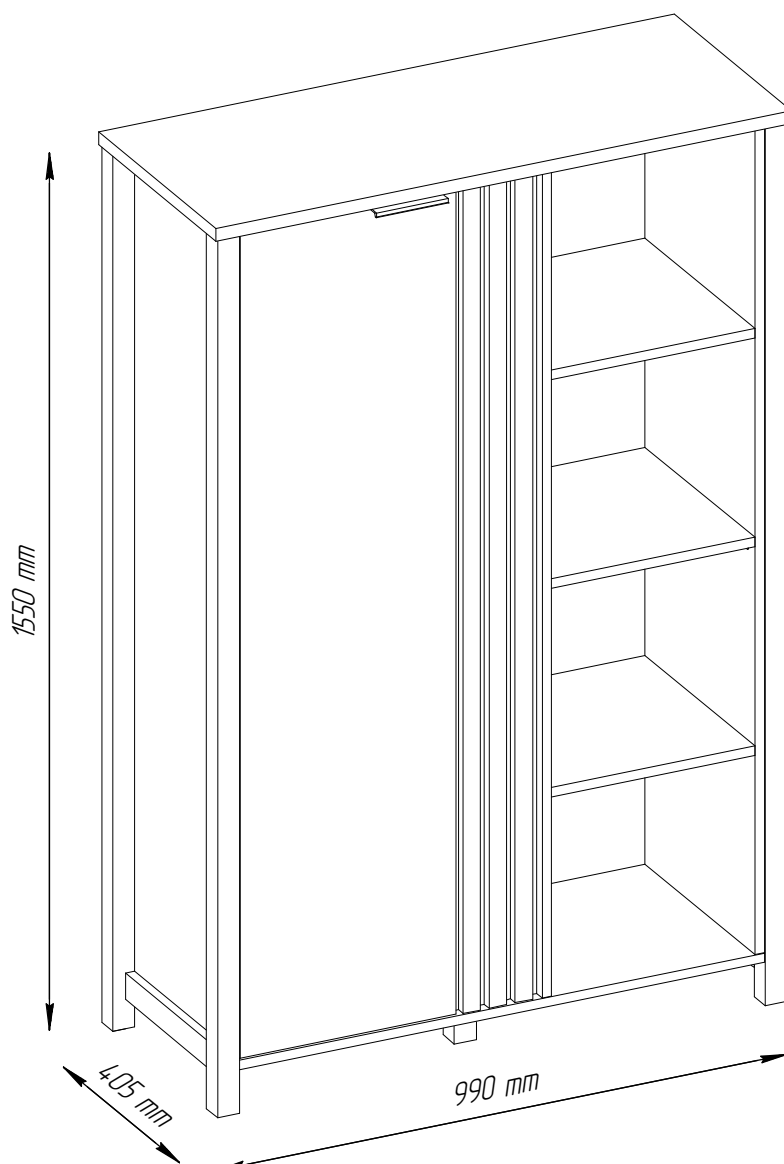
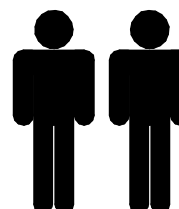
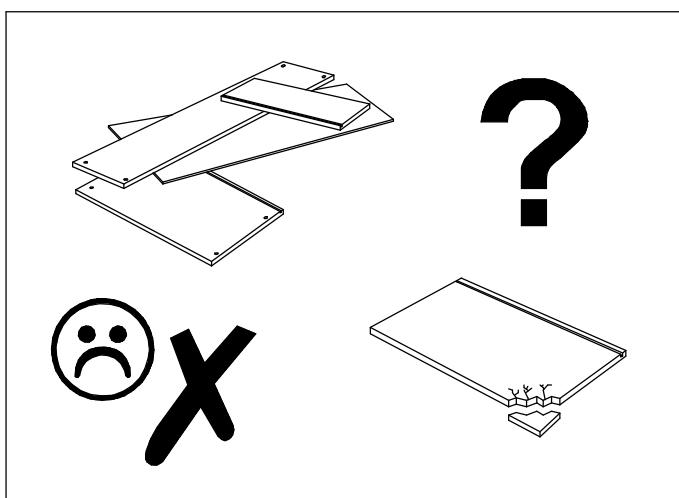
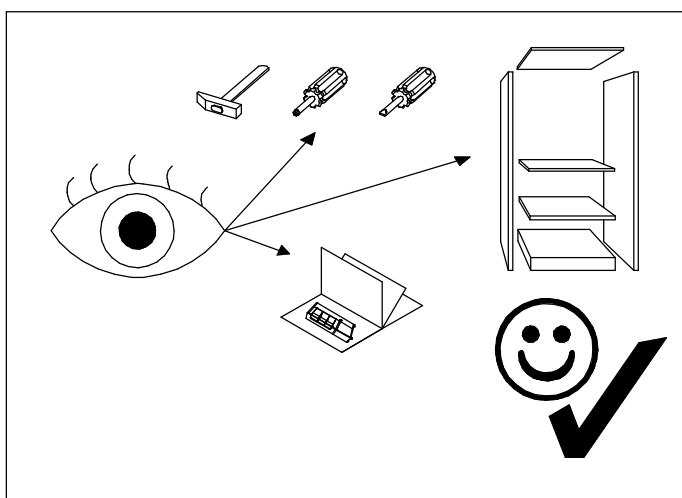
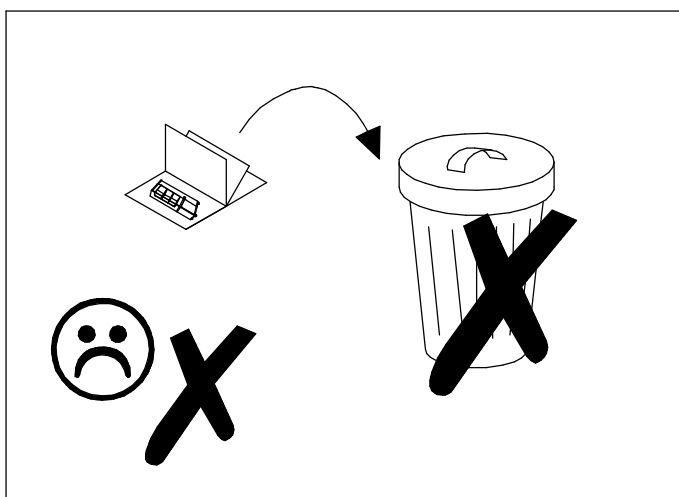
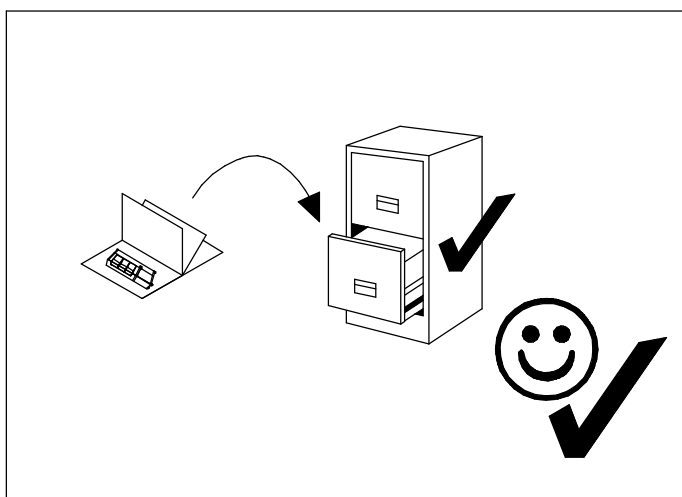
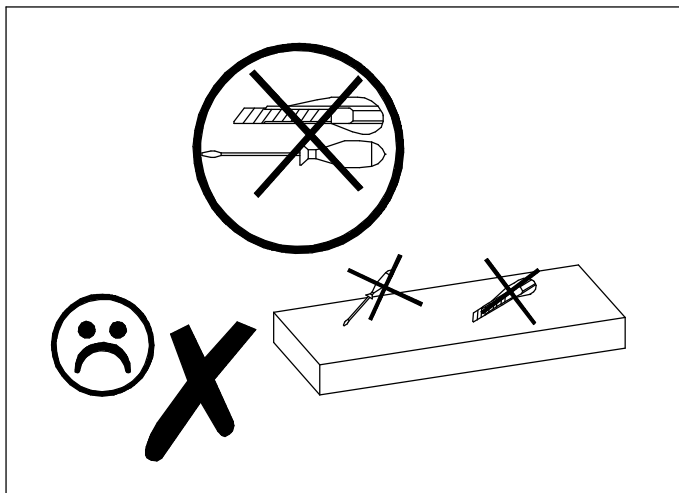
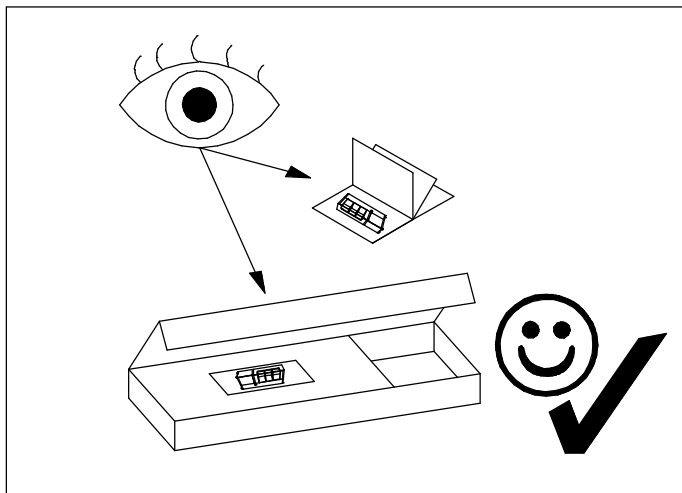


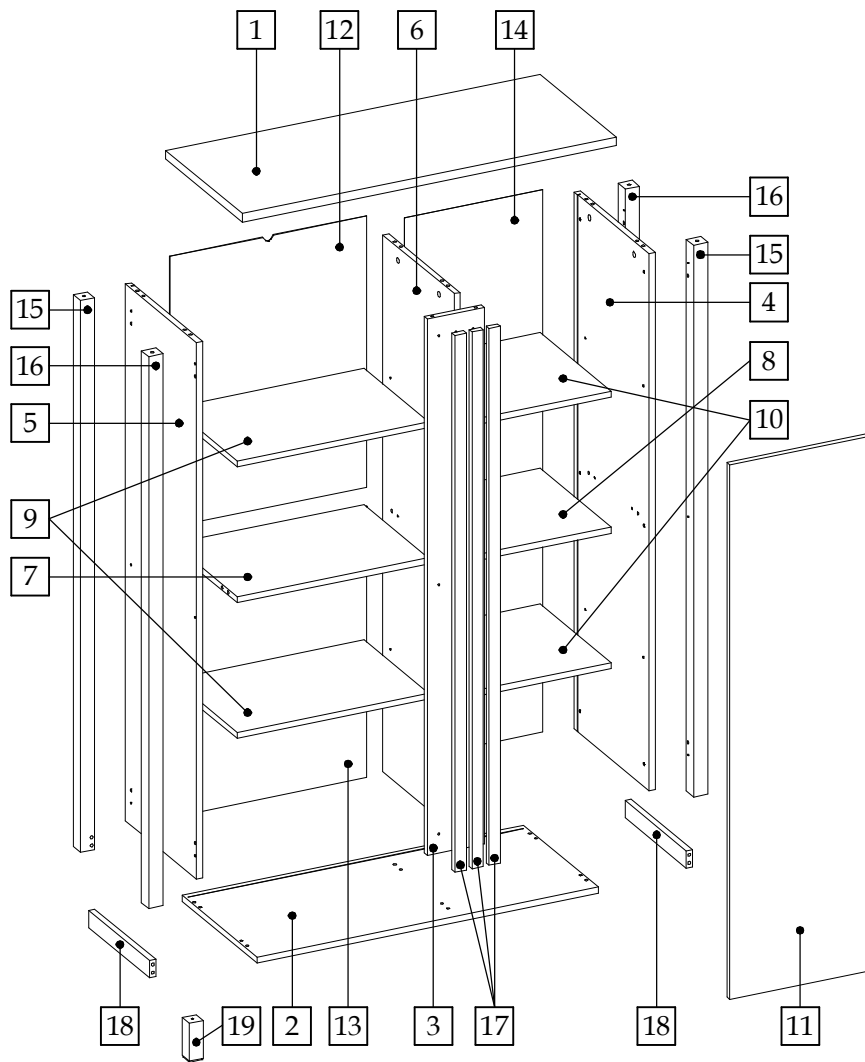
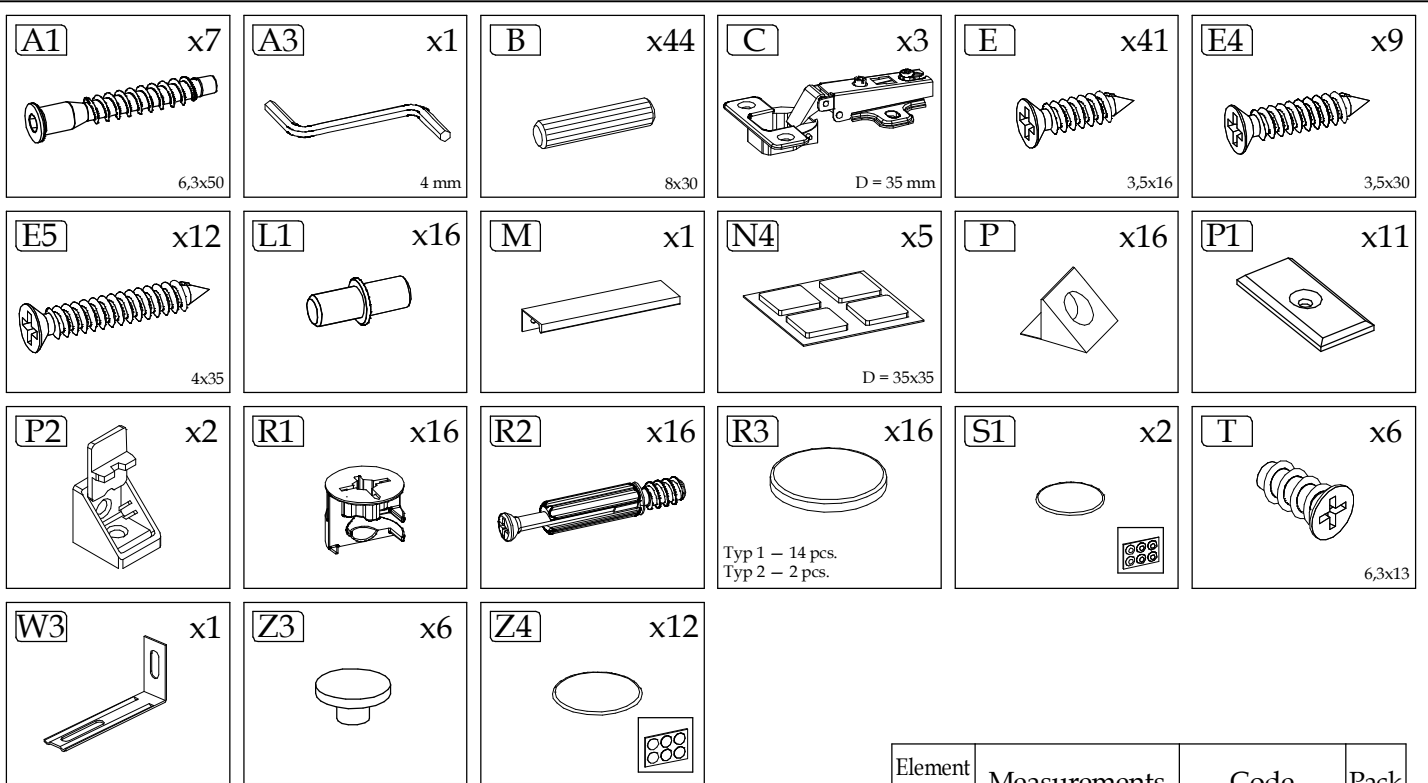
# HELIX EVOK I



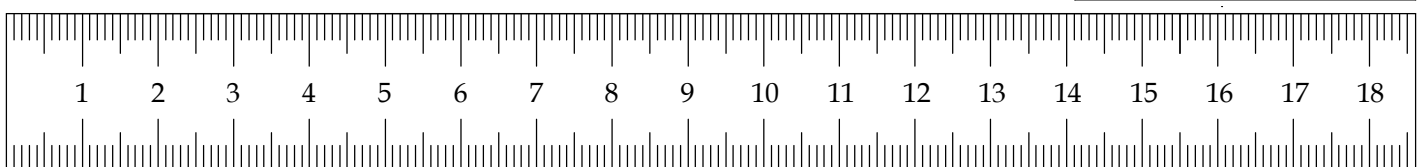
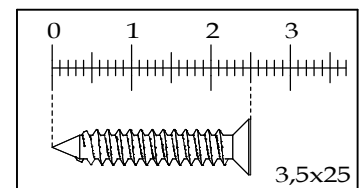
80 min

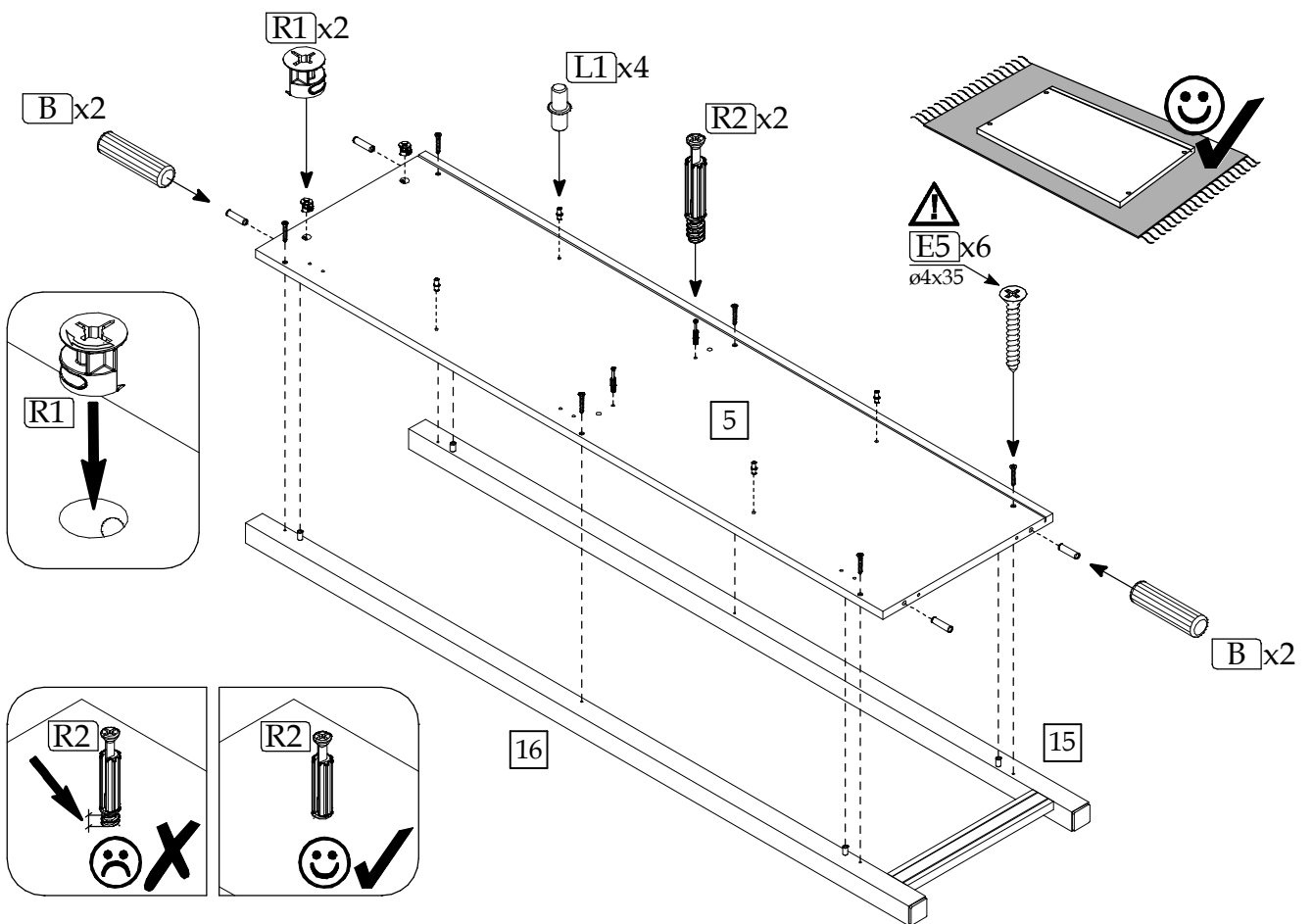
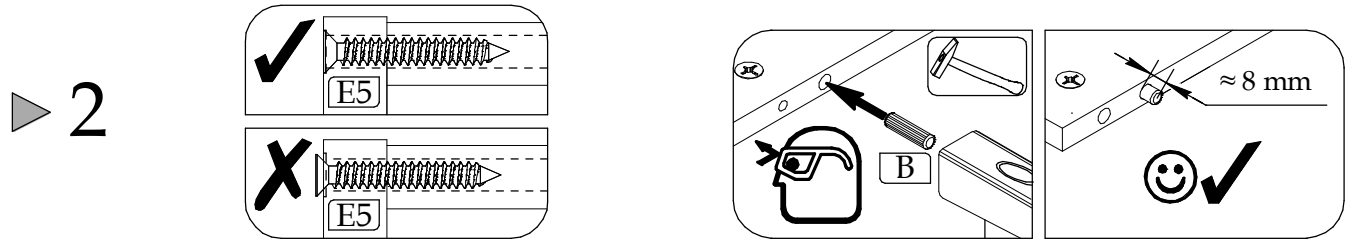
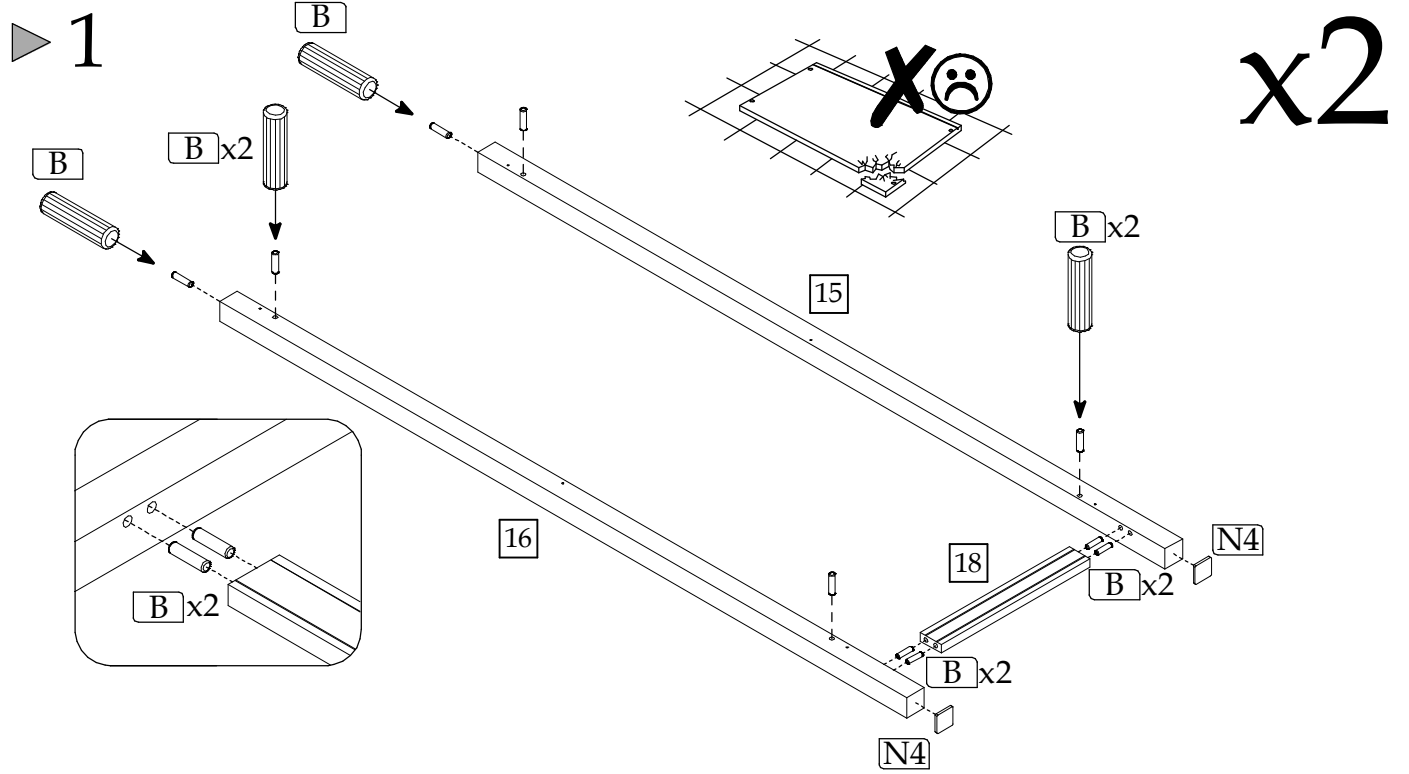




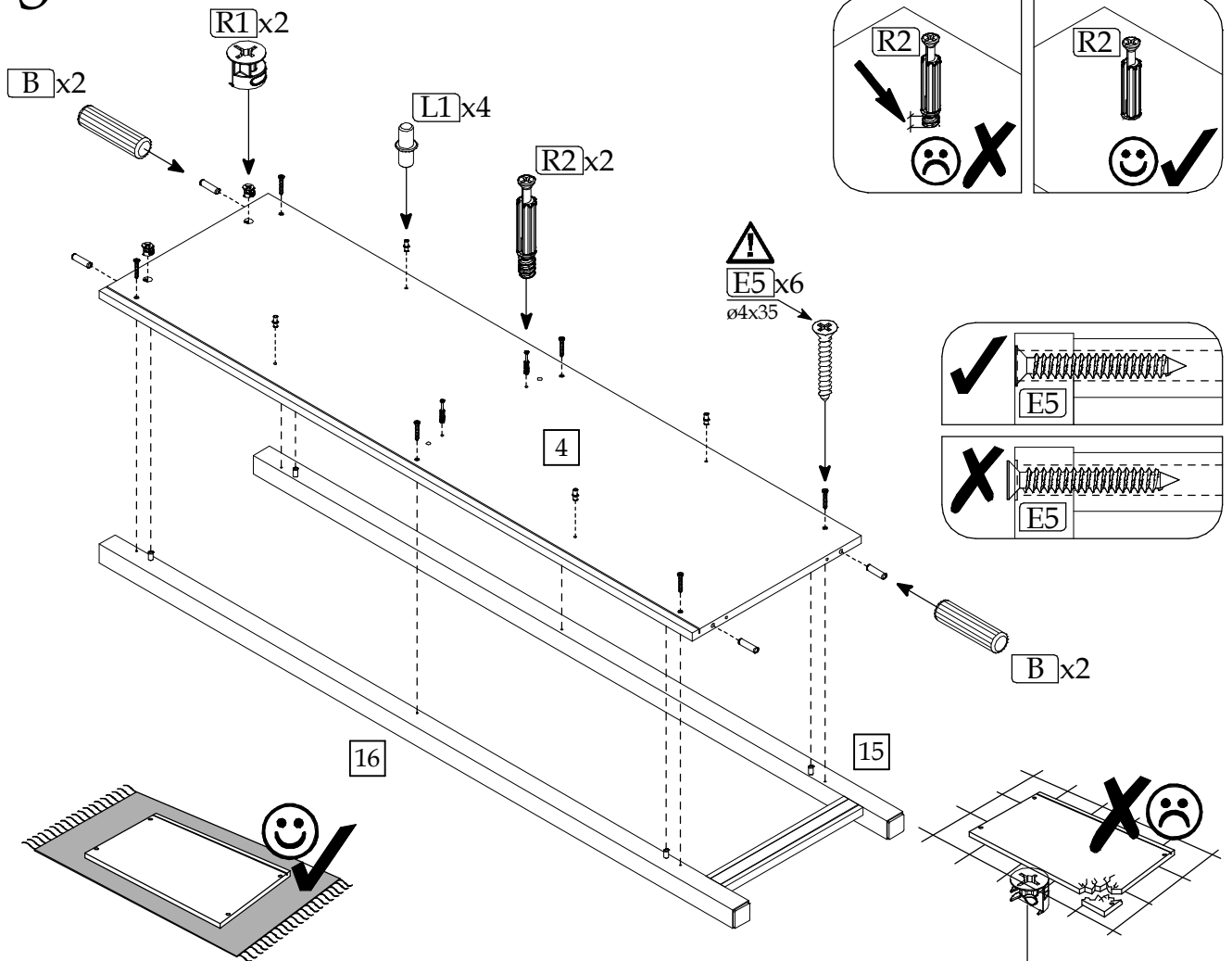


Element symbol	Measurements				Code	Pack
1	990	405	16	1	1001_EVOK	1/2
2	904	398	16	1	1012_EVOK	1/2
3	155	1394	16	1	1009	1/2
4	1394	397	16	1	1010	1/2
5	1394	378	16	1	1011	1/2
6	1394	379	16	1	1017	1/2
7	506	343	16	1	1014	1/2
8	350	378	16	1	1018	1/2
9	506	343	16	2	N/A	1/2
10	350	378	16	2	N/A	1/2
11	1388	372	16	1	1005	1/2
12	704	521	3	1	1020_v	1/2
13	704	521	3	1	N/A	1/2
14	1408	365	3	1	N/A	1/2
15	1433	38	38	2	EVOK_1530x38_T1	2/2
16	1433	38	38	2	EVOK_1530x38_T2	2/2
17	1394	30	16	3	P16_1394x30x16	1/2
18	324	45	16	2	P16_324x45x16	1/2
19	120	38	38	1	EVOK_120x38x38	1/2

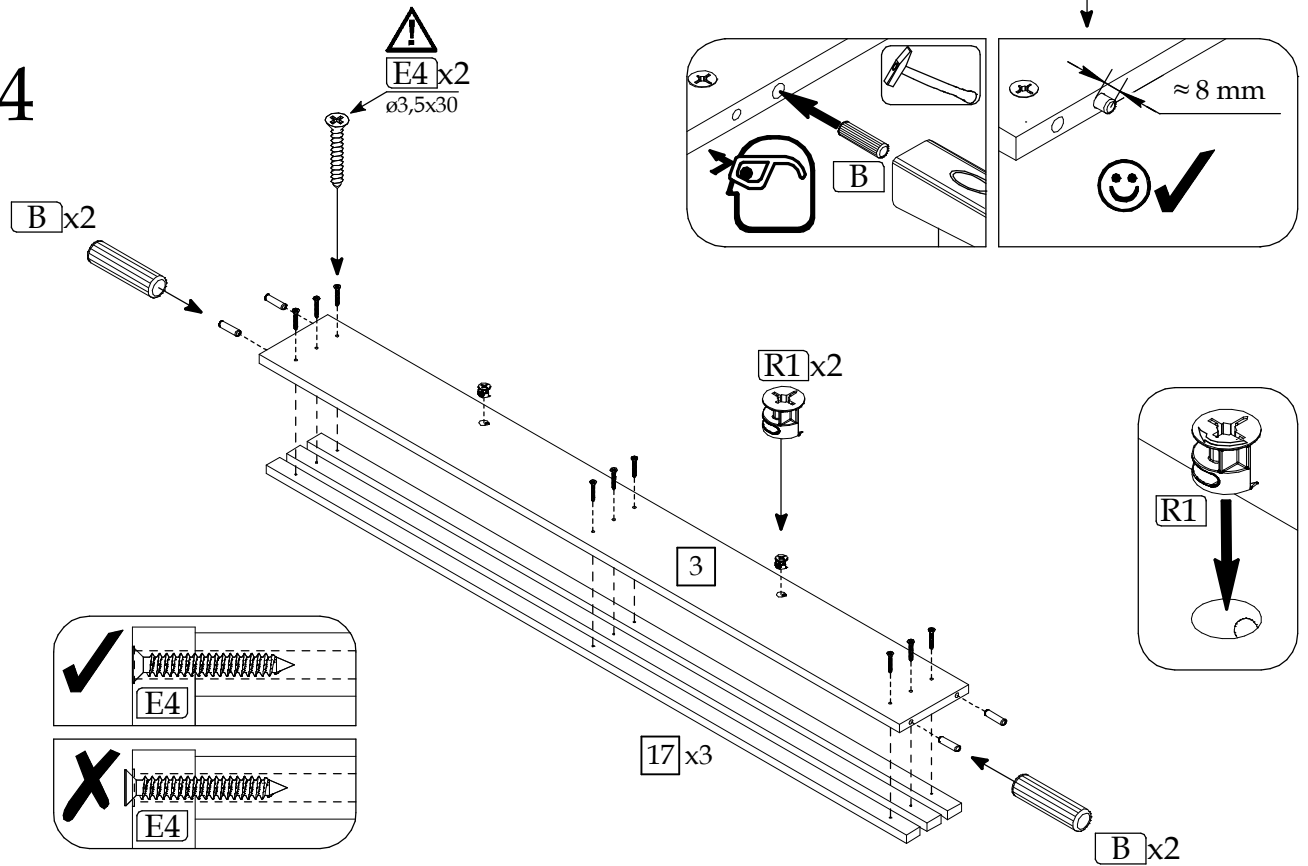




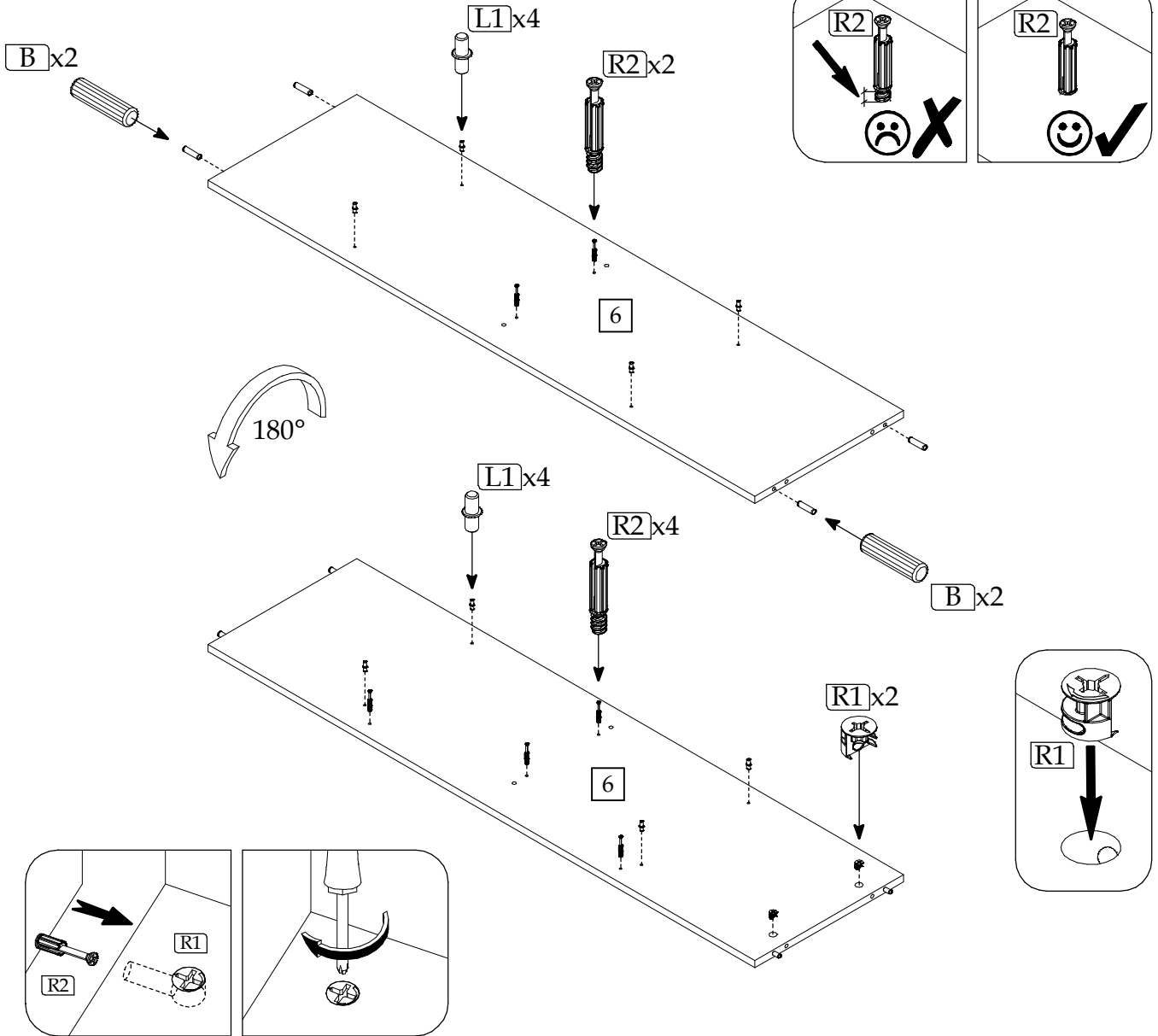
▶ 3



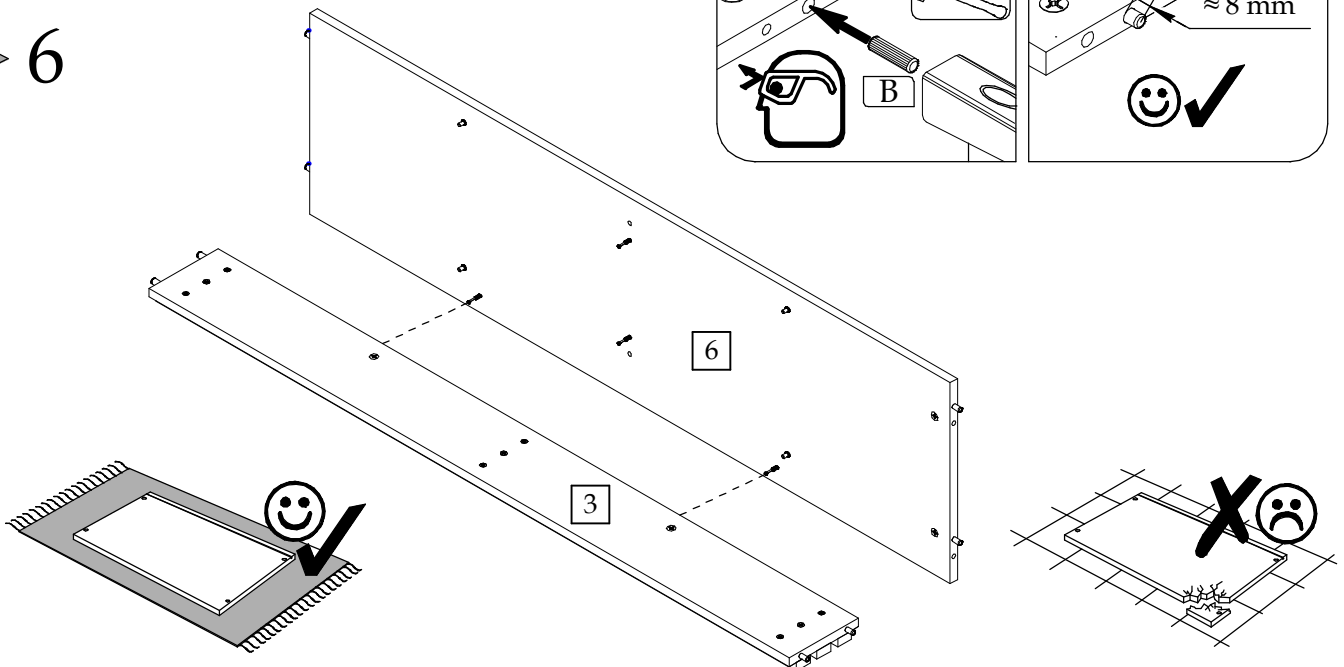
▶ 4

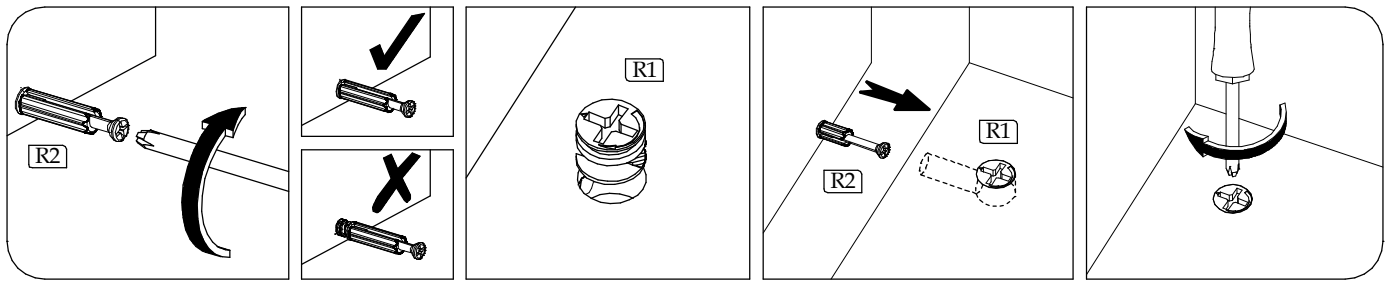


▶ 5

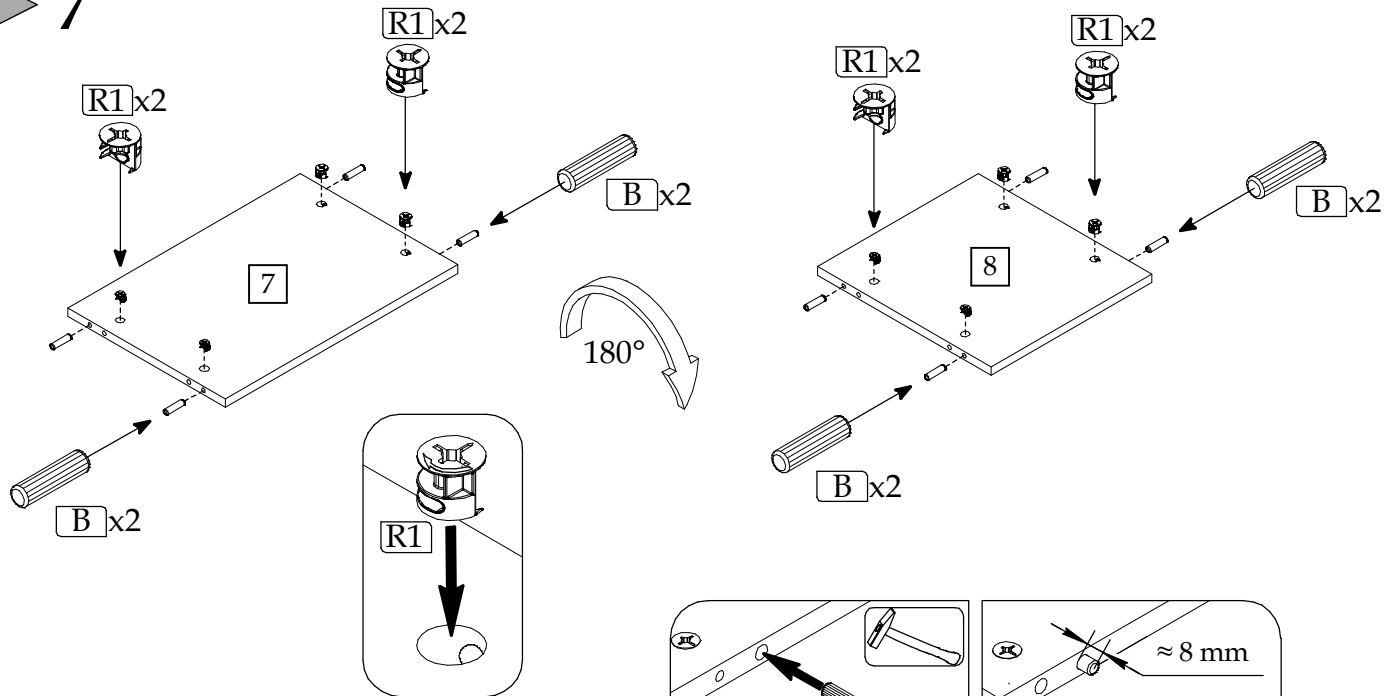


▶ 6

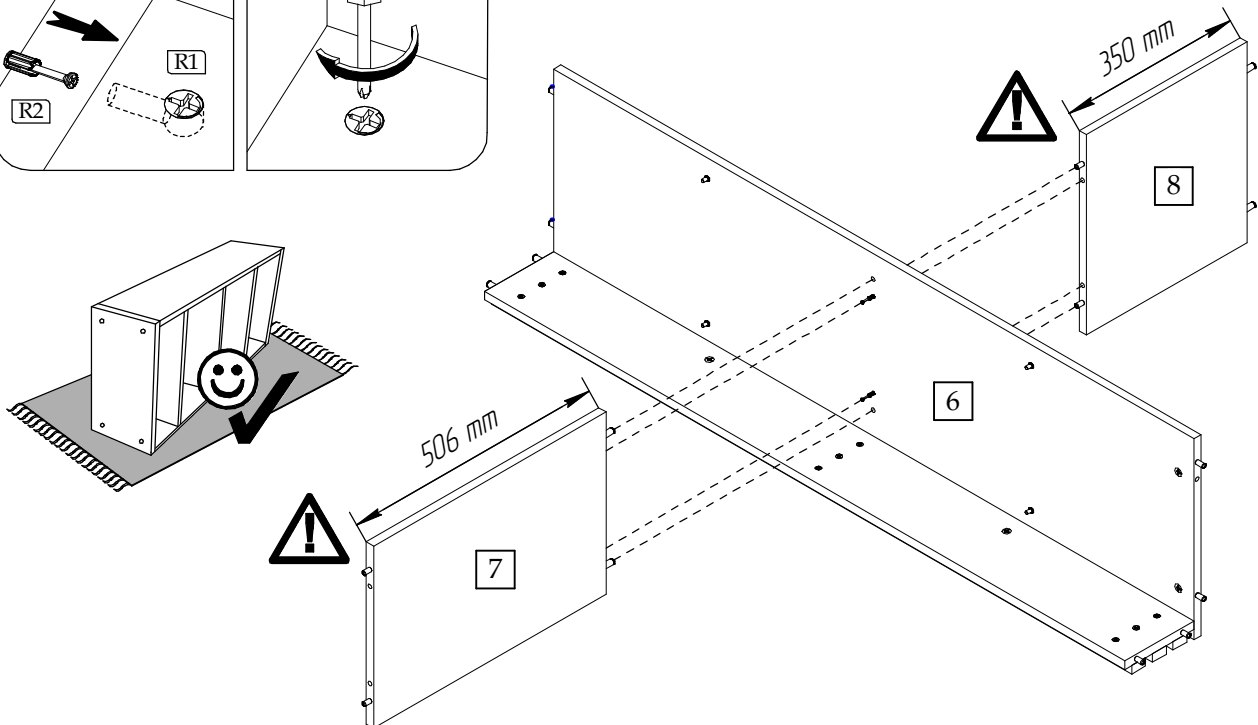
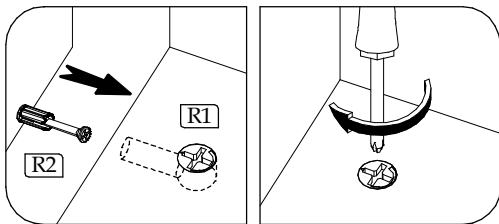
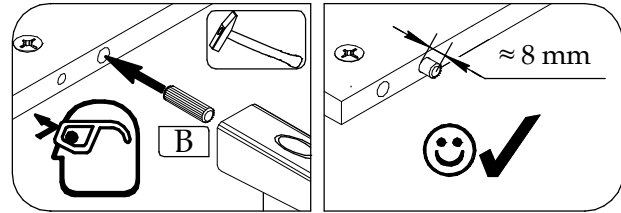


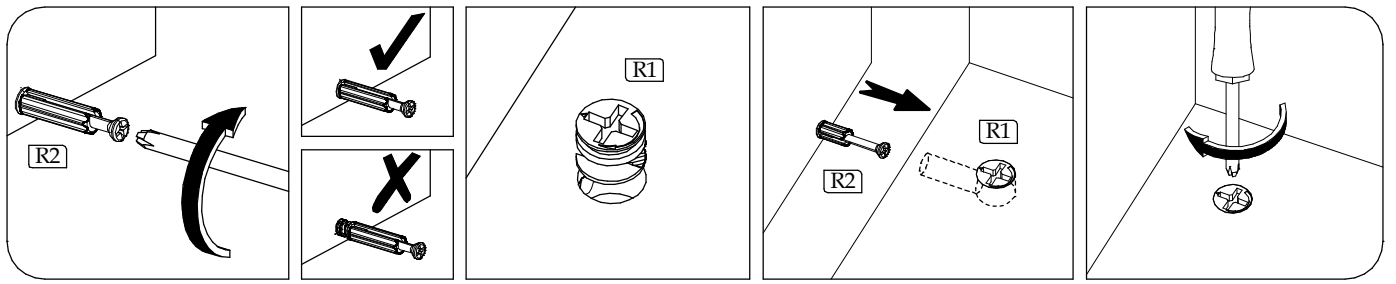


▶ 7

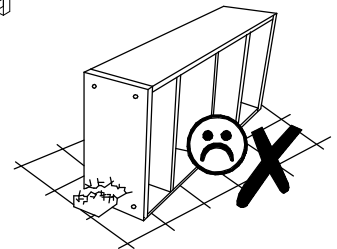
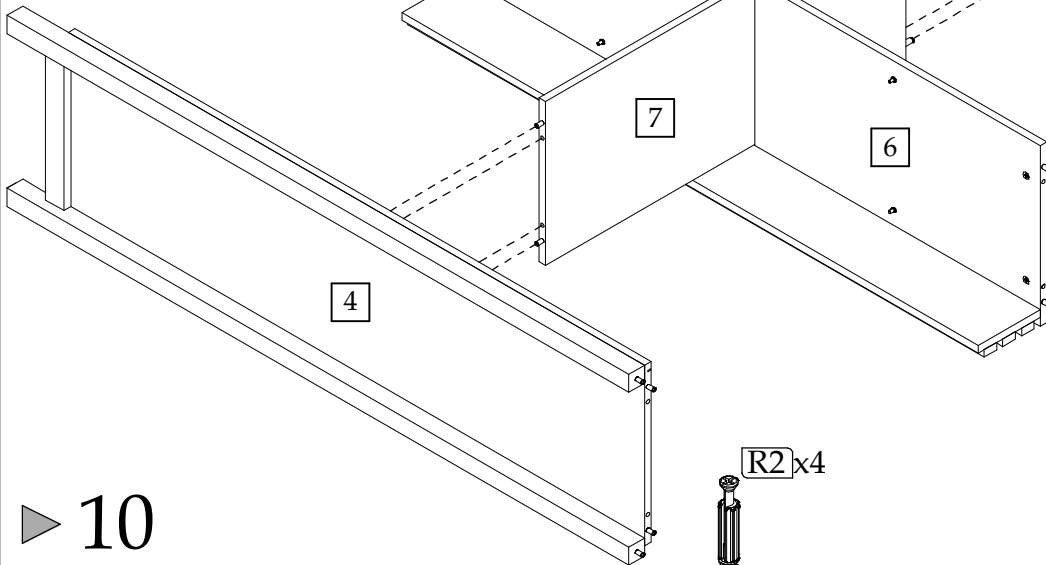
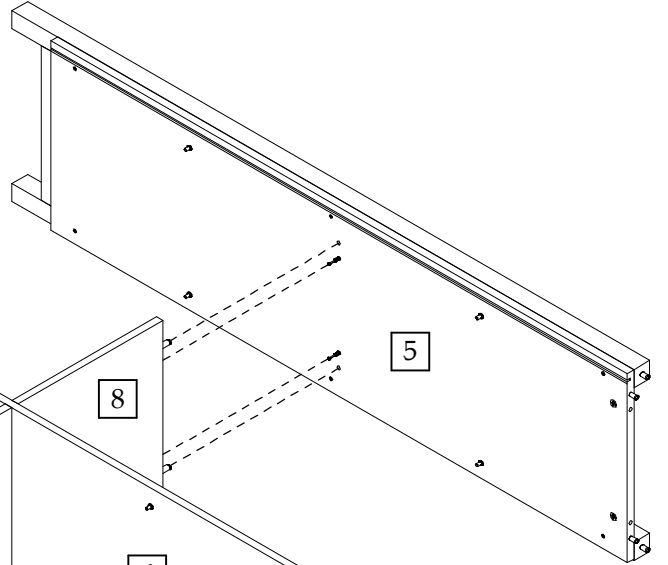
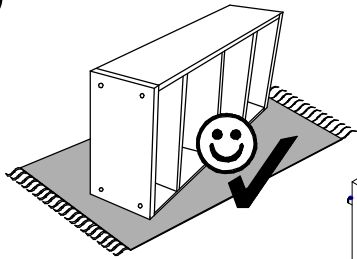


▶ 8

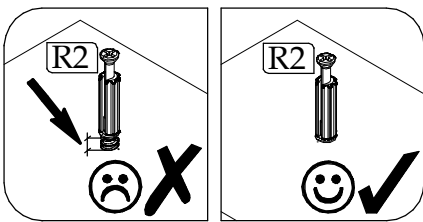




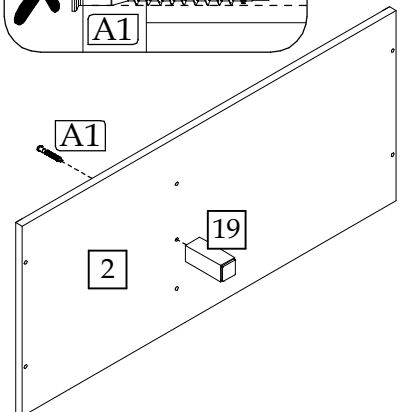
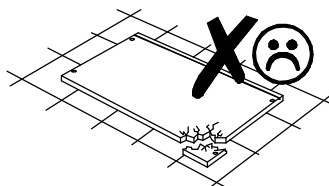
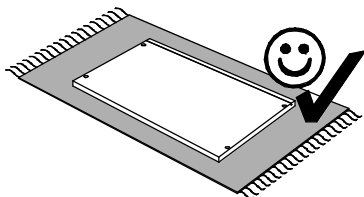
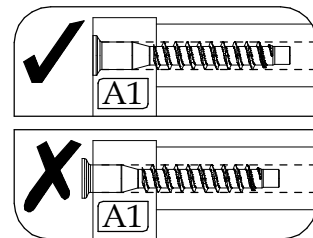
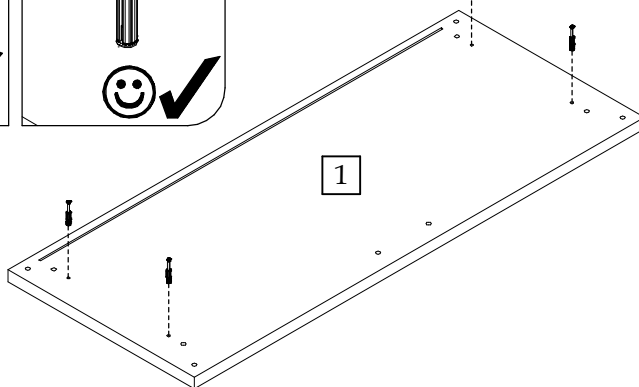
► 9



► 10

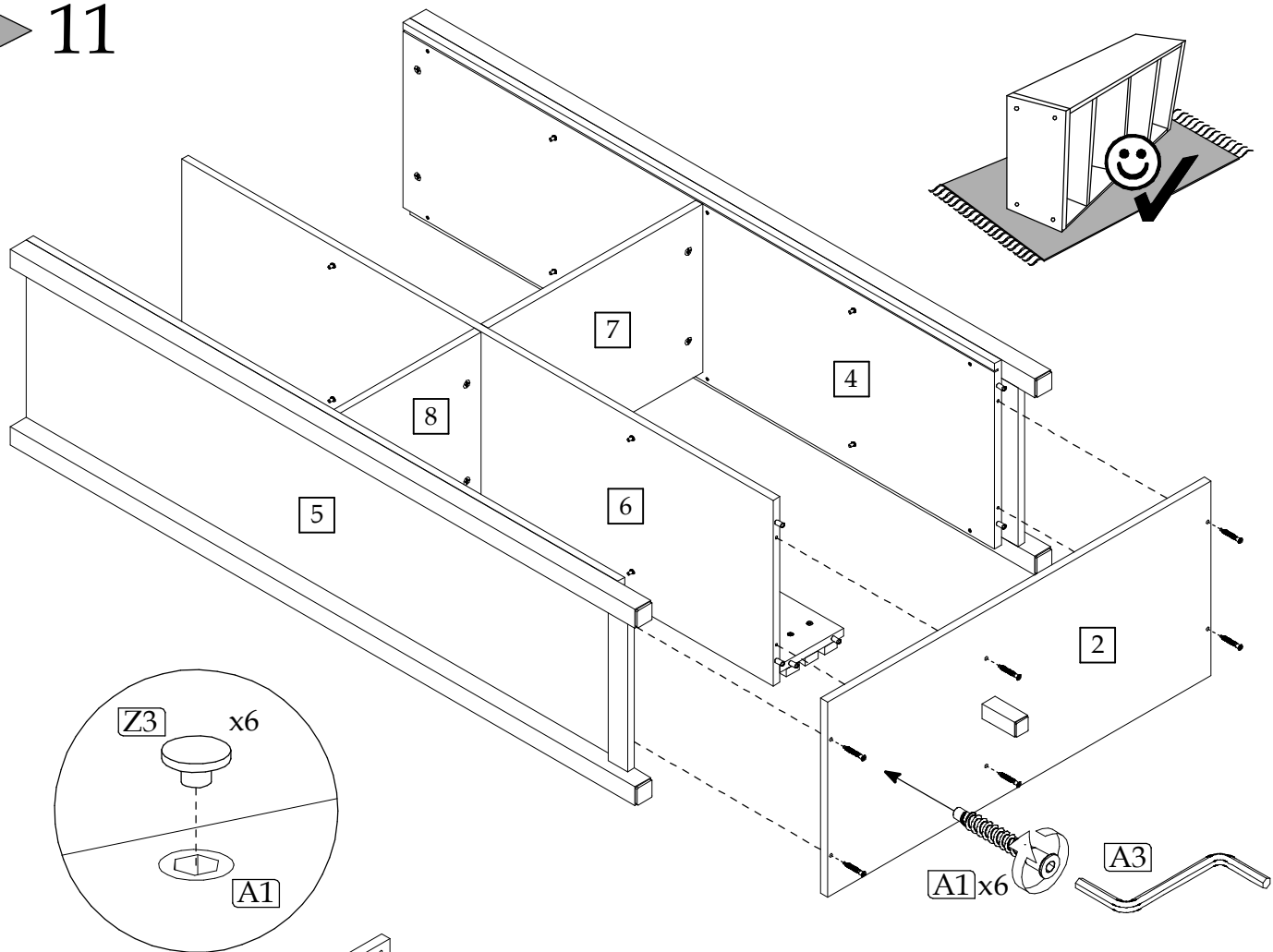


R2 x4

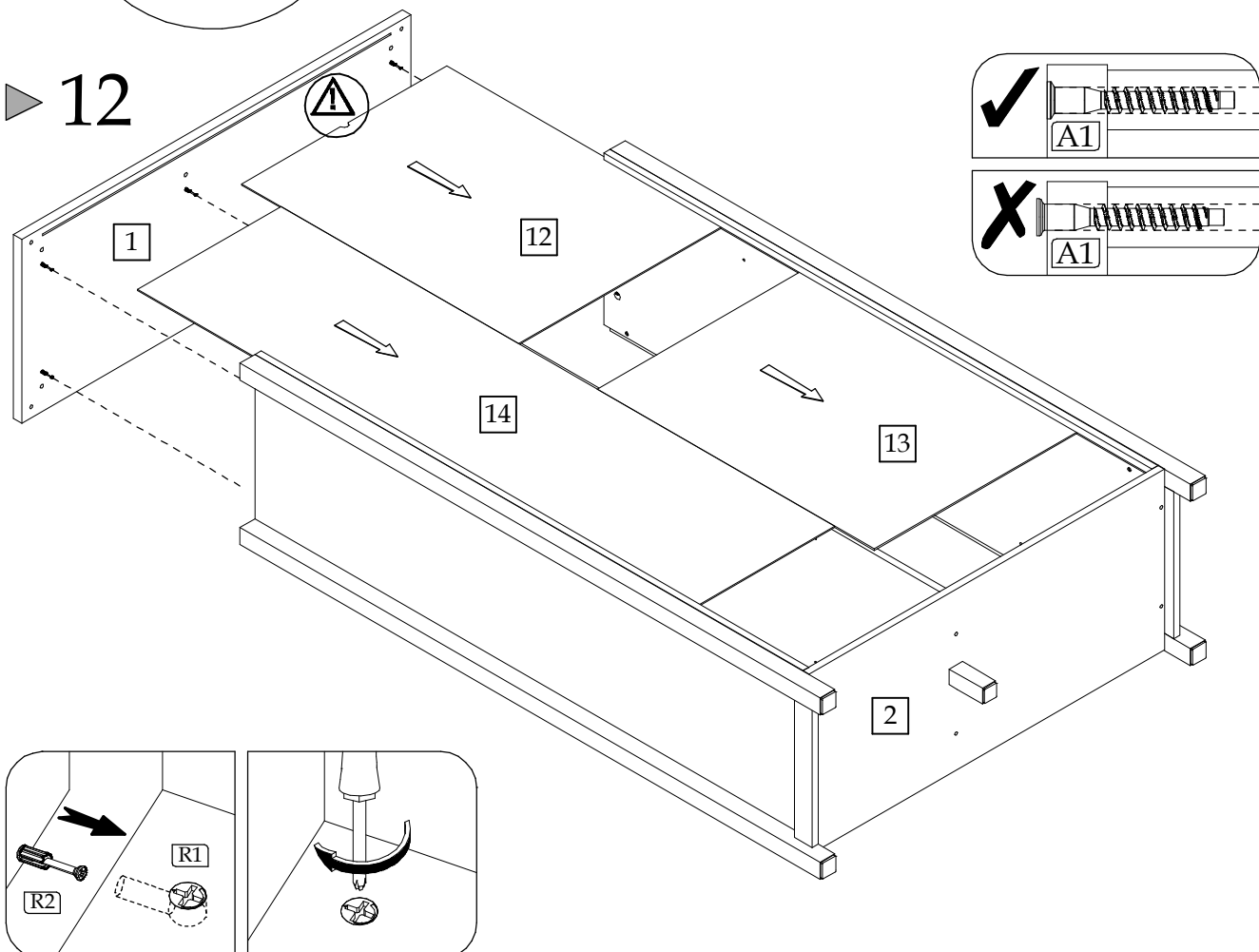




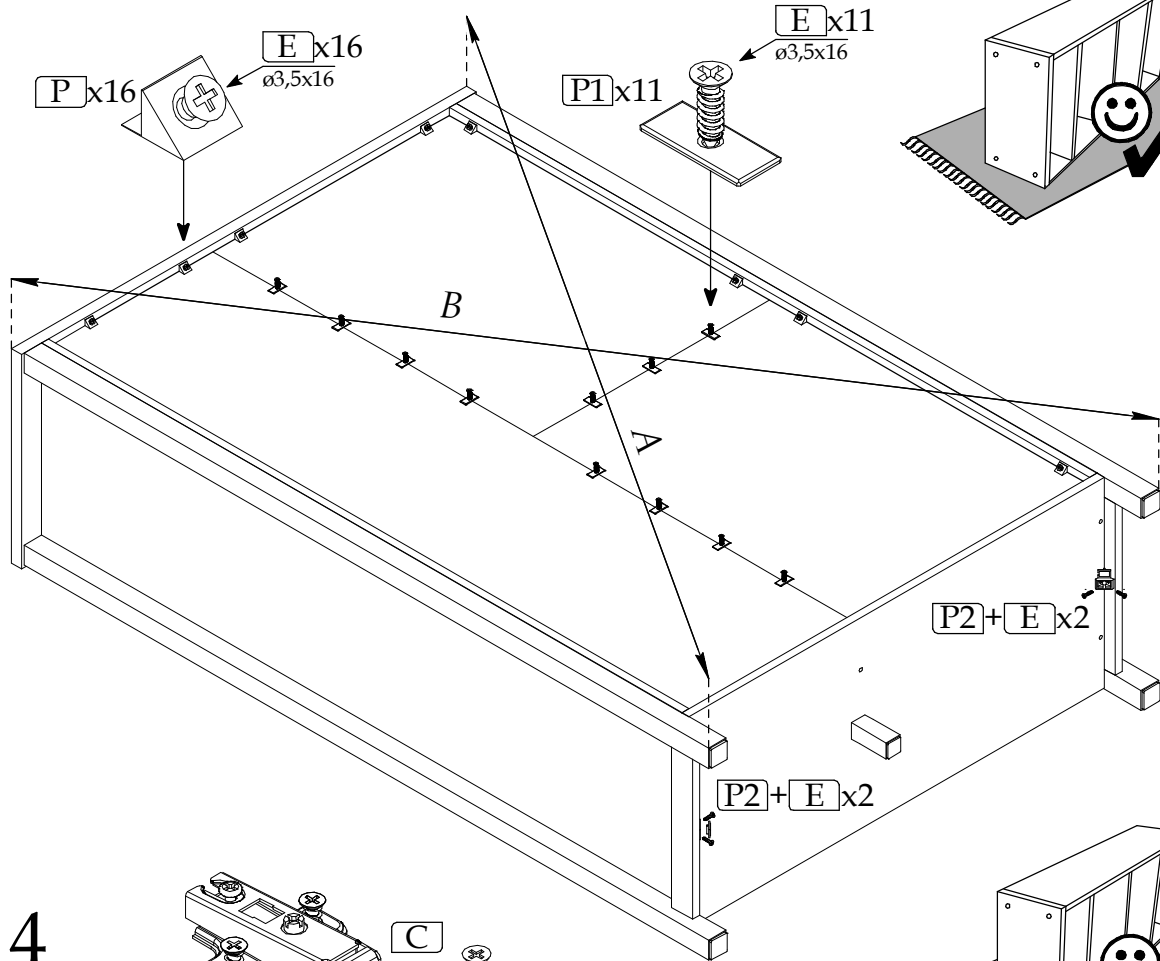
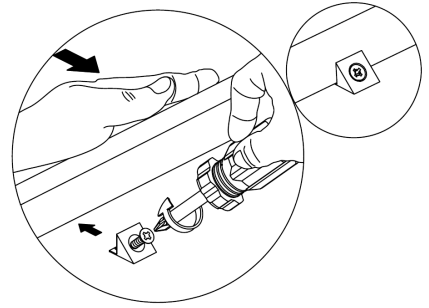
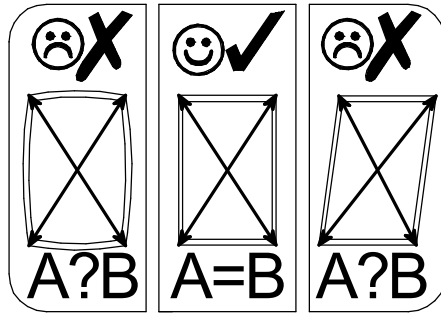
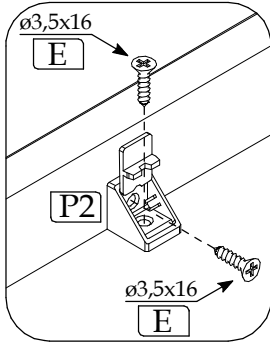
▶ 11



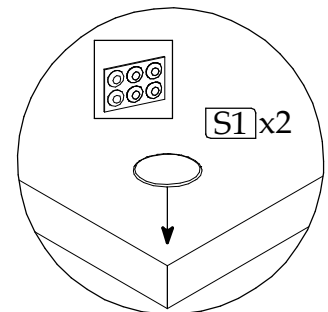
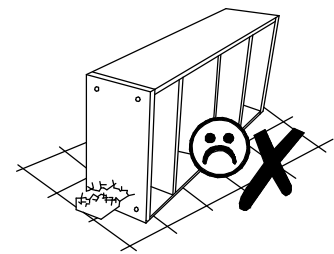
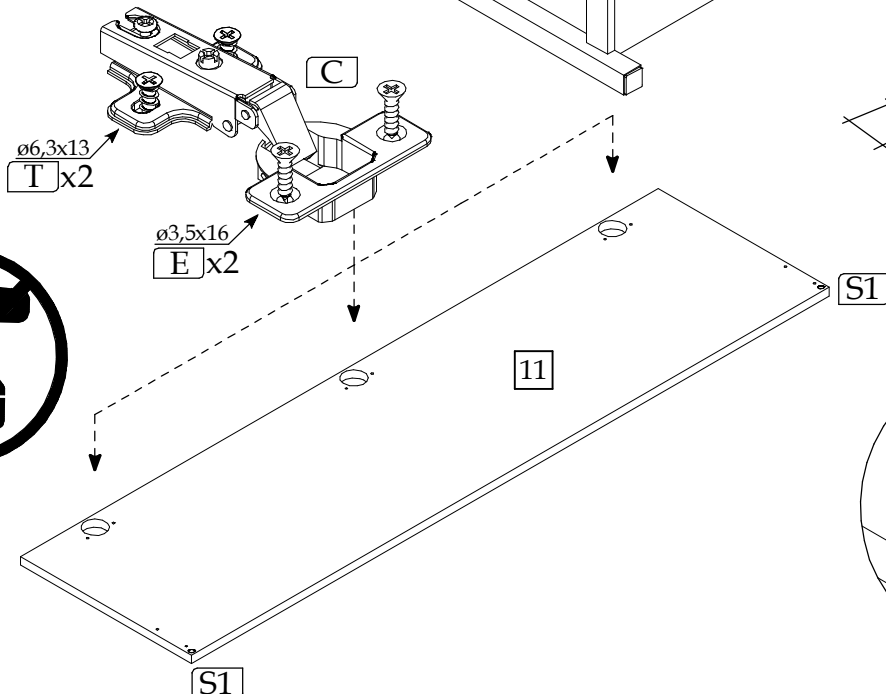
▶ 12



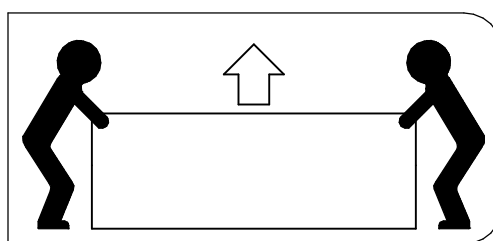
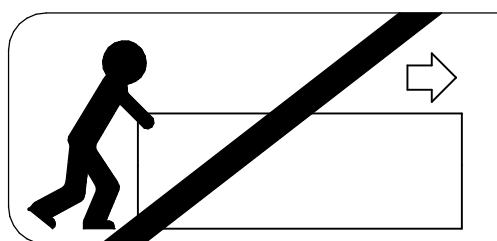
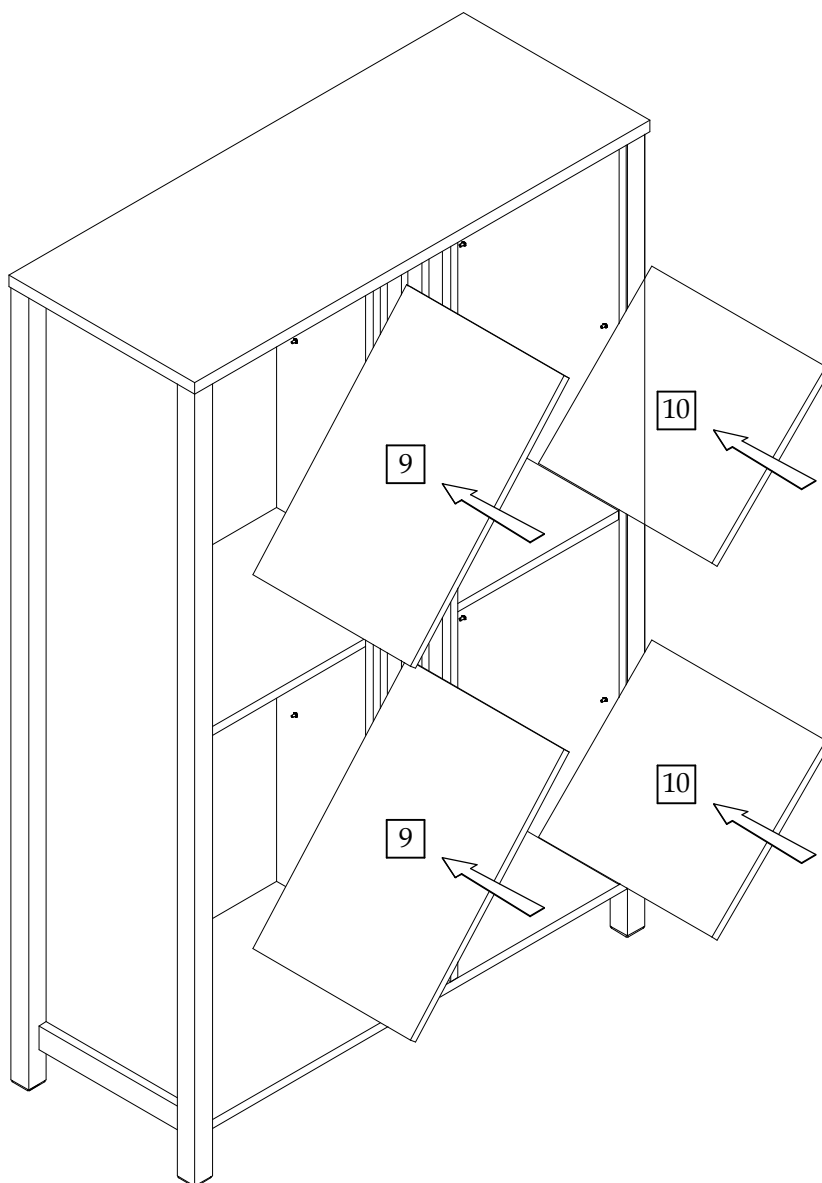
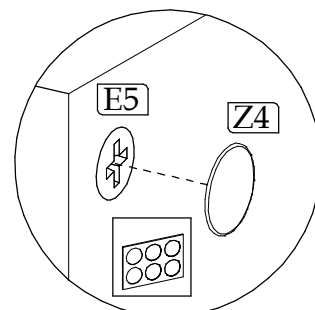
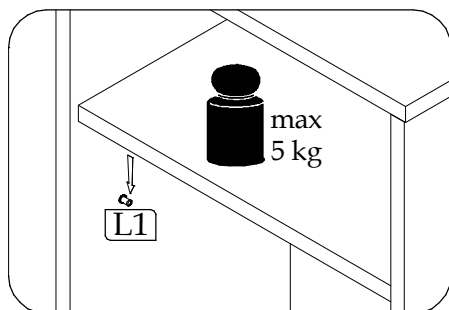
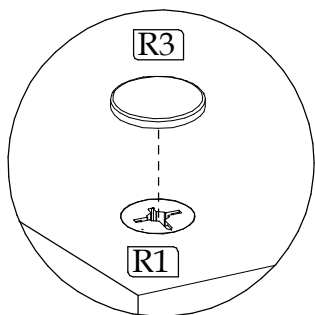
▶ 13



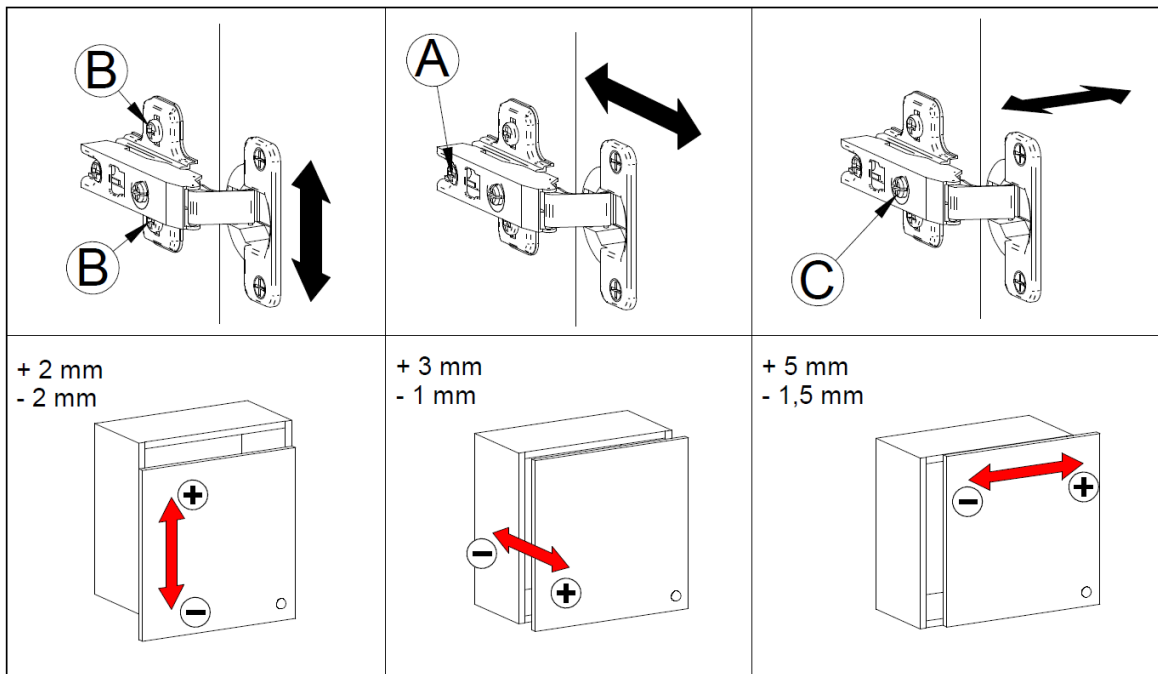
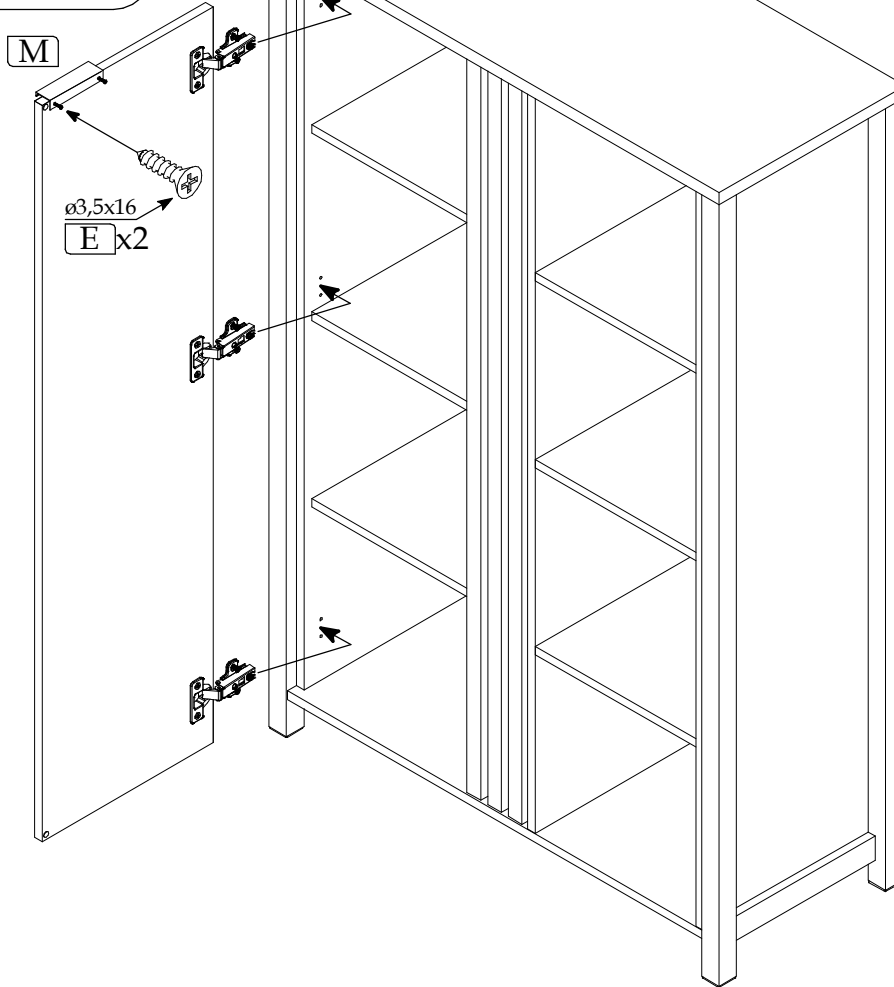
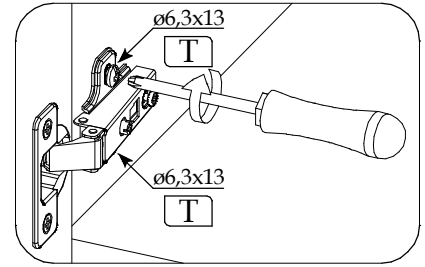
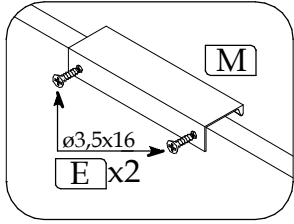
▶ 14



▶ 15



▶ 16



▶ 17

