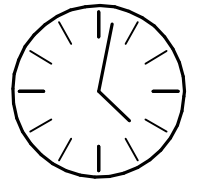
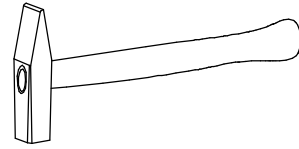
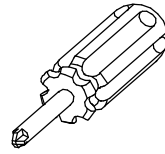
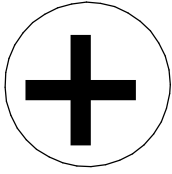
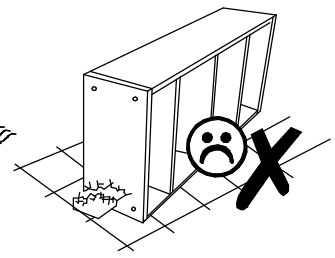
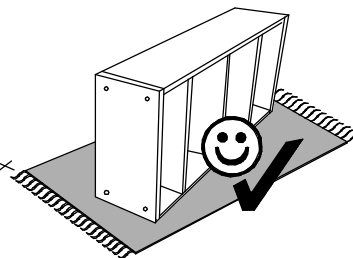
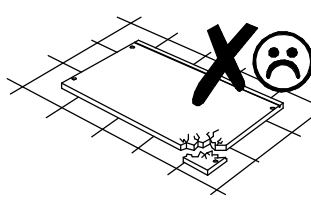
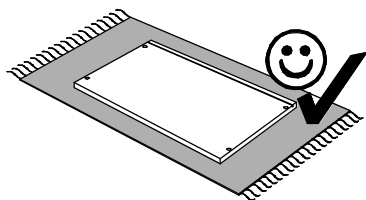
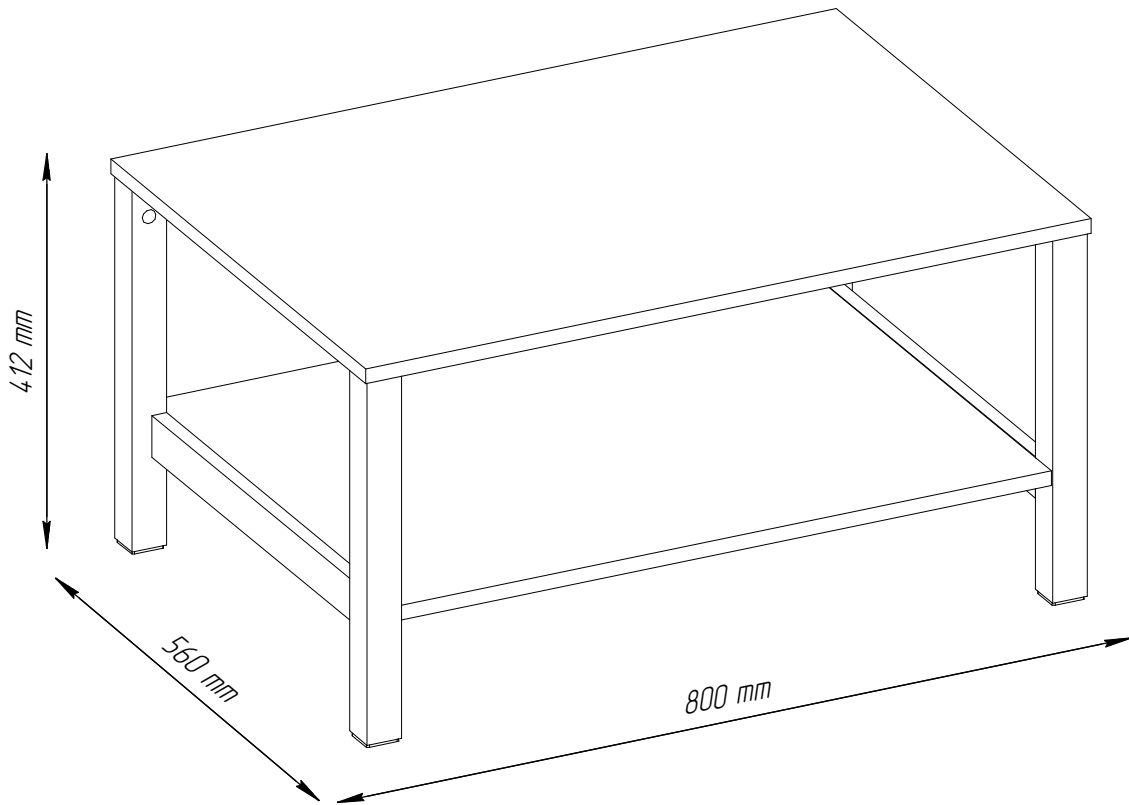
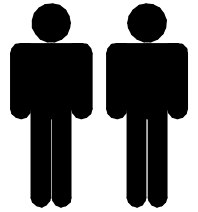
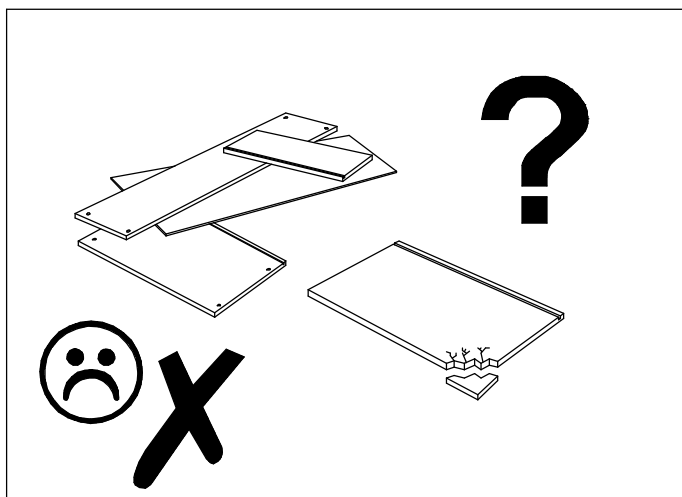
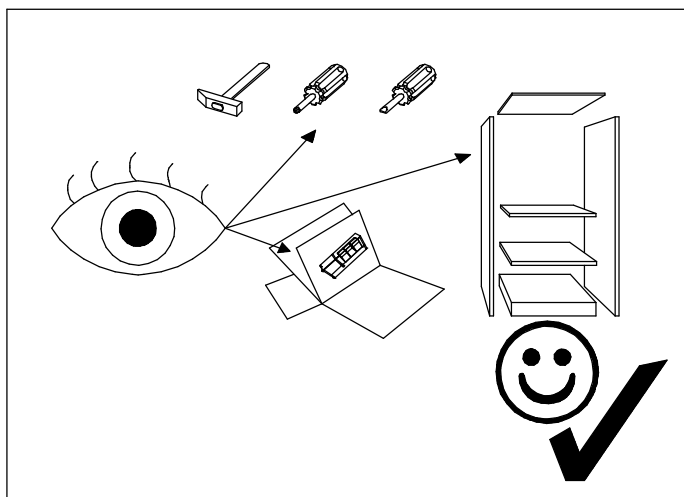
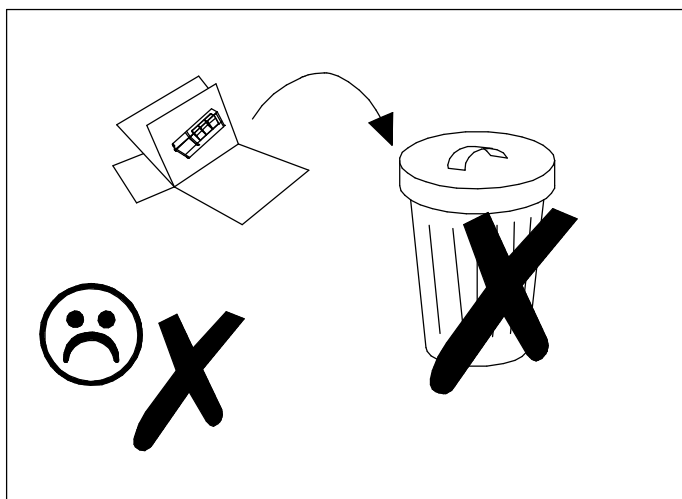
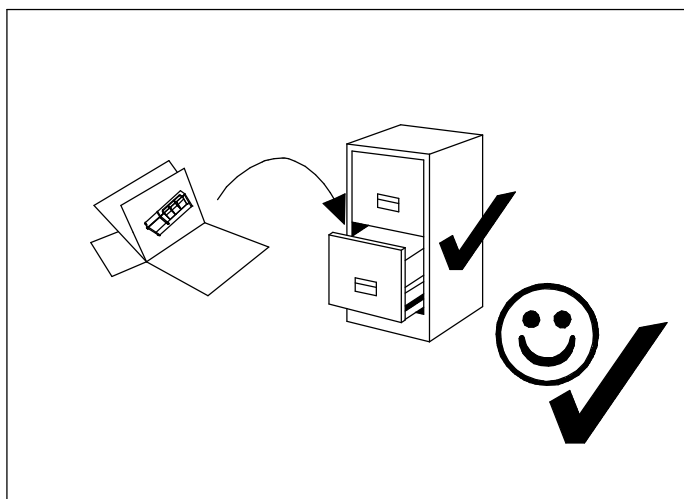


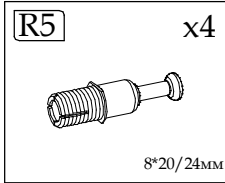
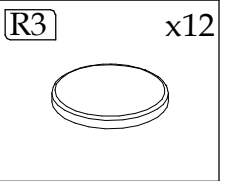
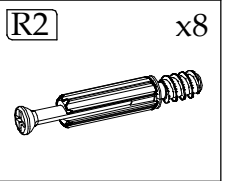
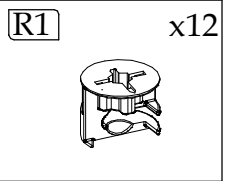
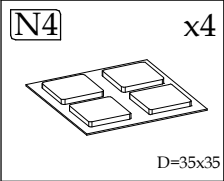
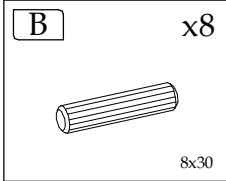
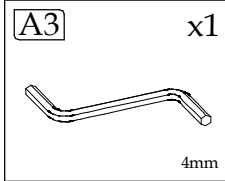
HELIX EVOK T2



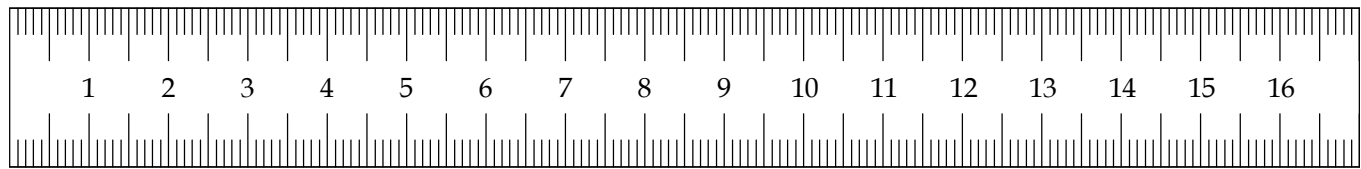
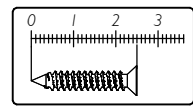
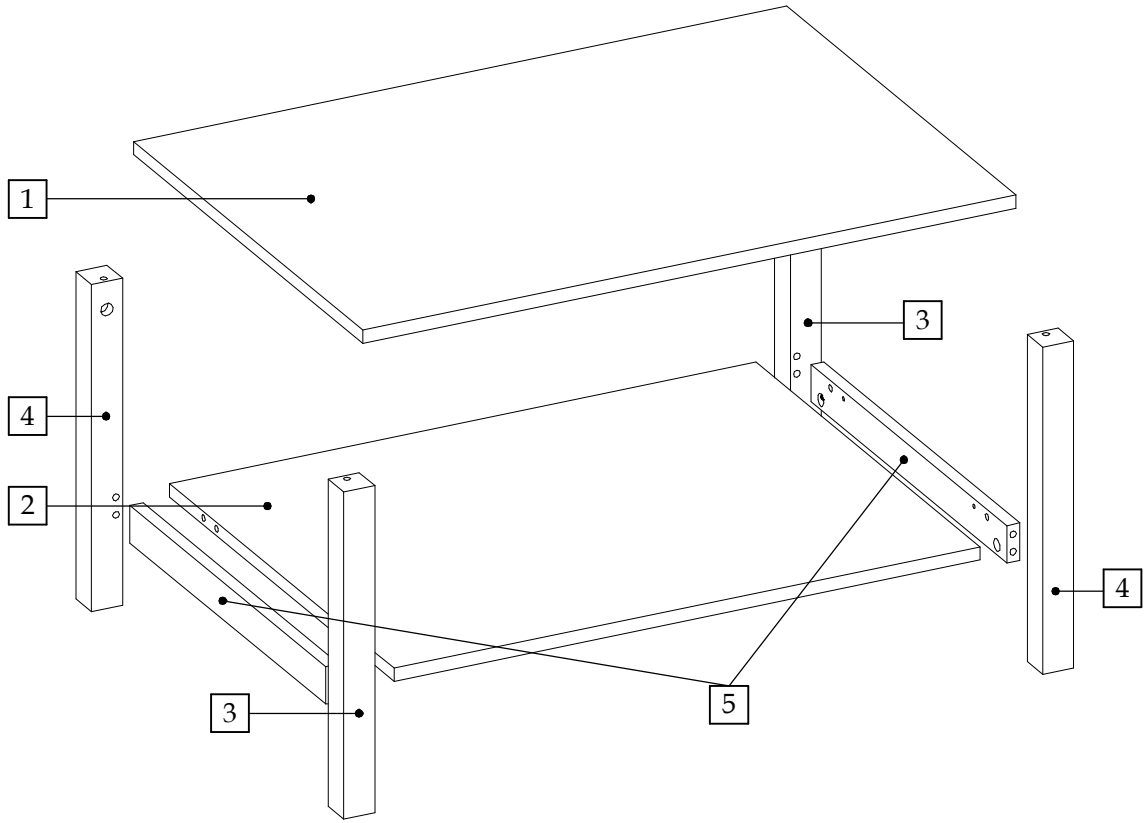
100 min

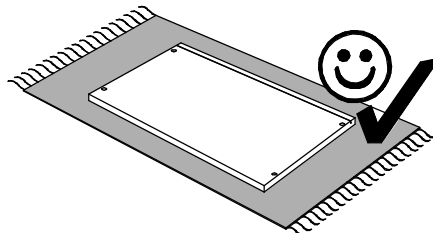
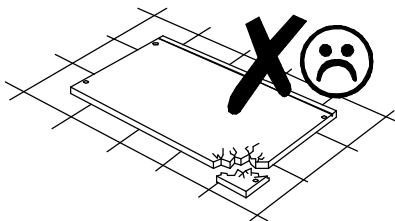
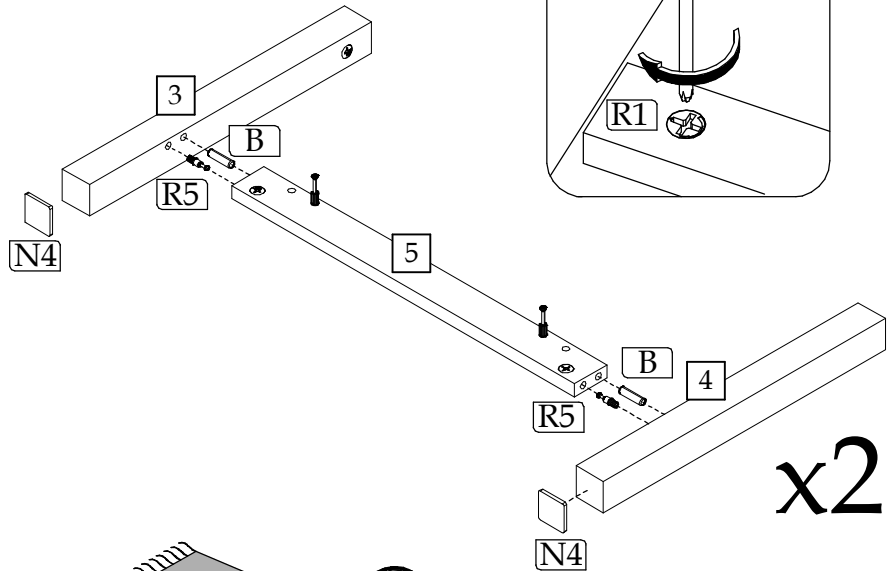
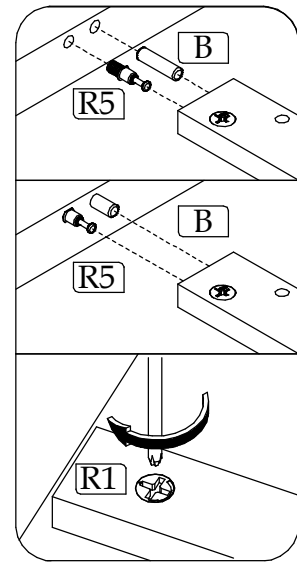
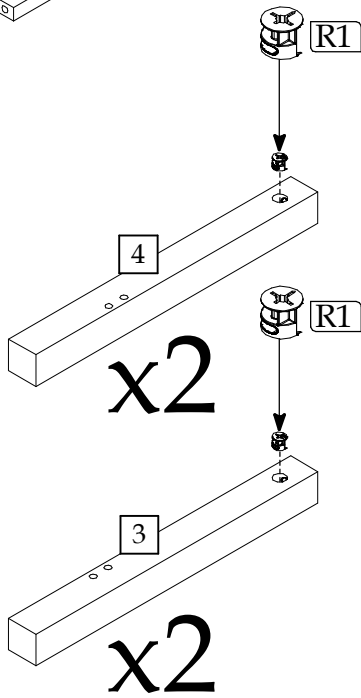
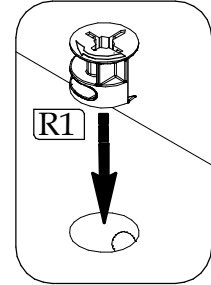
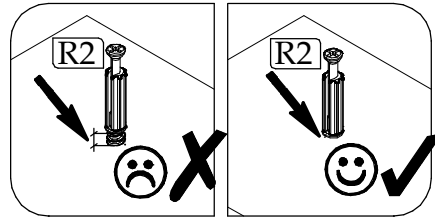
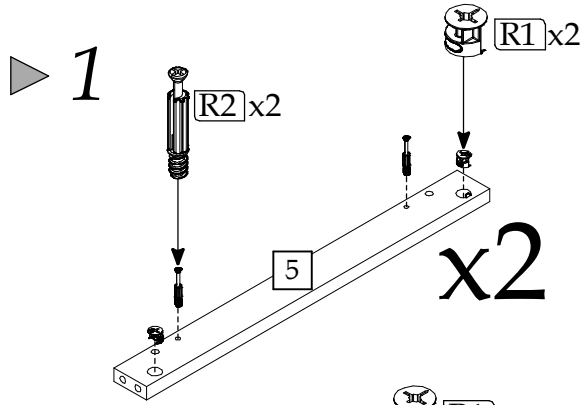
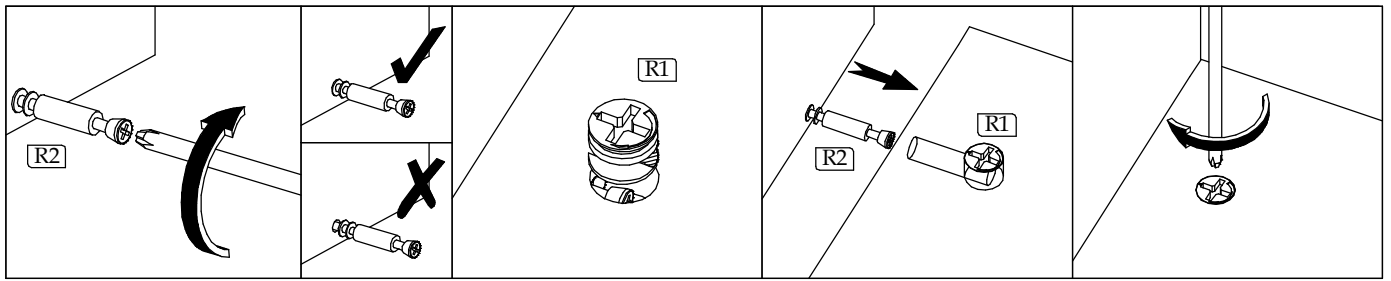




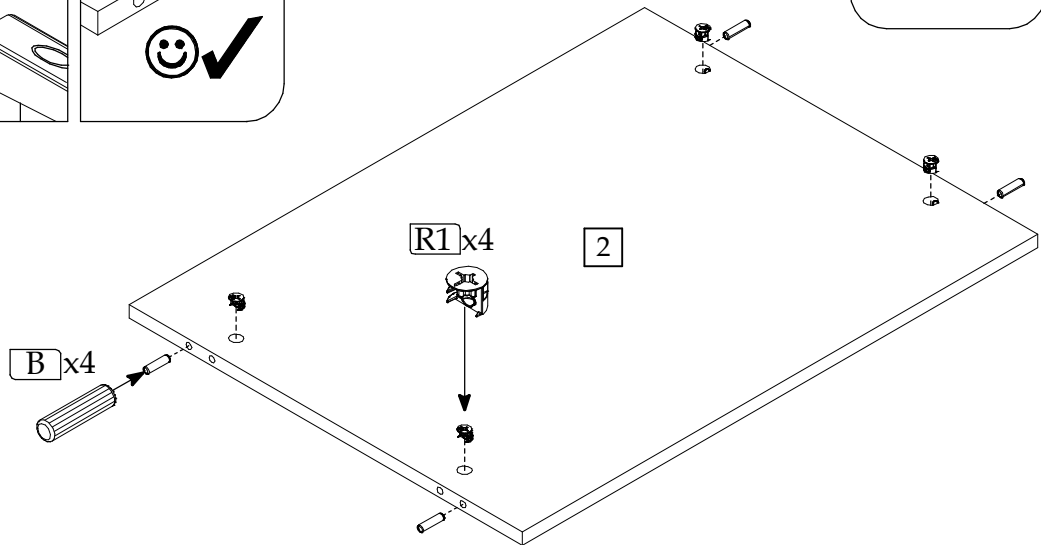
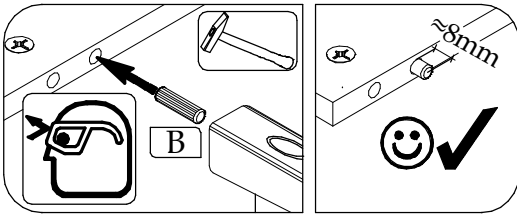
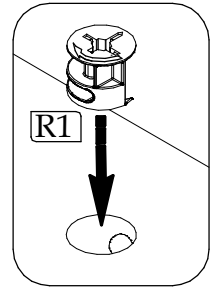
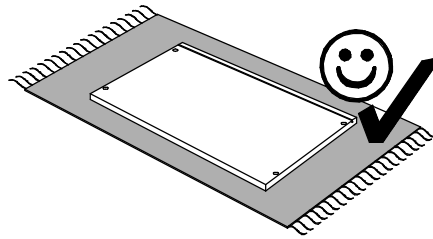
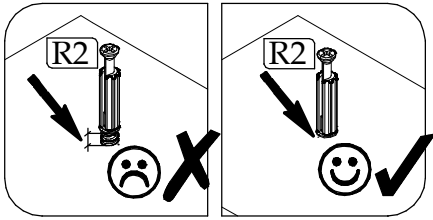
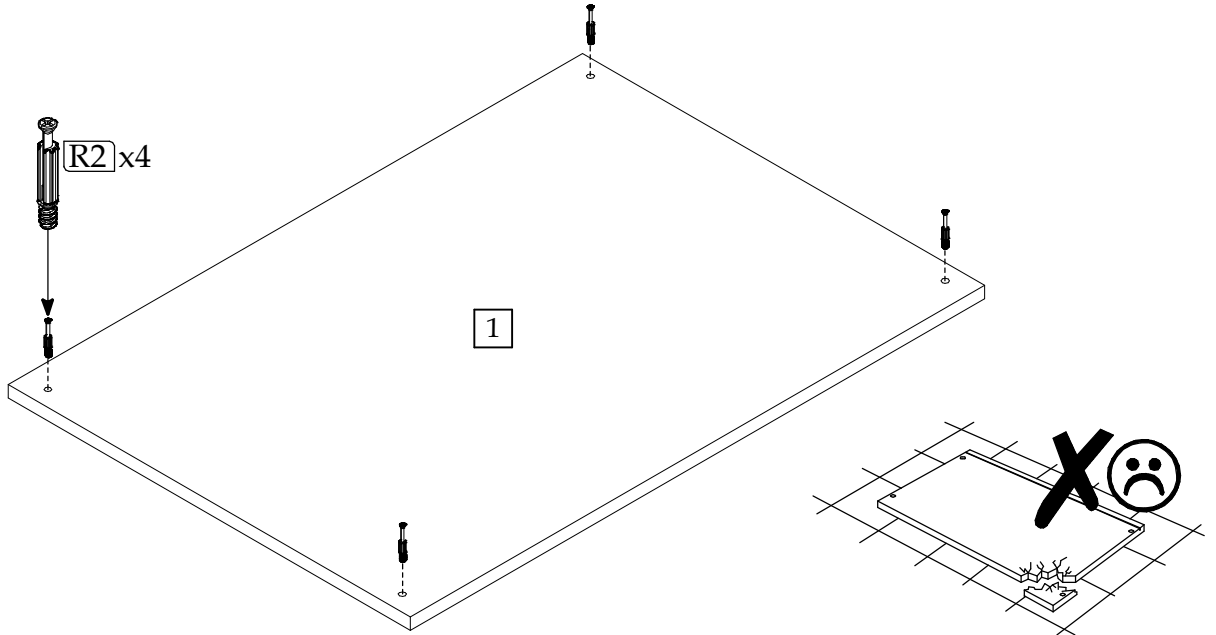


Element symbol	Measurements				Code	Pack
1	800	560	16	1	1001_16mm	1/1
2	718	548	16	1	1005	1/1
3	393	38	38	2	P38_393x38_R1	1/1
4	393	38	38	2	P38_393x38_R2	1/1
5	478	45	16	2	P16_478x45_T2	1/1

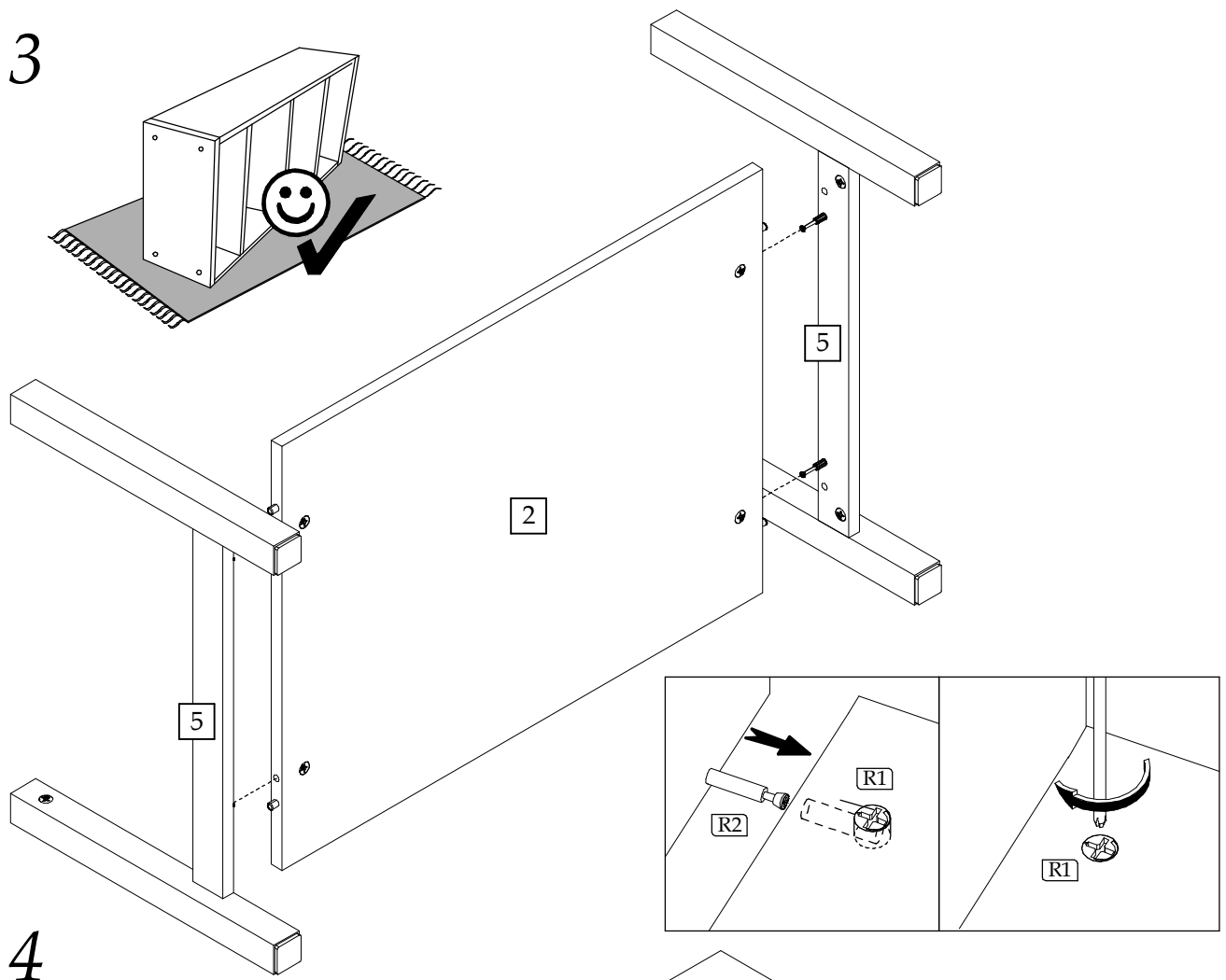




▶ 2



▶ 3



▶ 4

