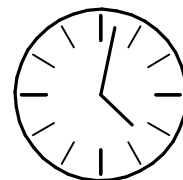
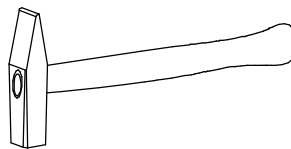
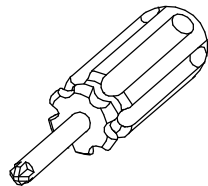
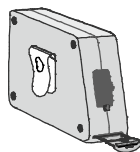
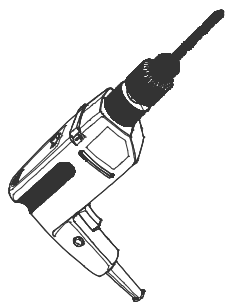
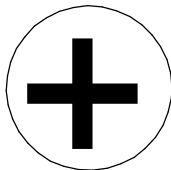
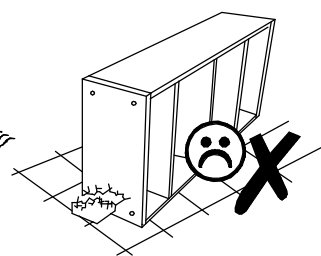
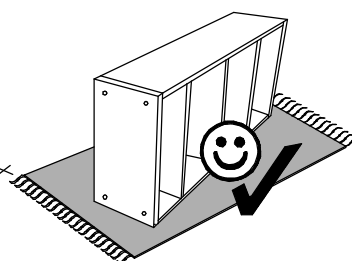
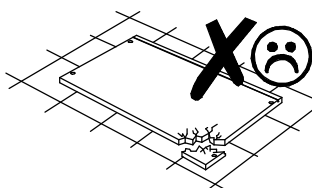
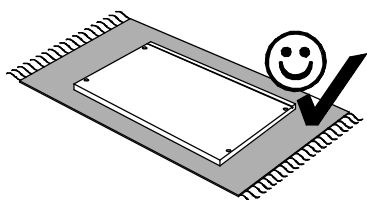
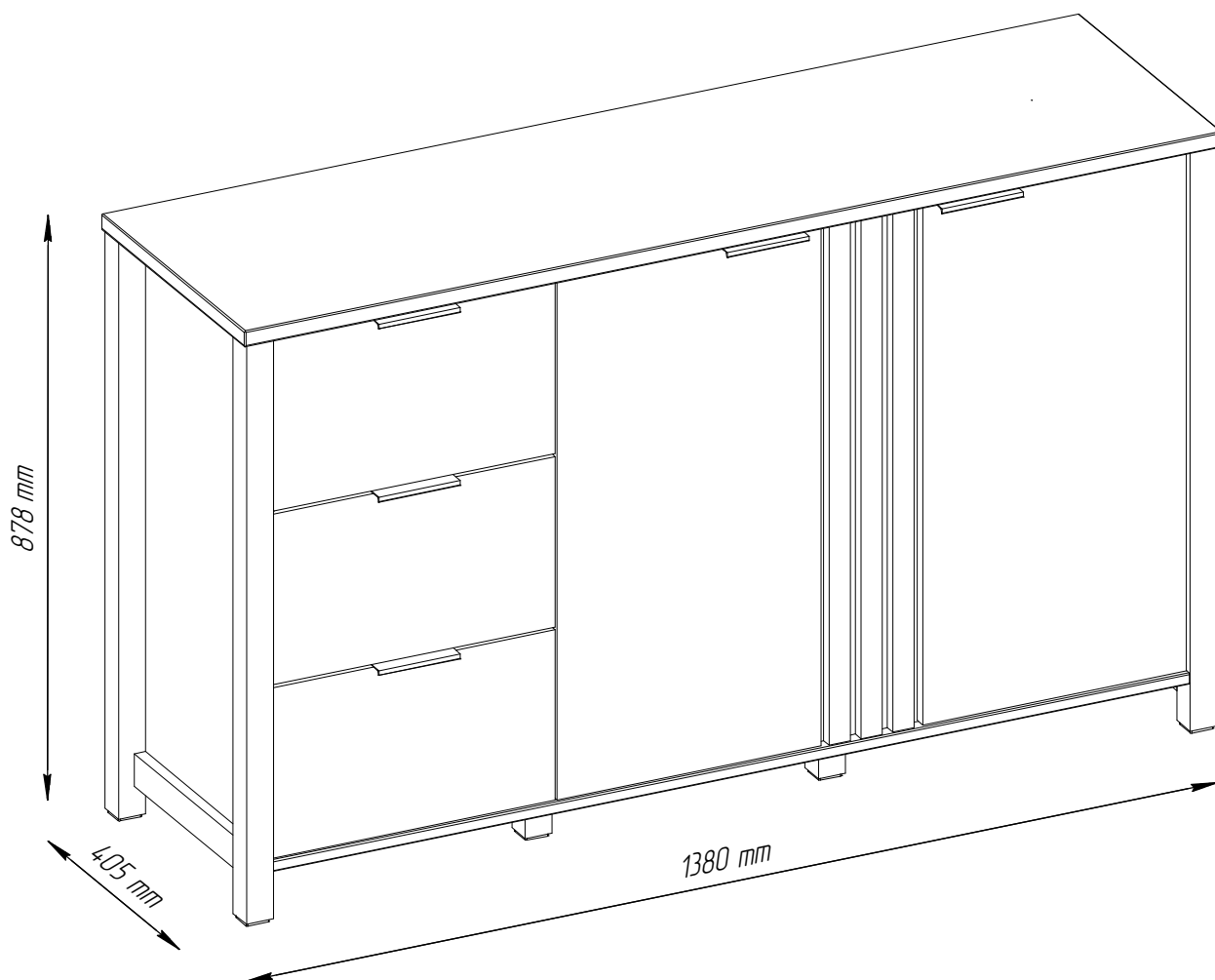
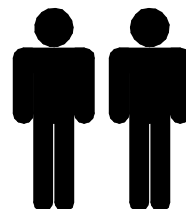
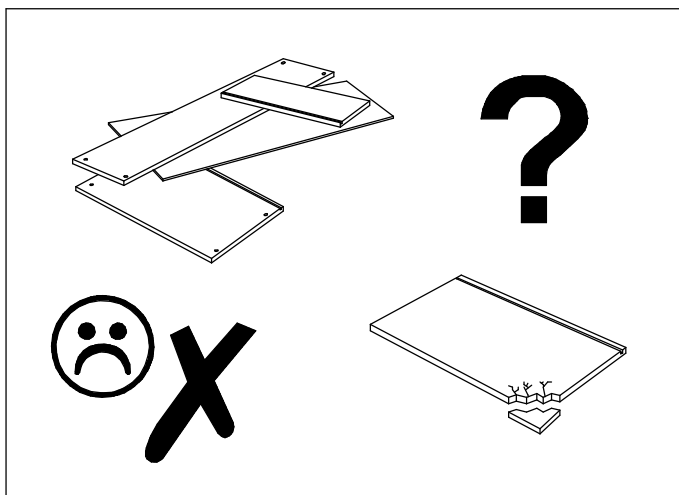
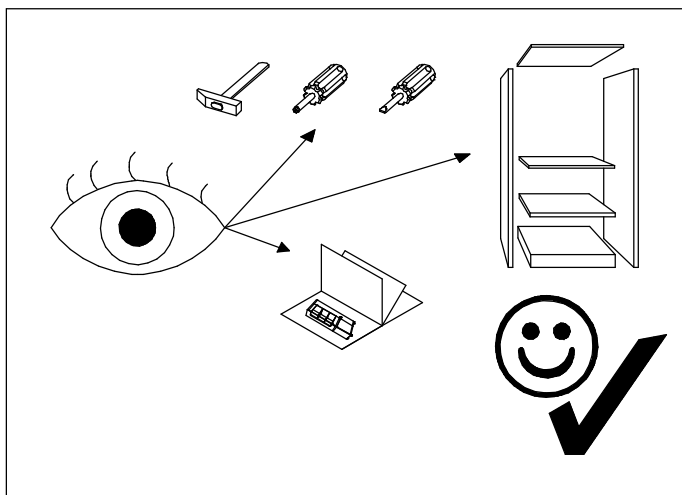
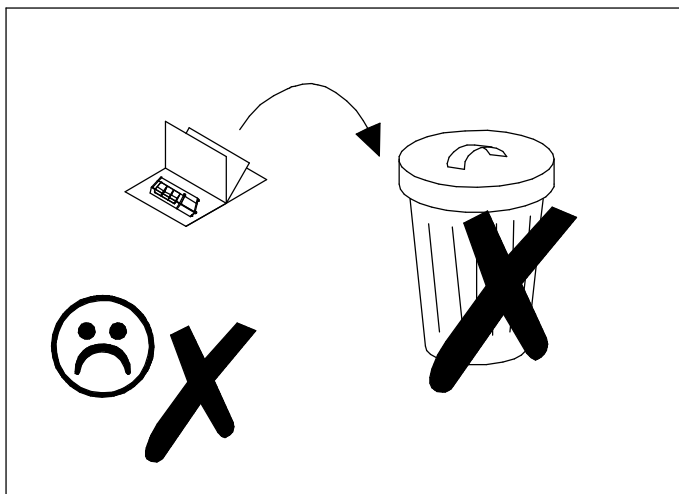
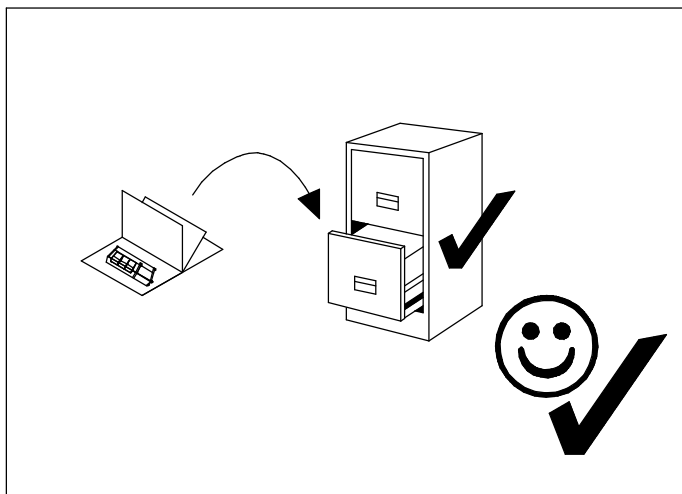
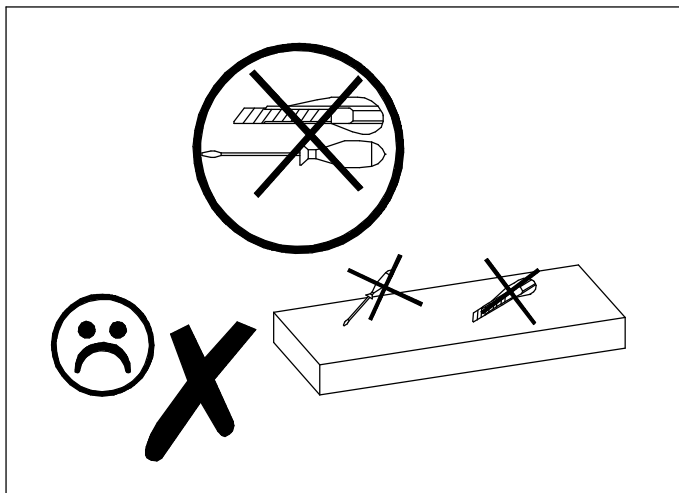
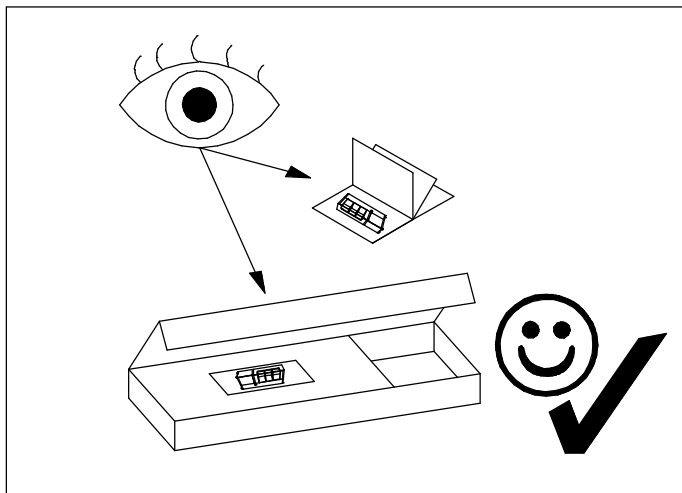


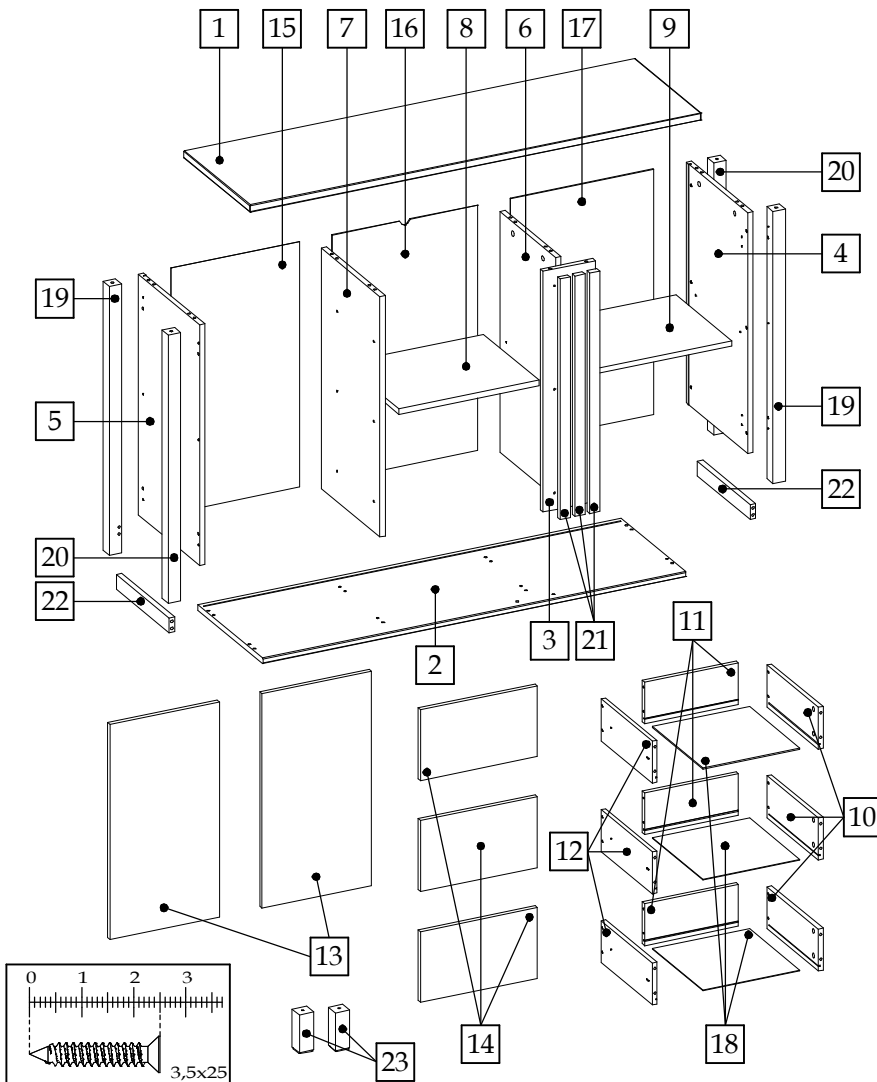
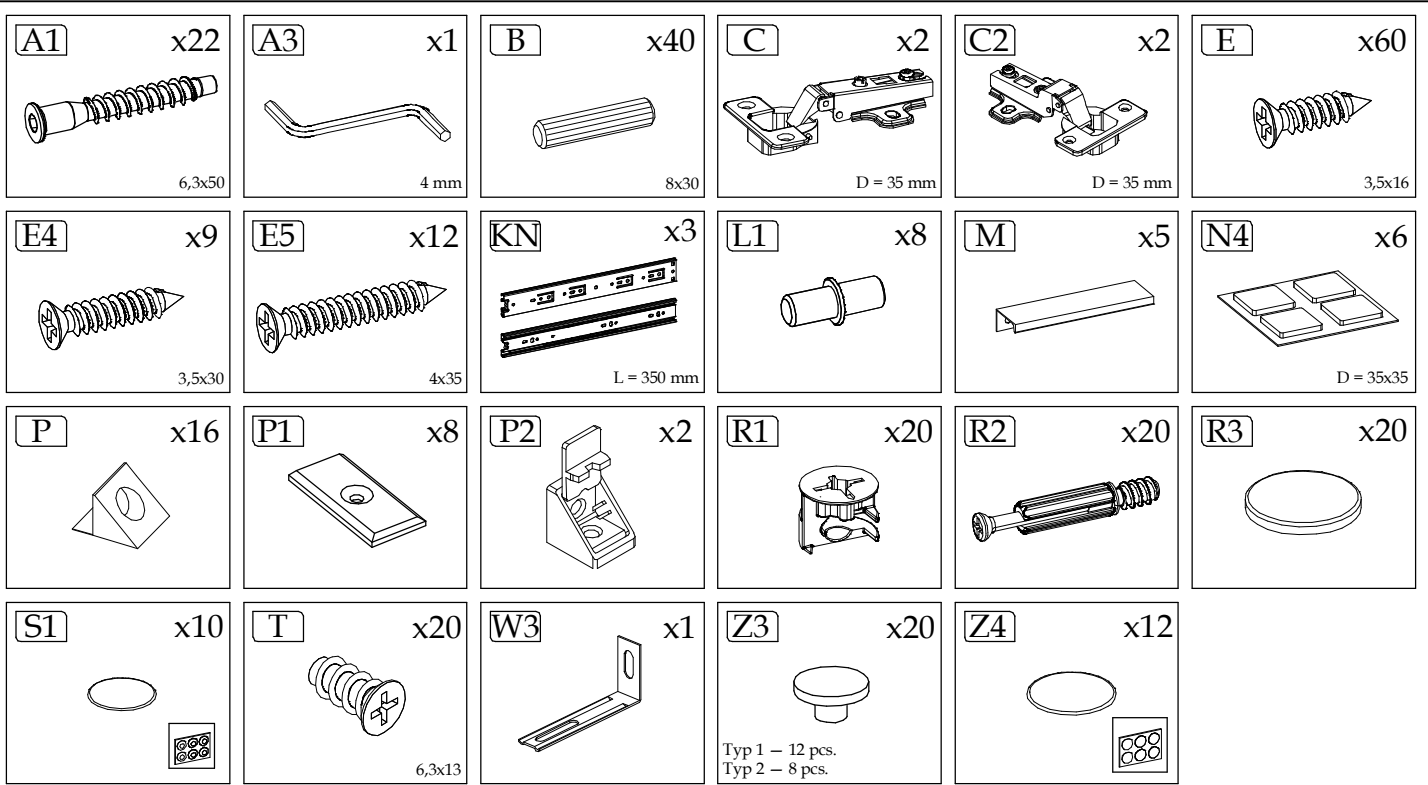
HELIX EVOK K



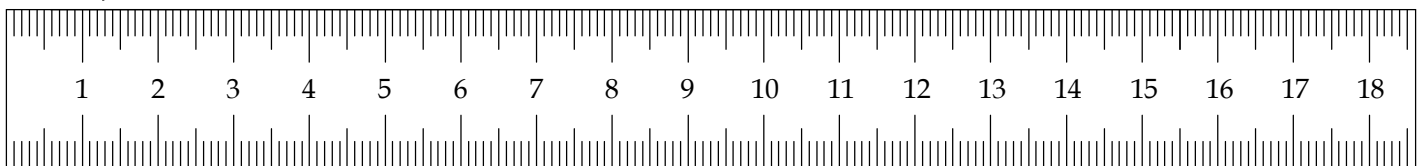
100 min

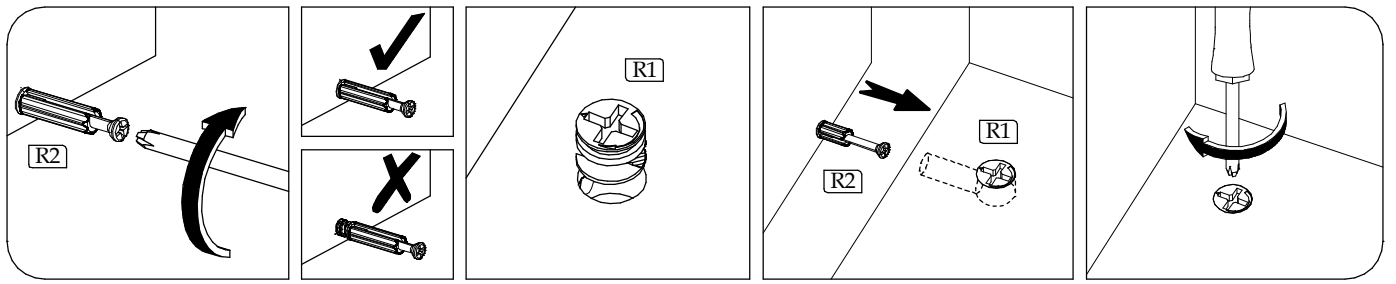




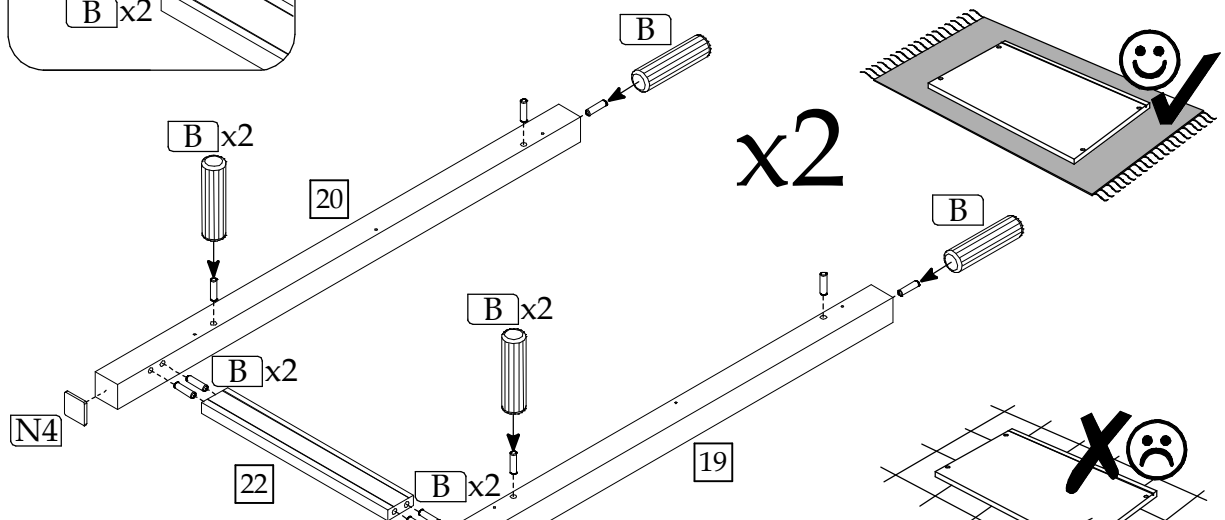
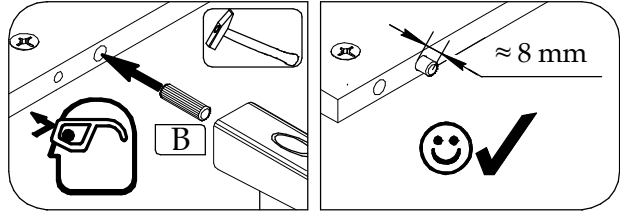
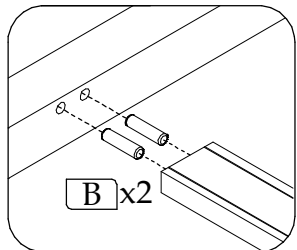


Element	Measurements			Code	Pack
1	1380	405	16	1001_EVOK	1/2
2	1294	398	16	1013_EVOK	1/2
3	160	722	16	1009	2/2
4	722	378	16	1011	2/2
5	722	378	16	1012	2/2
6	722	341	16	1042	1/2
7	722	360	16	1018	1/2
8	430	335	16	N/A	1/2
9	423	335	16	N/A	1/2
10	351	140	16	1027/1032/1037	1/2
11	320	139	16	1028/1033/1038	1/2
12	351	140	16	1029/1034/1039	1/2
13	716	372	16	1024/1025	2/2
14	397	236	16	1026/1031/1036	1/2
15	736	392	3	N/A	2/2
16	736	445	3	1050_v	2/2
17	736	438	3	N/A	2/2
18	330	344	3	N/A	2/2
19	858	38	38	EVOK_858x38_T1	2/2
20	858	38	38	EVOK_858x38_T2	2/2
21	722	30	16	P16_722x30x16	2/2
22	324	45	16	P16_324x45x16	1/2
23	120	38	38	EVOK_120x38x38	1/2

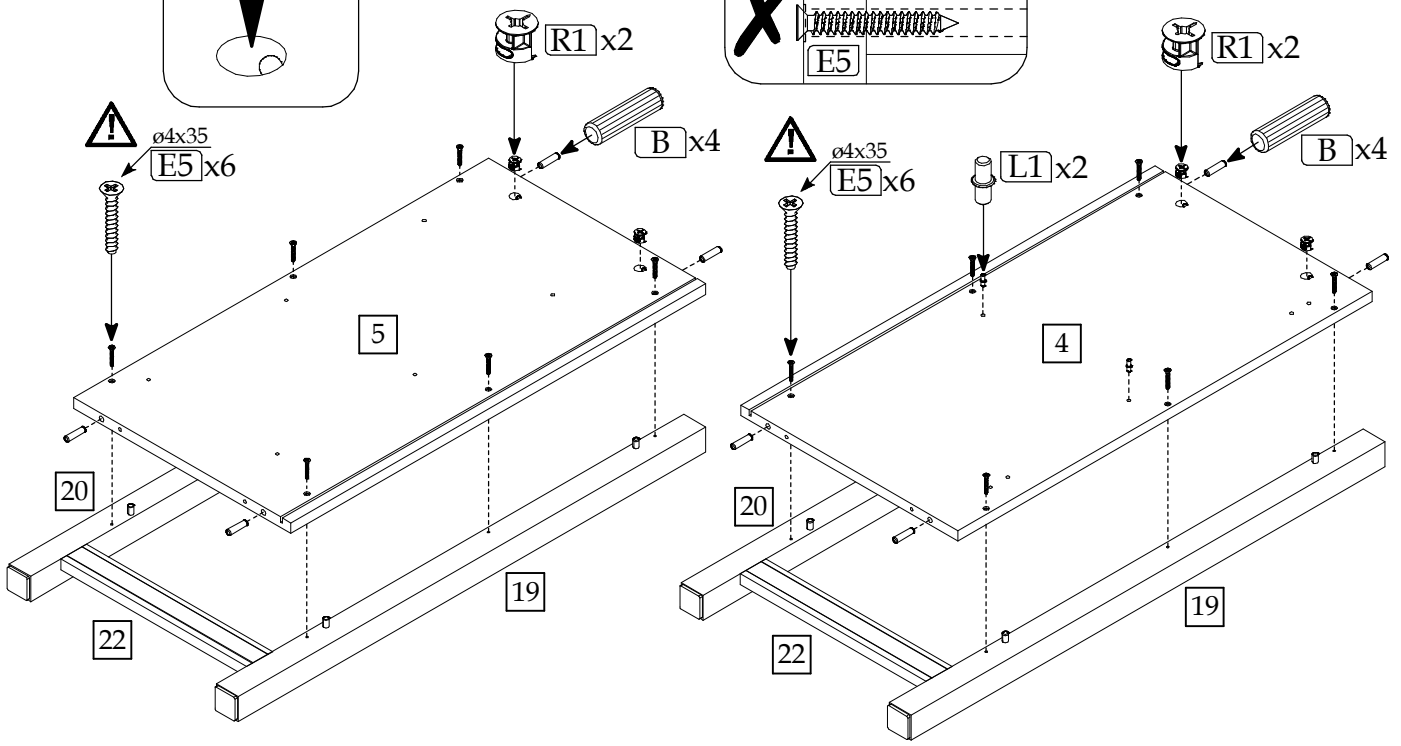
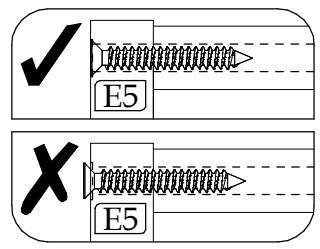
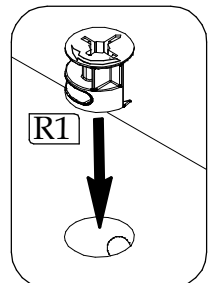




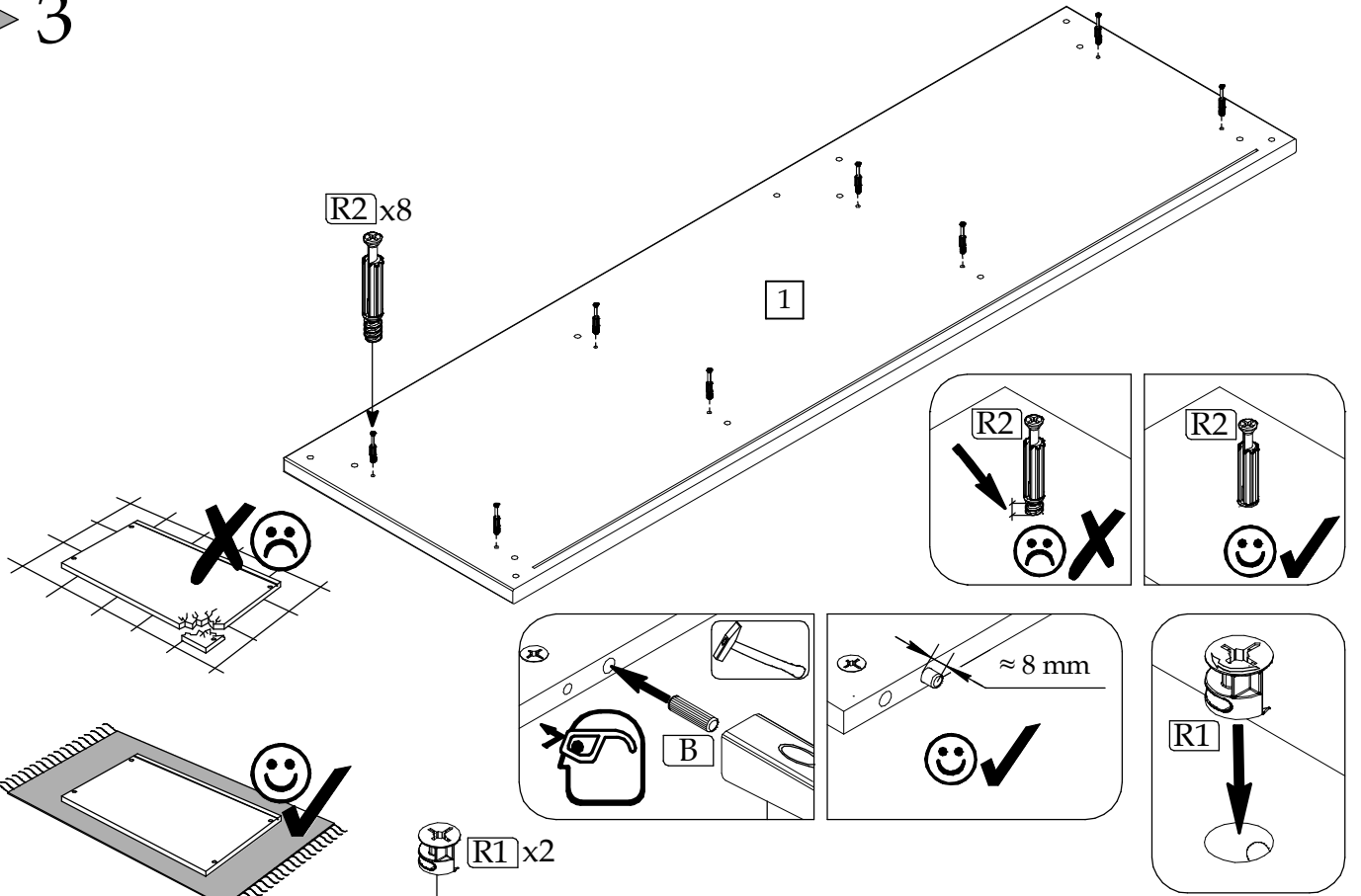
▶ 1



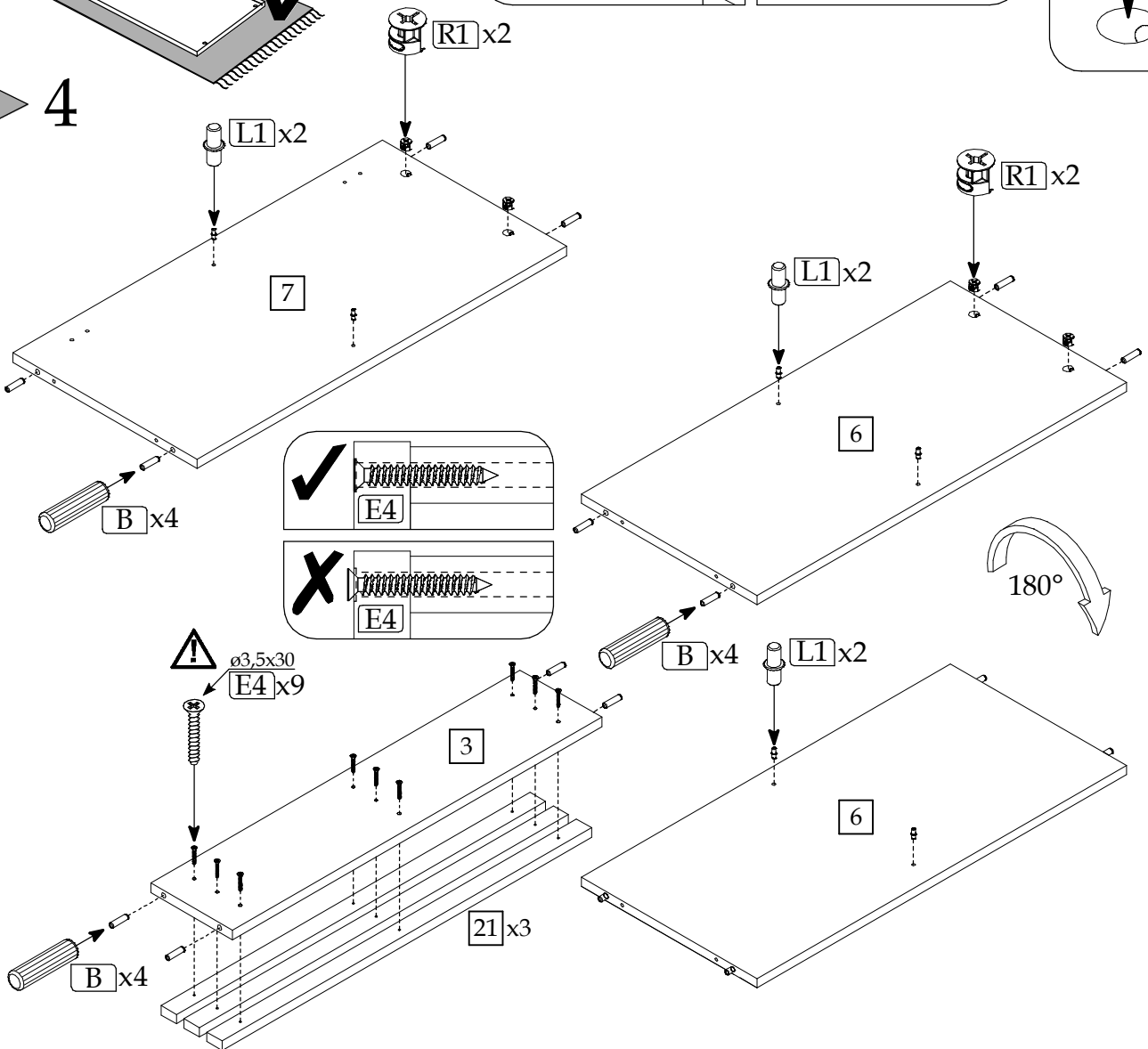
▶ 2

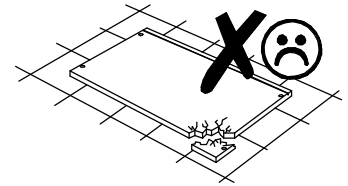
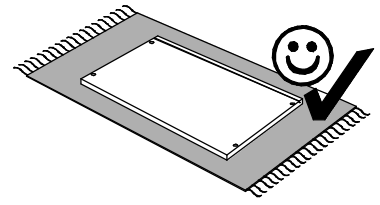
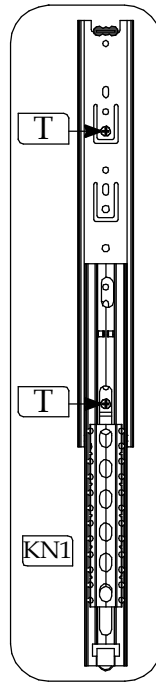
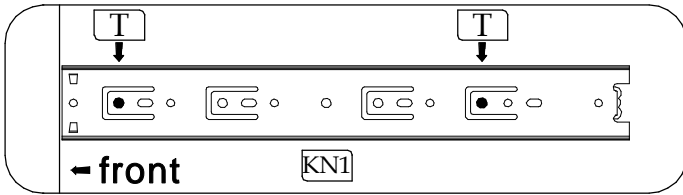
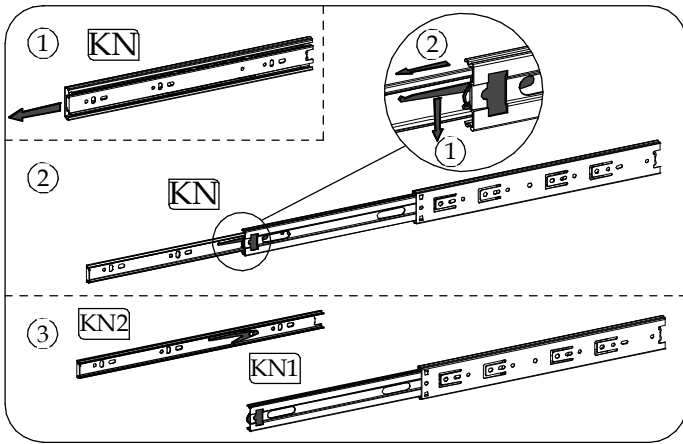


▶ 3

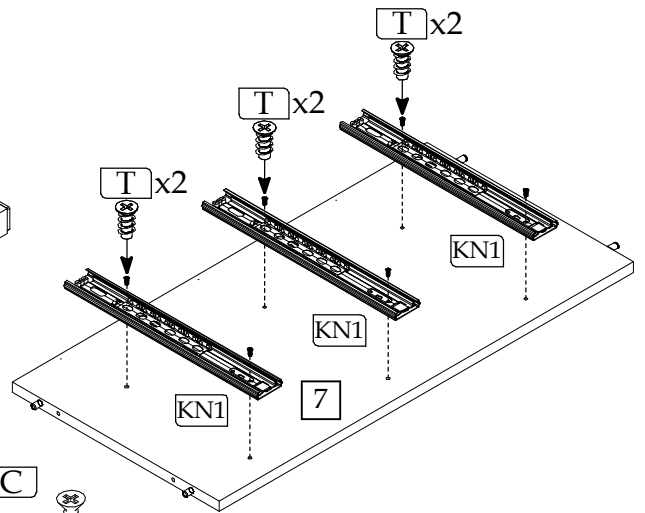
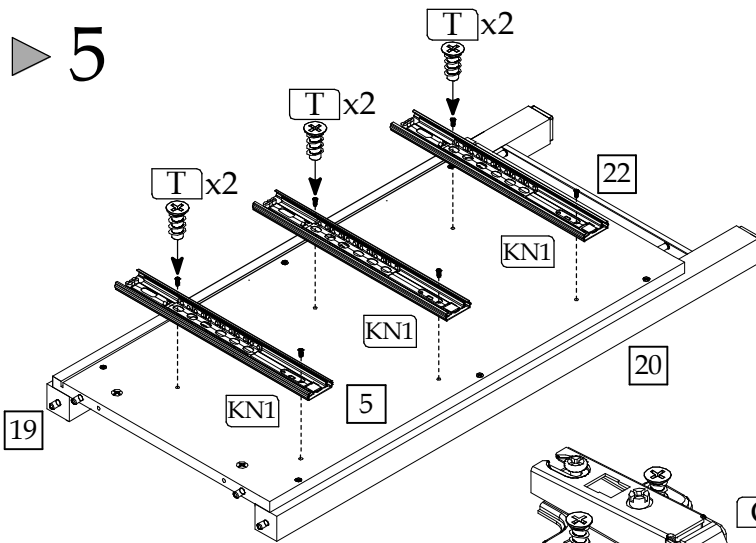


▶ 4

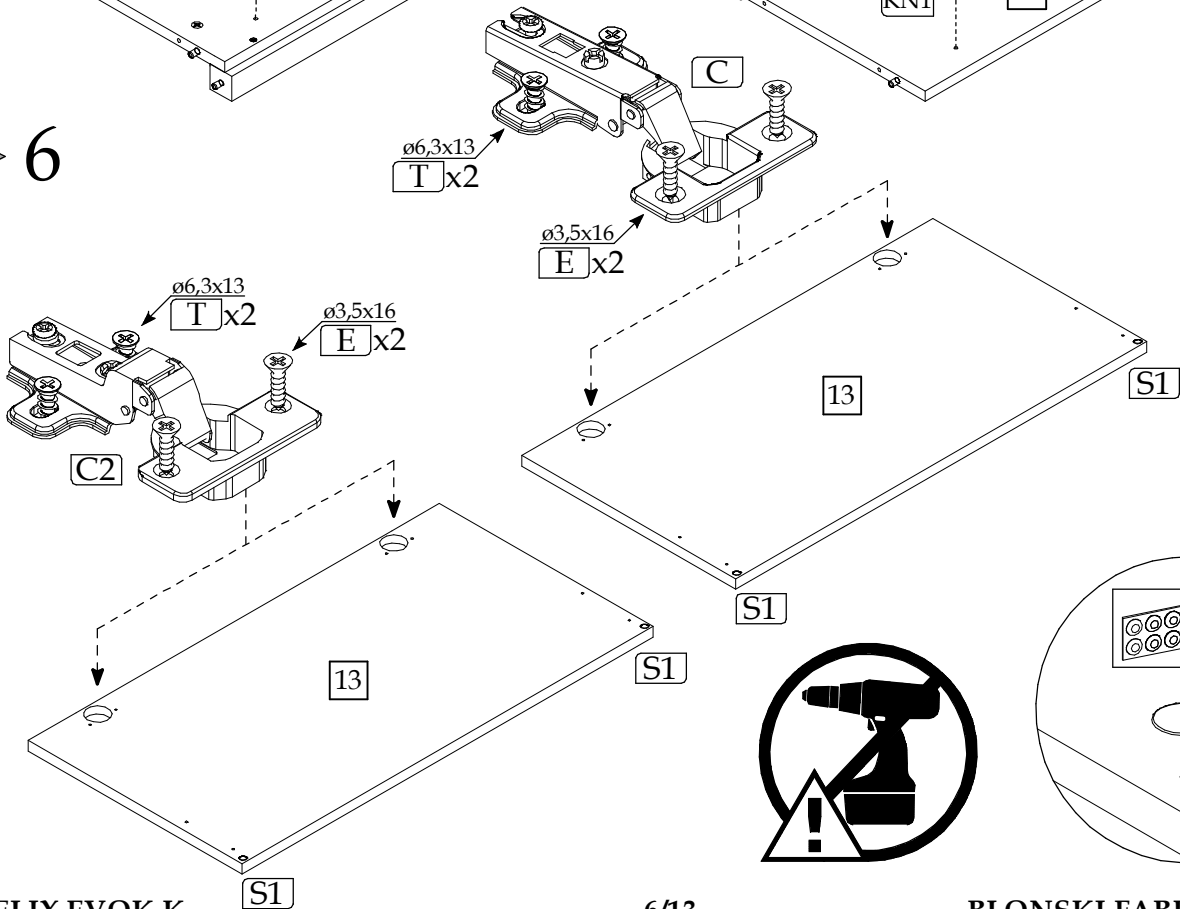




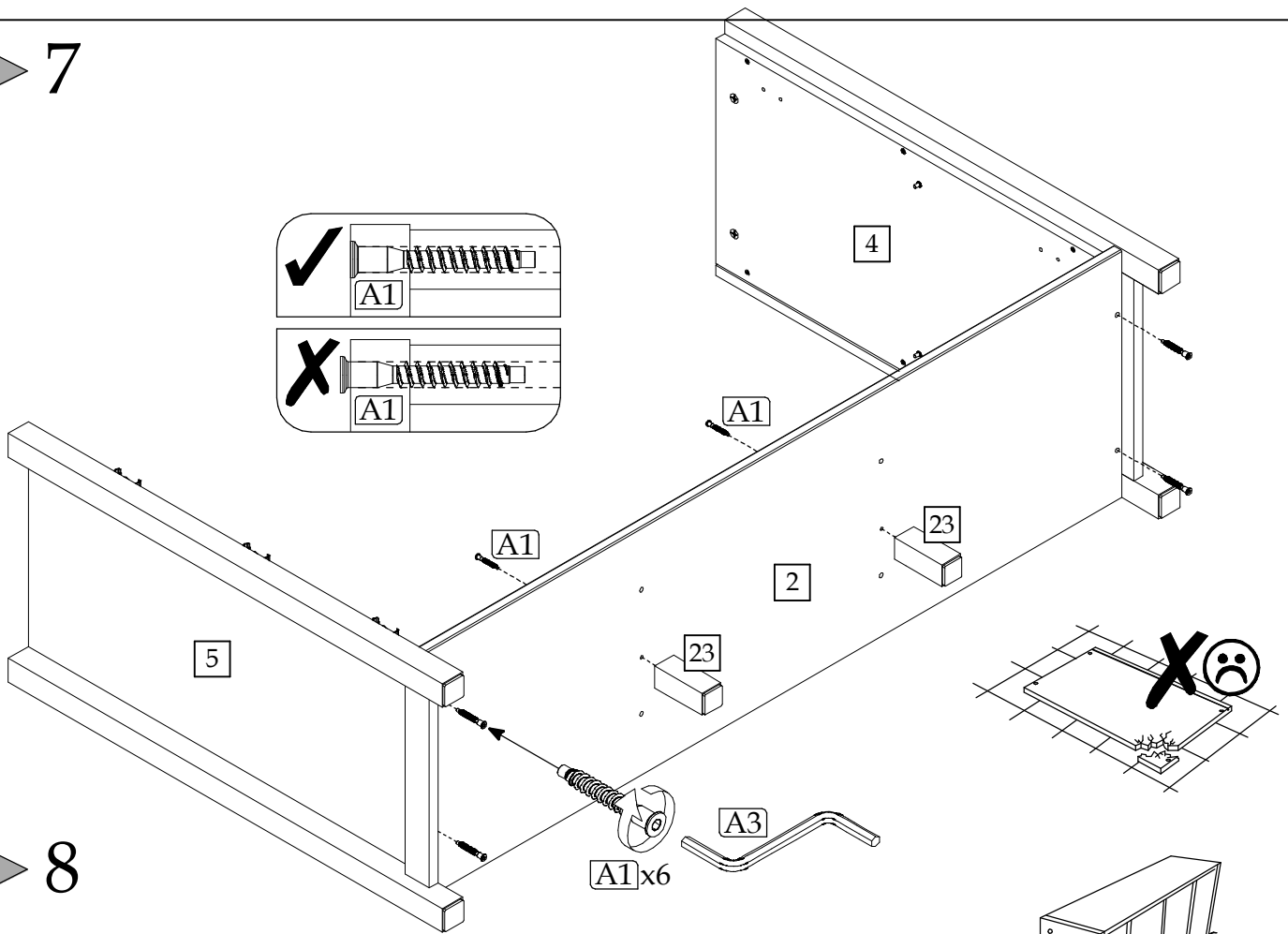
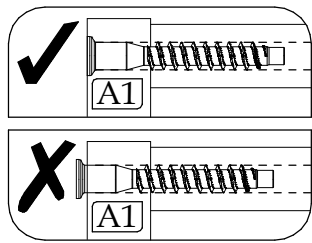
▶ 5



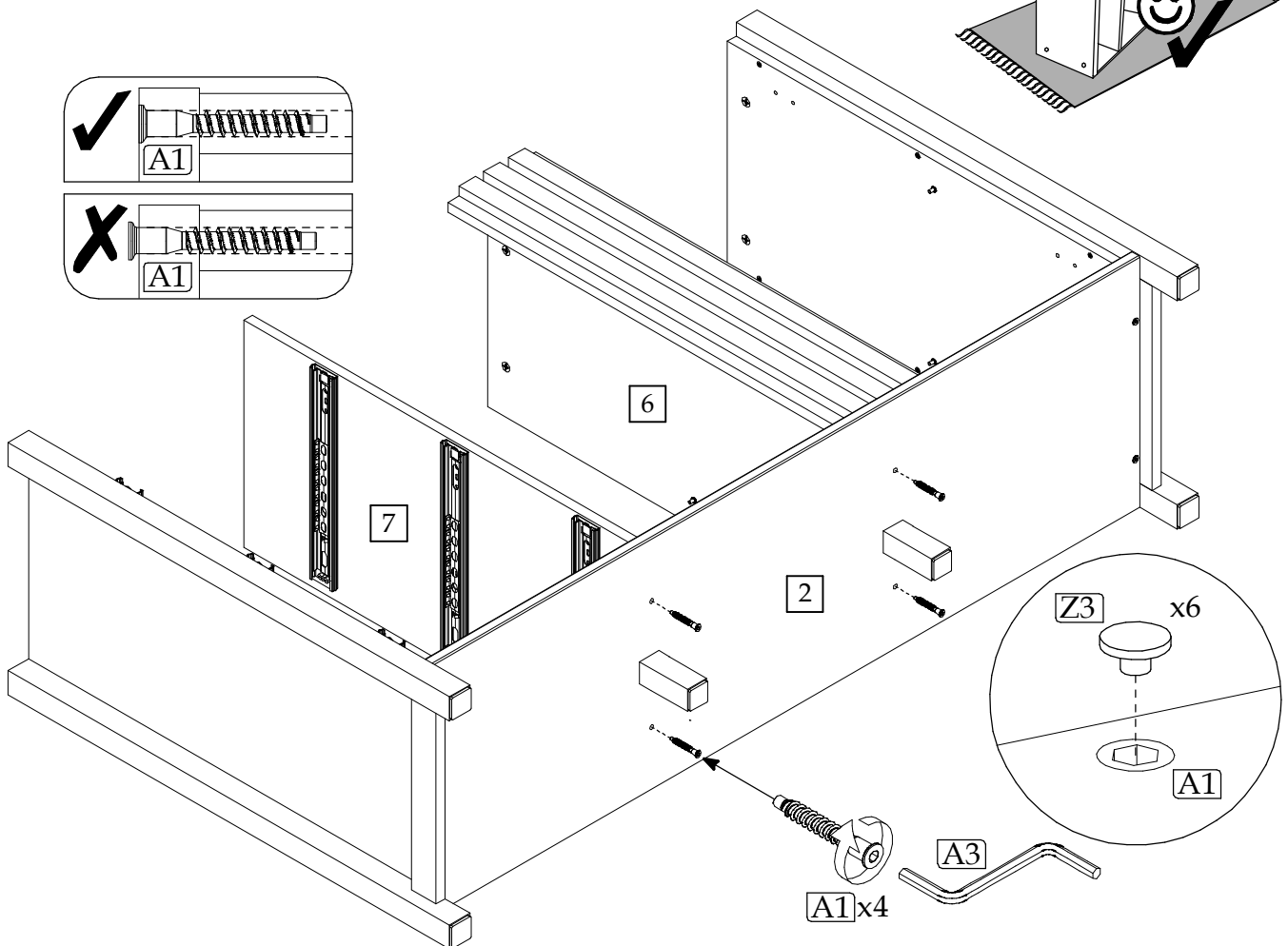
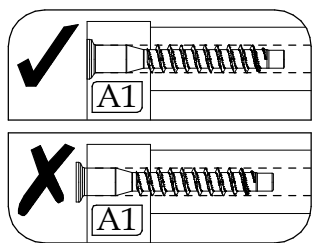
▶ 6



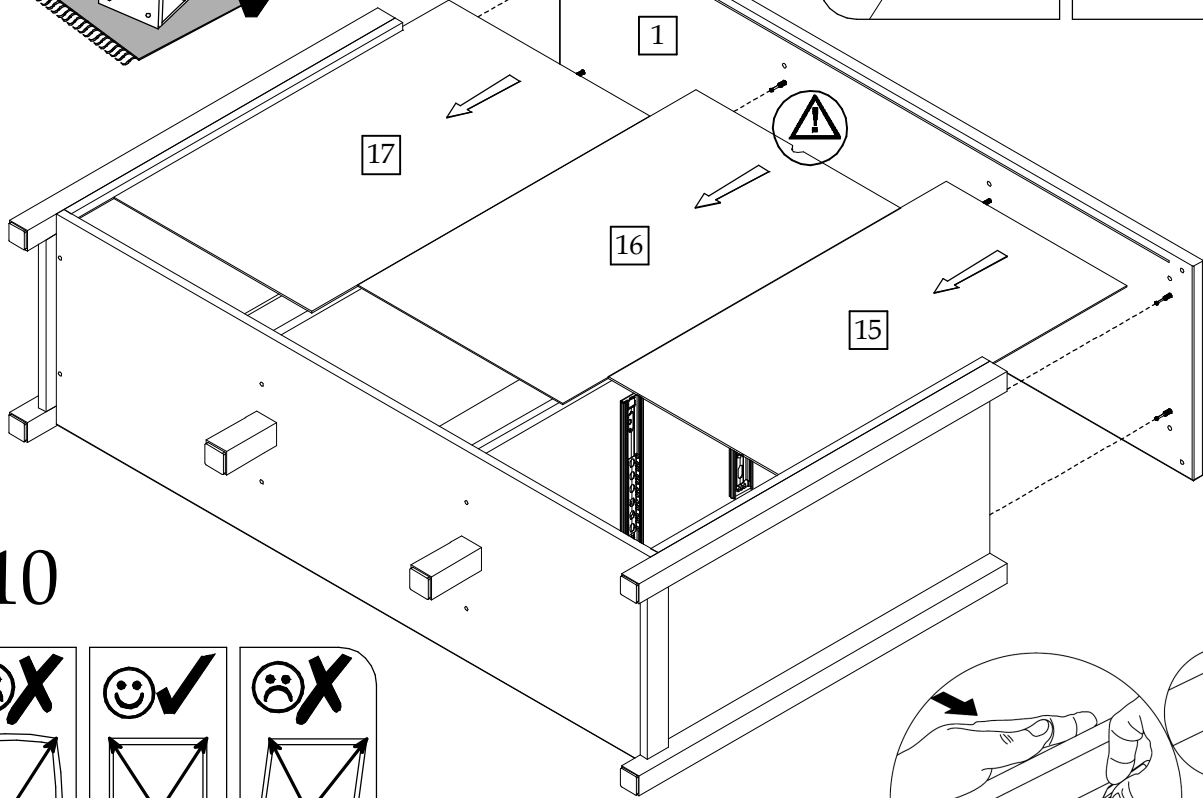
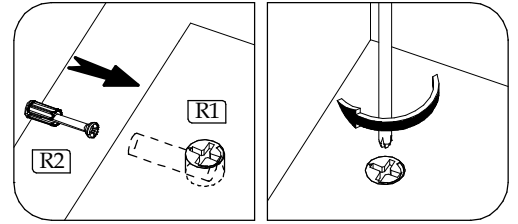
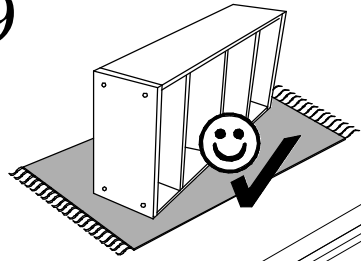
▶ 7



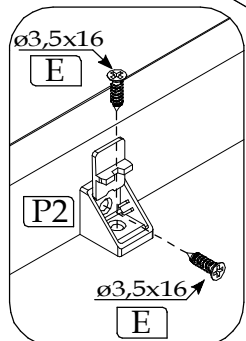
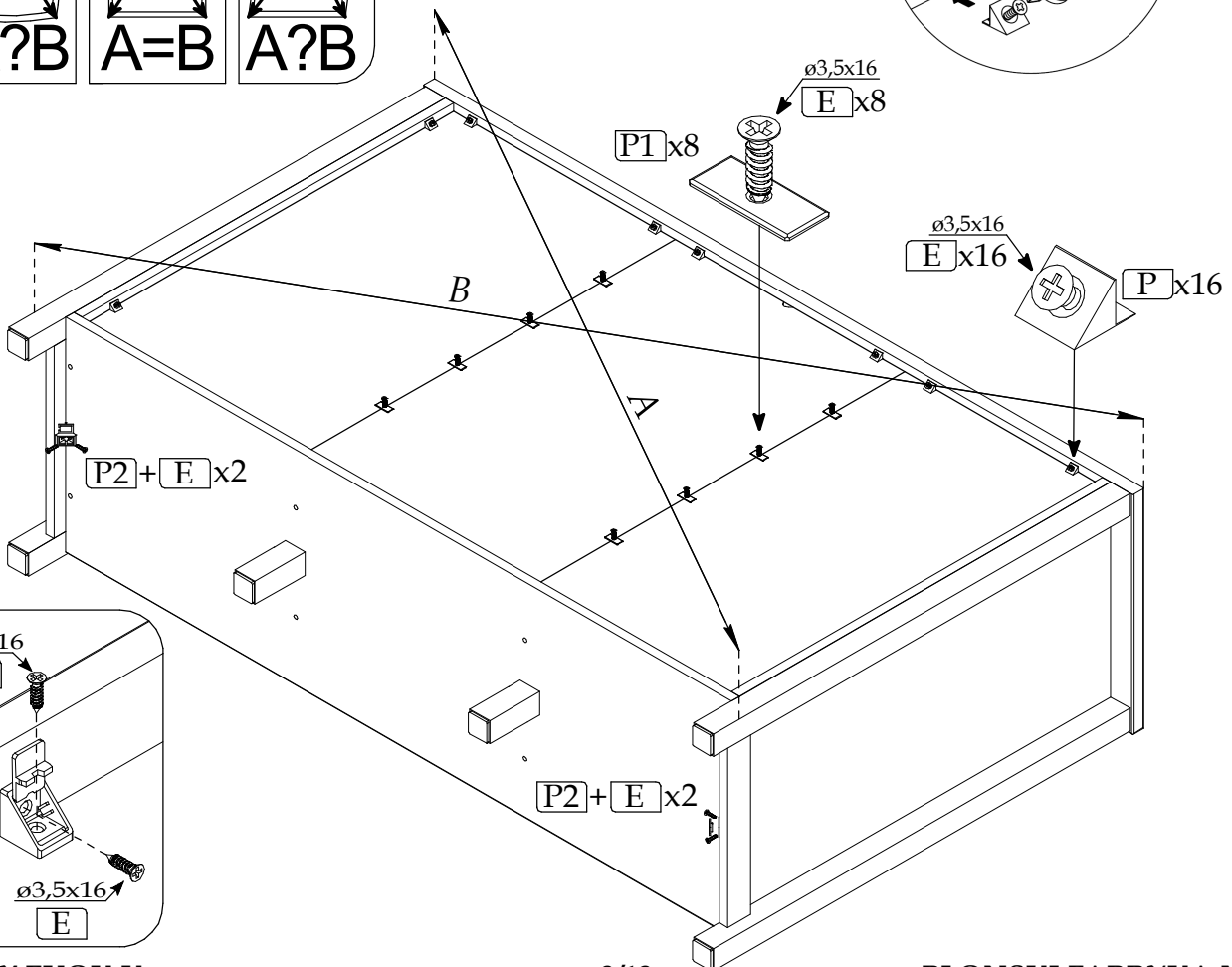
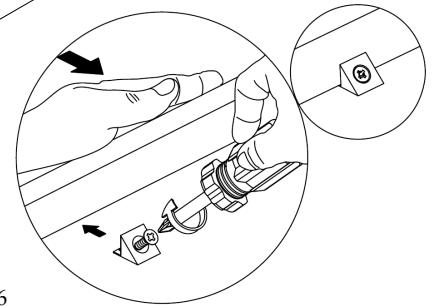
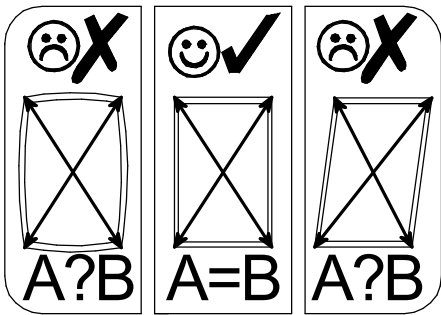
▶ 8



9

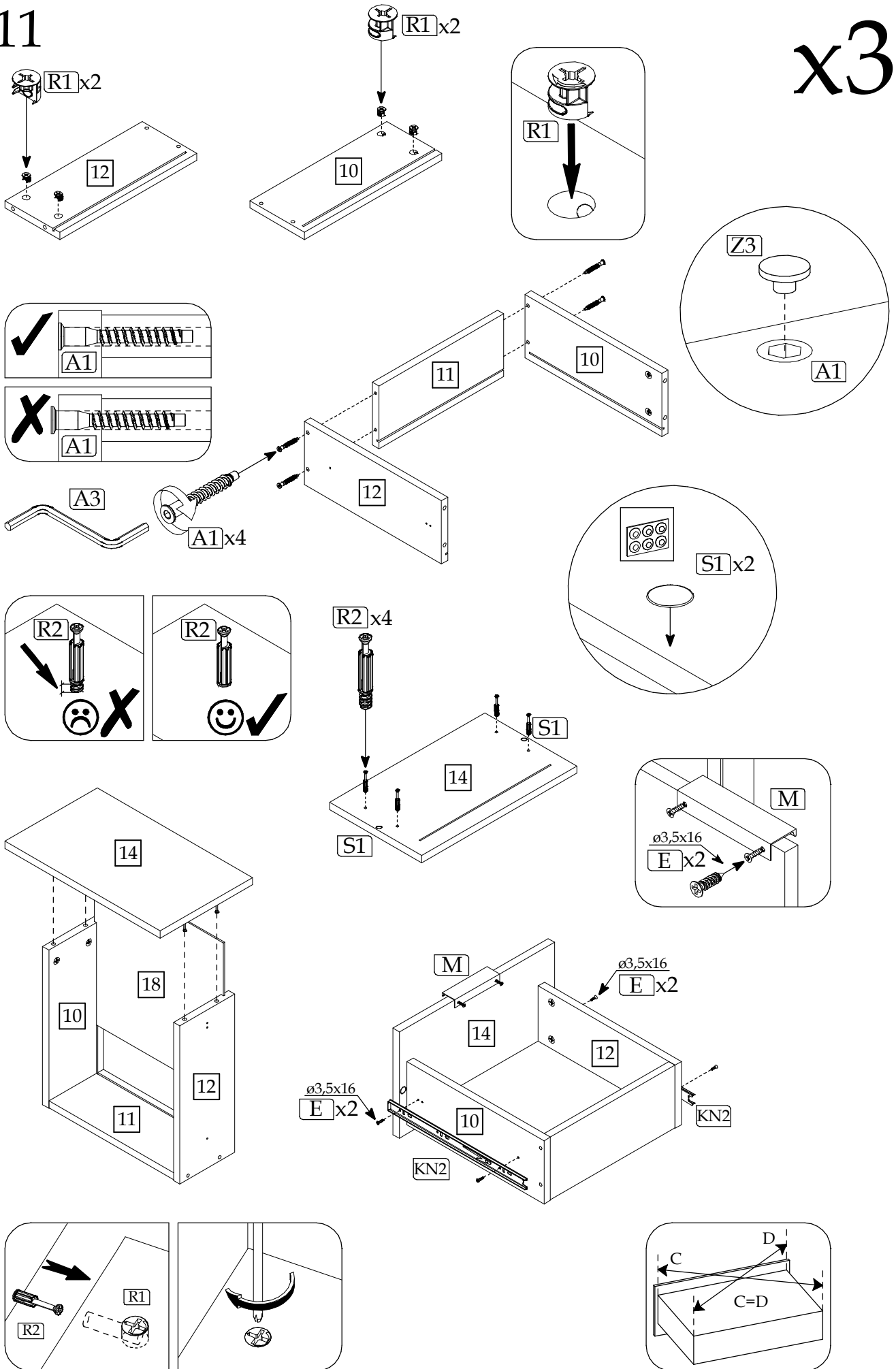


10

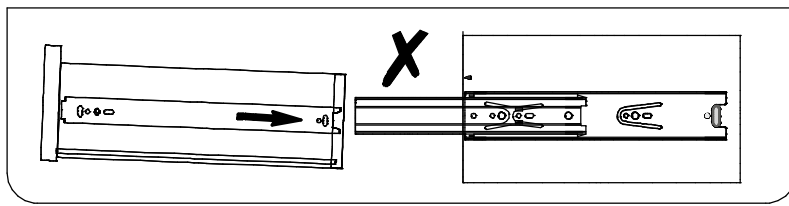
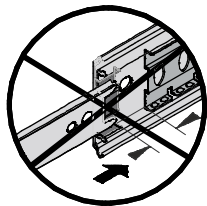
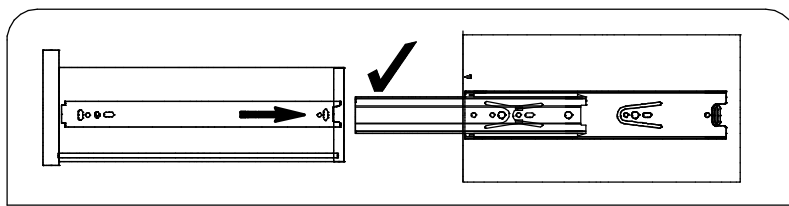
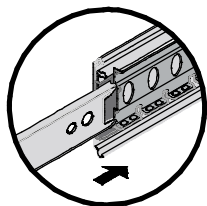
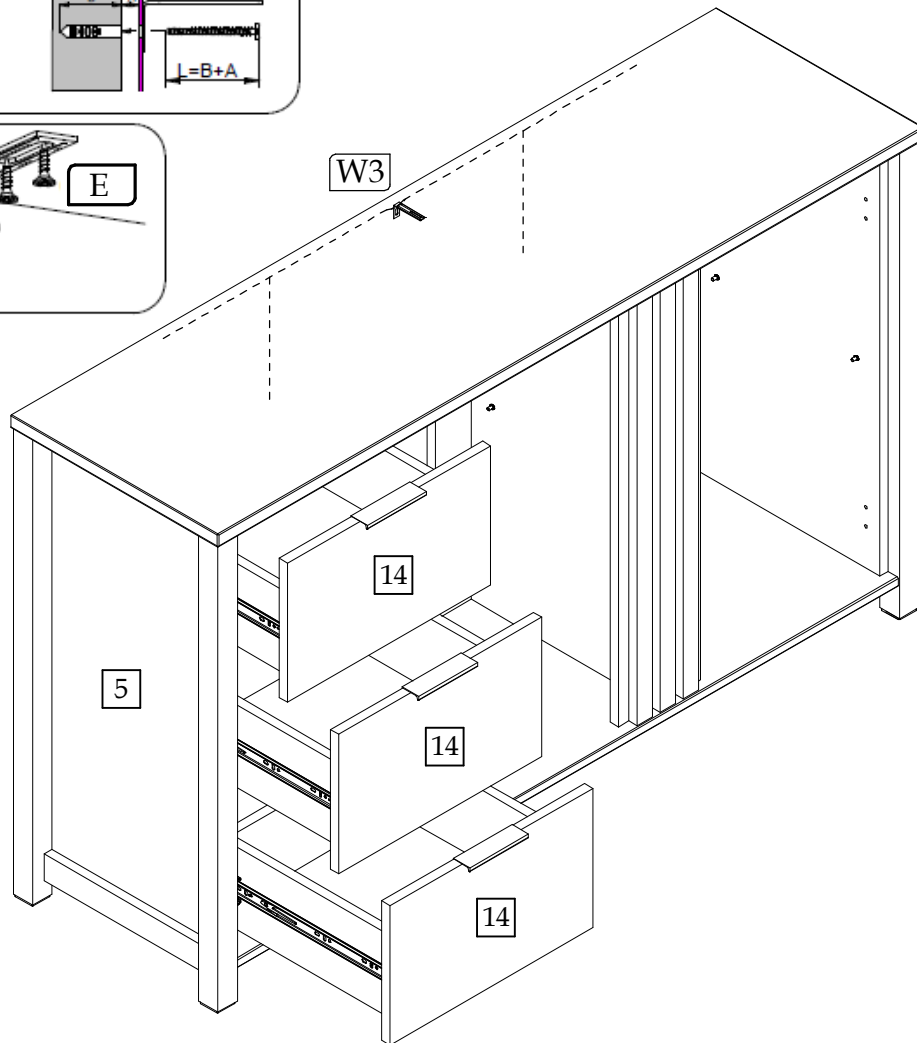
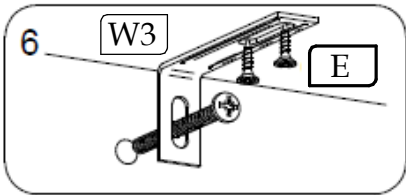
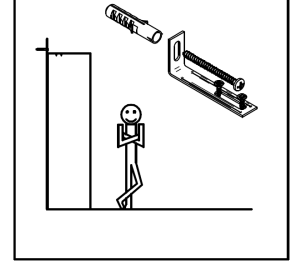
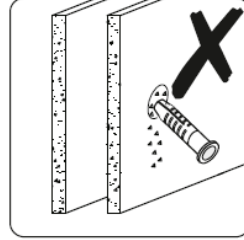
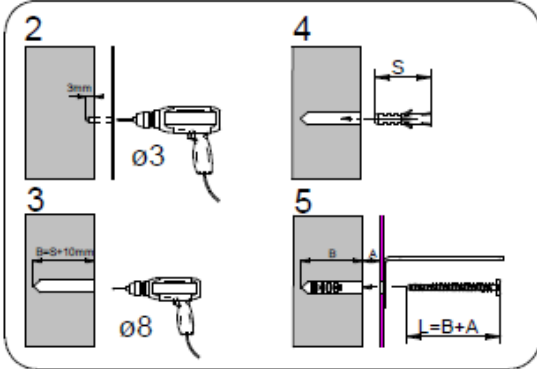
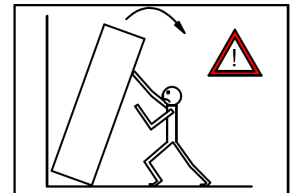
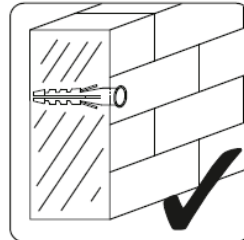
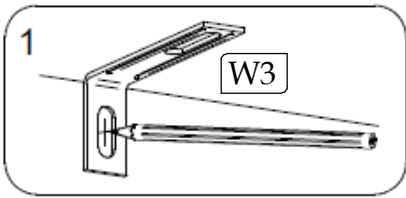


▶ 11

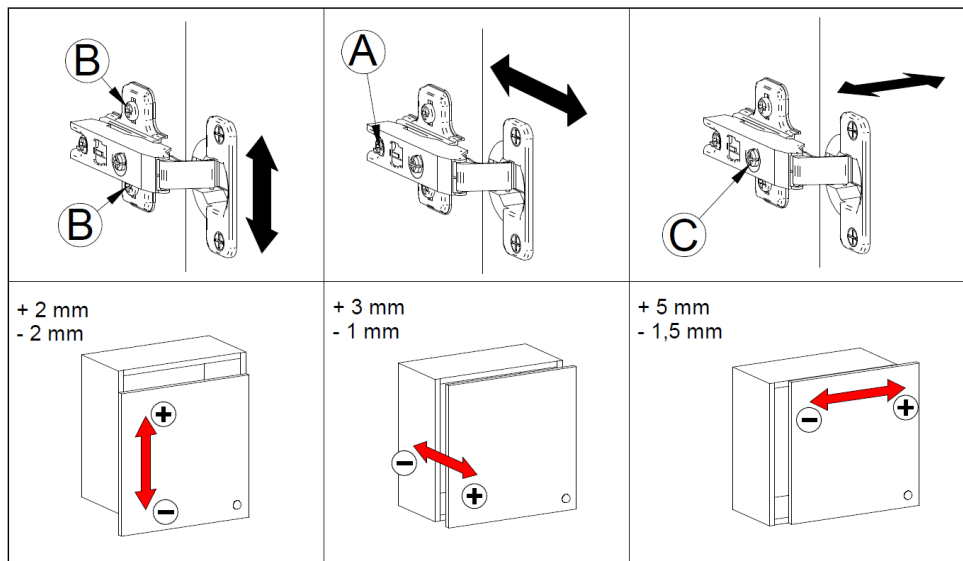
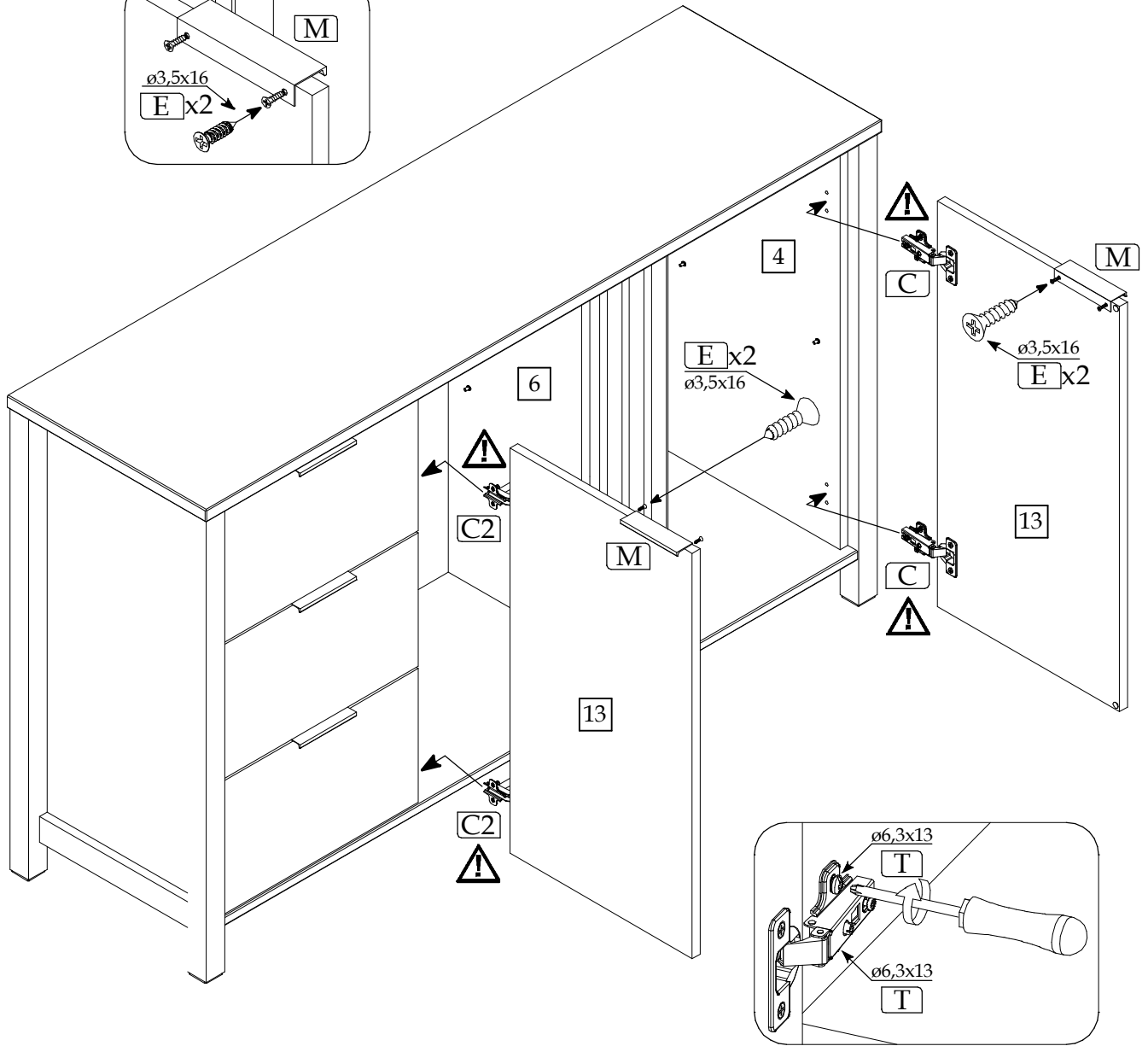
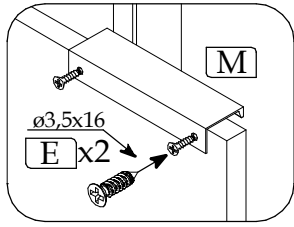
x3



▶ 12



▶ 13



▶ 14

