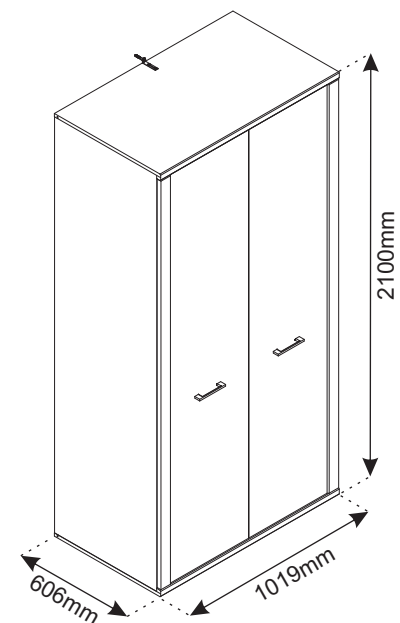
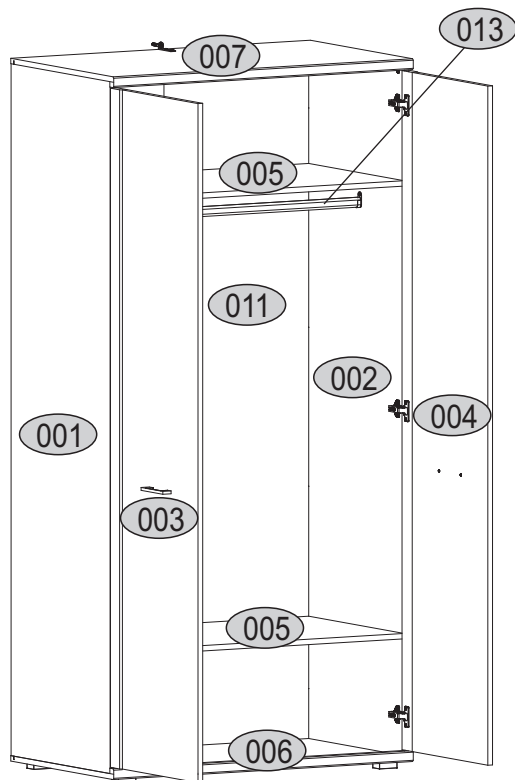
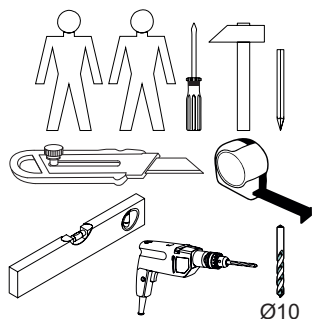
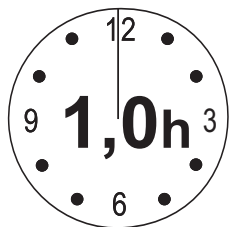


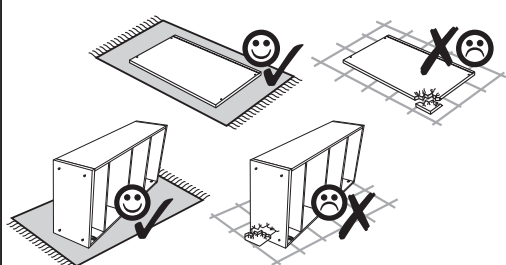
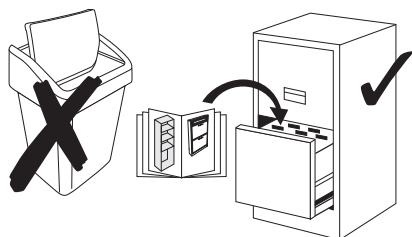


# Installation manual












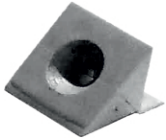


## CORDAN Szafa 2D

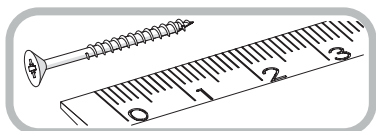


Code	Dimensions			Package	
001	2048	583	16	1	2/3
002	2048	583	16	1	2/3
003	2010	505	16/22	1	3/3
004	2010	505	16/22	1	3/3
005	984	561	16	2	1/3
006	1018	606	16/32	1	1/3
007	1018	606	16/32	1	1/3
011	2066	501	2,5	2	2/3
013	979	30	16	1	1/3
<b>Accessories</b>				1	1/3

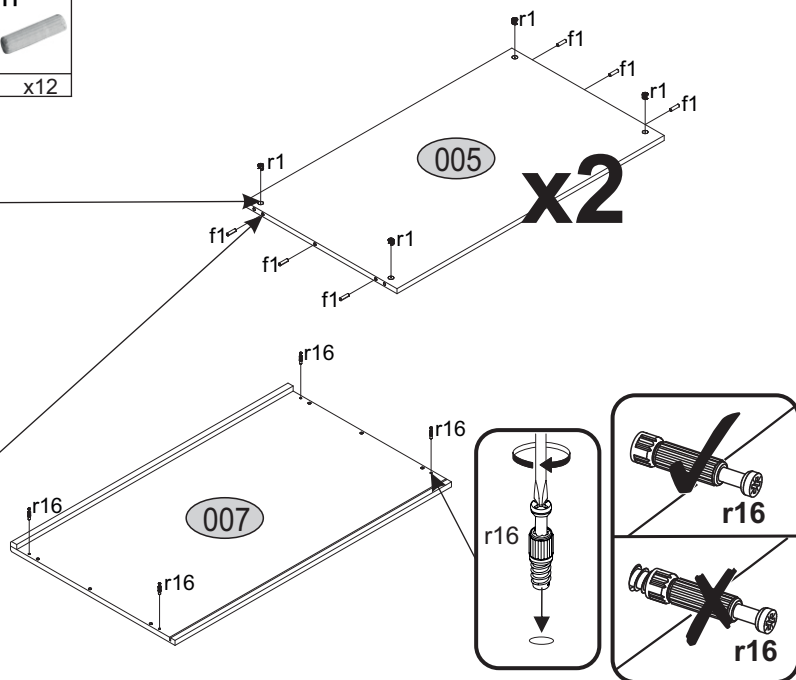
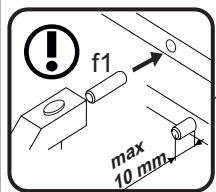
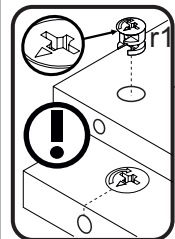


# Accessories:

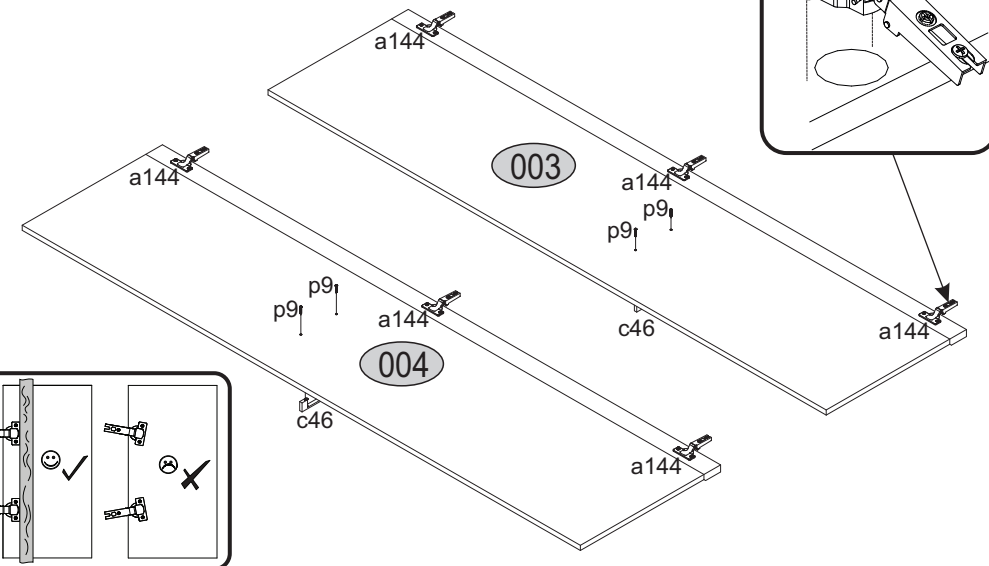
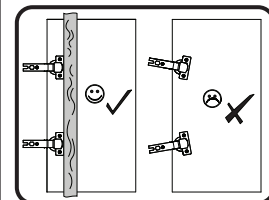
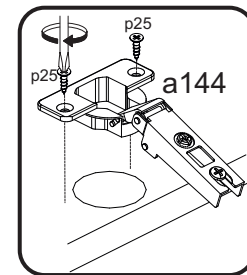
<p>4x e1 Ø7x50</p> 	<p>24x f1 Ø8x30</p> 	<p>1x f3</p> 	<p>1x n14</p> 
<p>1x p17 Ø6x50</p> 	<p>32x p25 Ø3.5x16</p> 	<p>12x r1 15x12</p> 	<p>12x r16 Ø5x24</p> 
<p>12x s2</p> 	<p>1x z1</p> 	<p>4x p9</p> 	<p>8x p18</p> 
<p>2x n260.01</p> 	<p>4x k311.05</p> 	<p>2x c46</p> 	<p>12x l2</p> 
<p>6x a144</p> 	<p>6x b119</p> 	<p>2x n301</p> 	



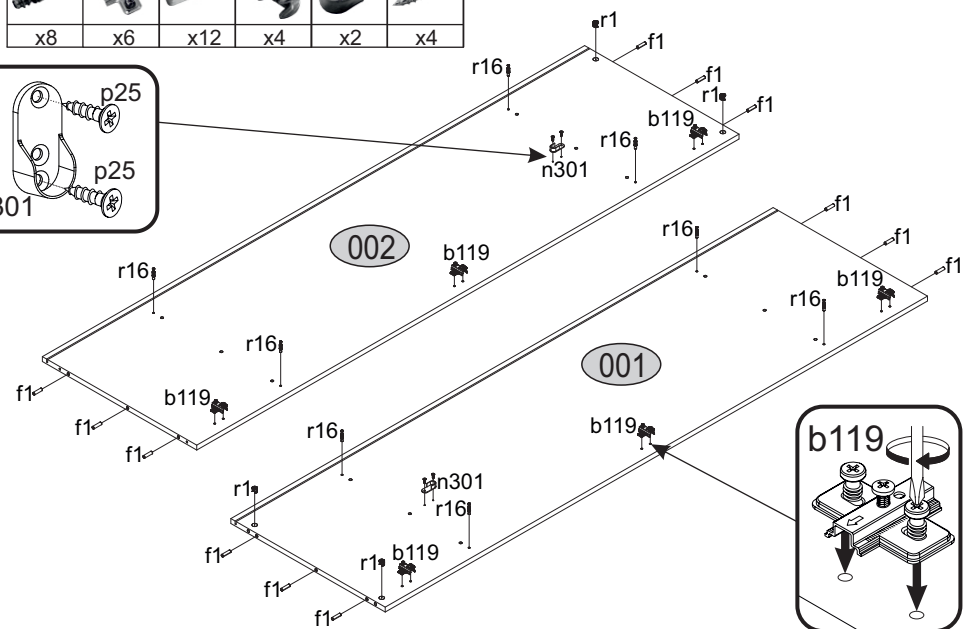
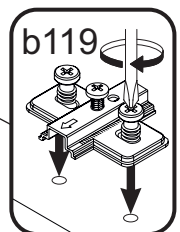
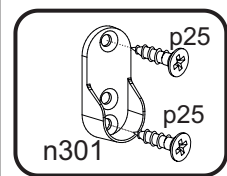
- 1**
- |    |     |     |
|----|-----|-----|
| r1 | r16 | f1  |
| x8 | x4  | x12 |



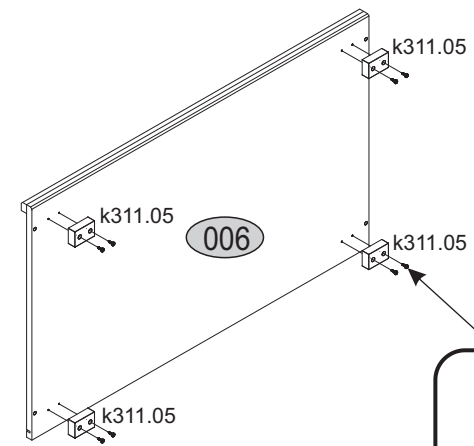
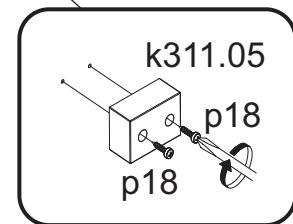
- 2**
- |      |     |     |    |
|------|-----|-----|----|
| a144 | p25 | c46 | p9 |
| x6   | x12 | x2  | x4 |



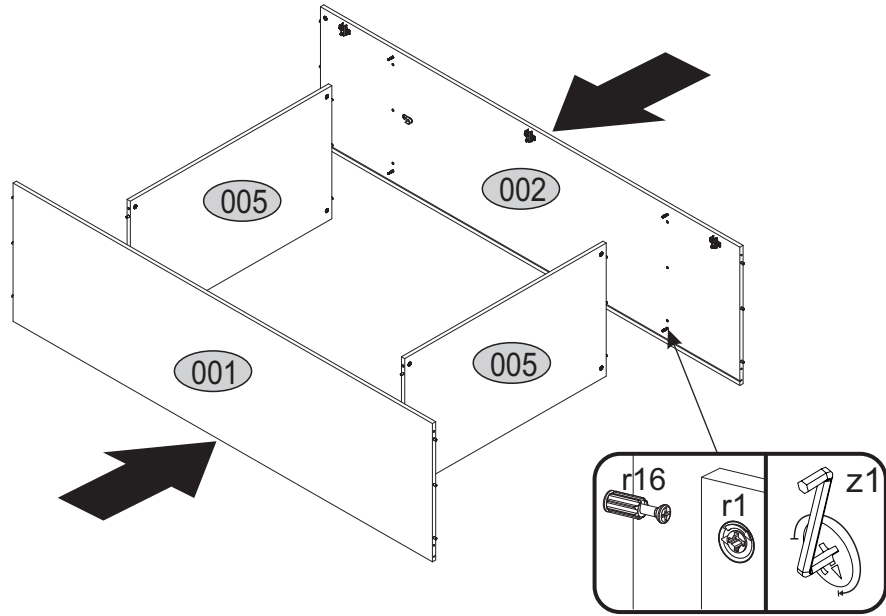
- 3**
- |     |      |     |    |      |     |
|-----|------|-----|----|------|-----|
| r16 | b119 | f1  | r1 | n301 | p25 |
| x8  | x6   | x12 | x4 | x2   | x4  |



- 4**
- |         |     |
|---------|-----|
| k311.05 | p18 |
| x4      | x8  |

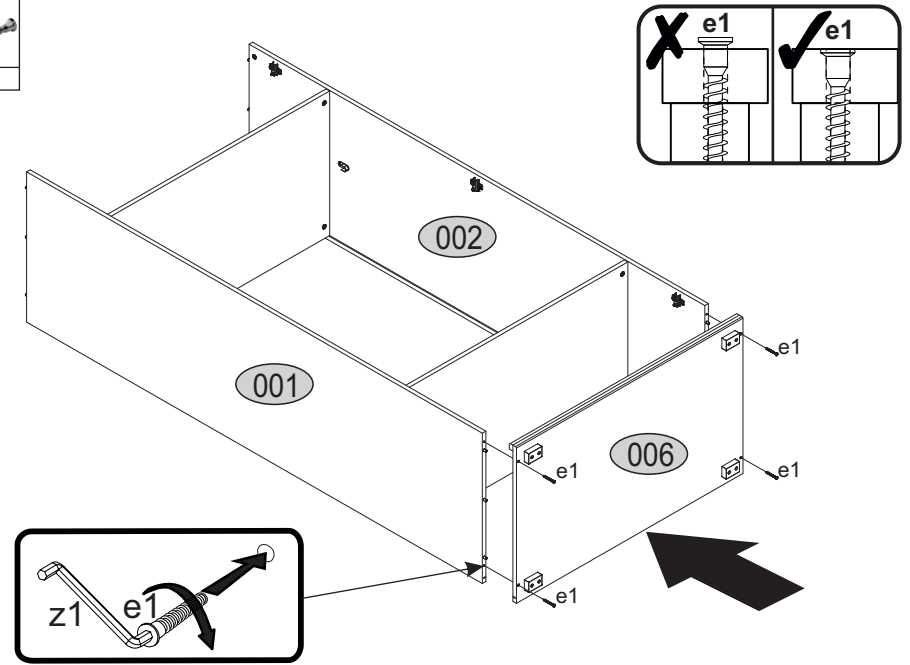


5

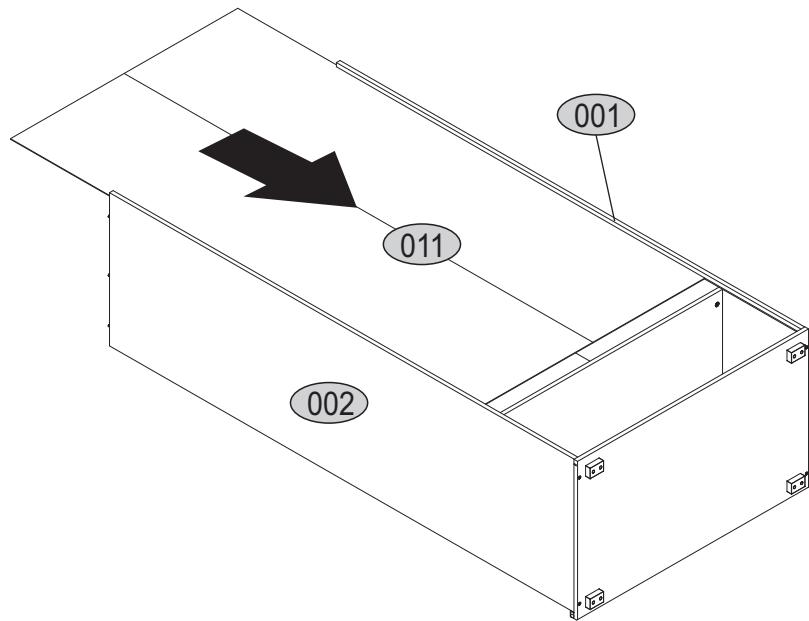


6

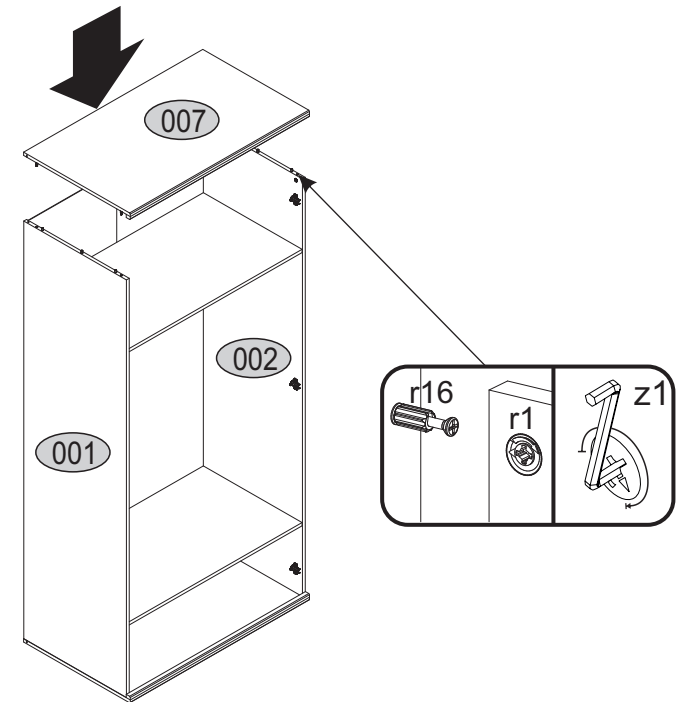
e1  
x4



7

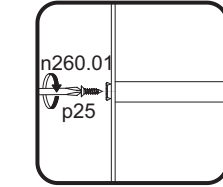
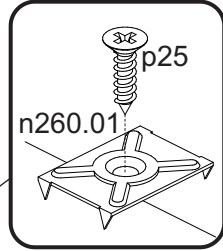
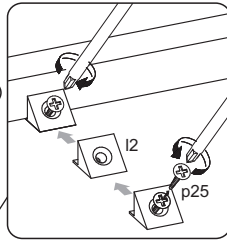
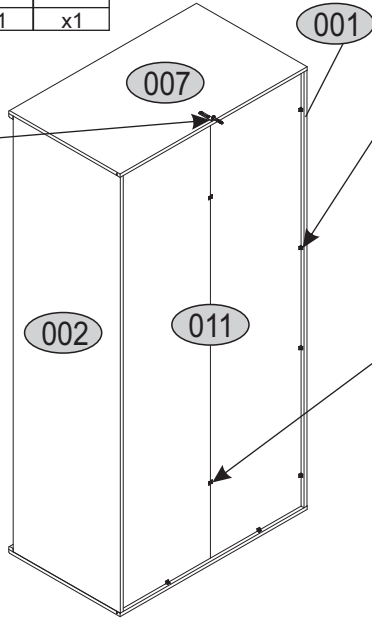
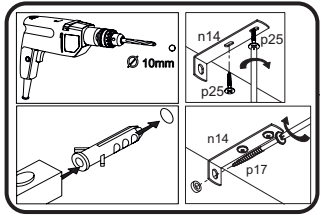


8



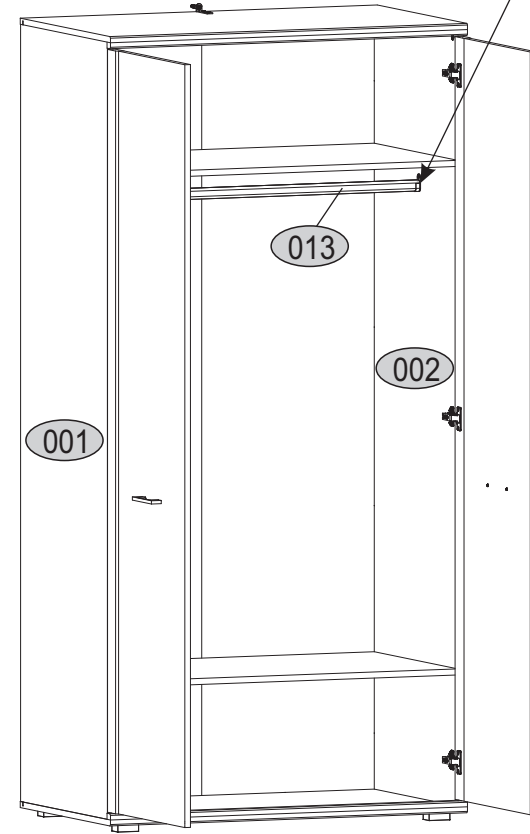
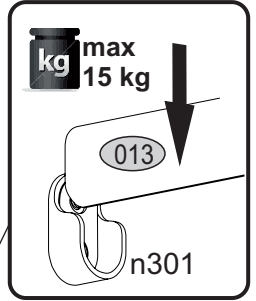
# 9

<b>p25</b> 	<b>l2</b> 	<b>n260.01</b> 	<b>n14</b> 	<b>f3</b> 	<b>p17</b> 
x16	x12	x2	x1	x1	x1



# 11

<b>s2</b> 
x12



# 10

