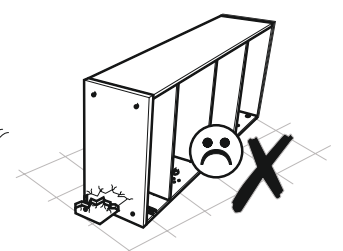
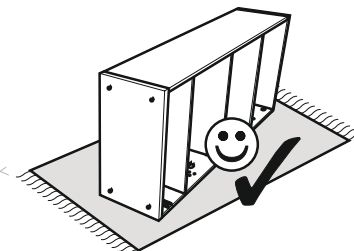
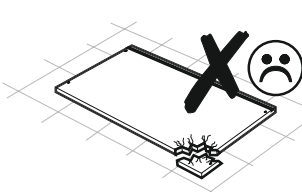
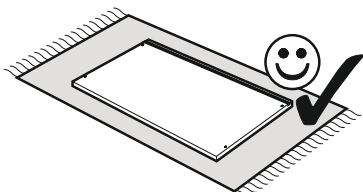
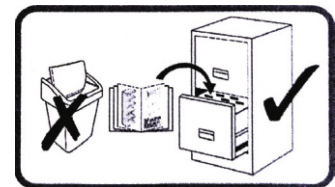
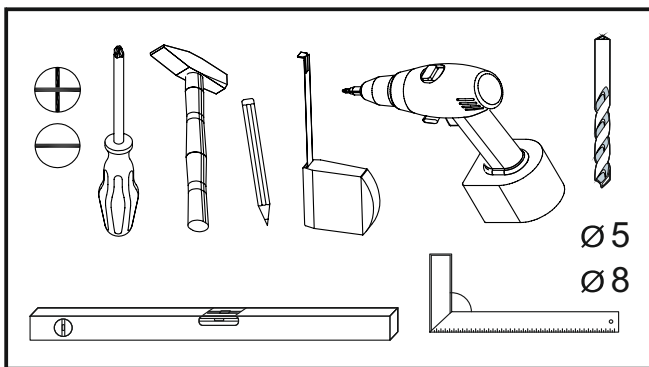
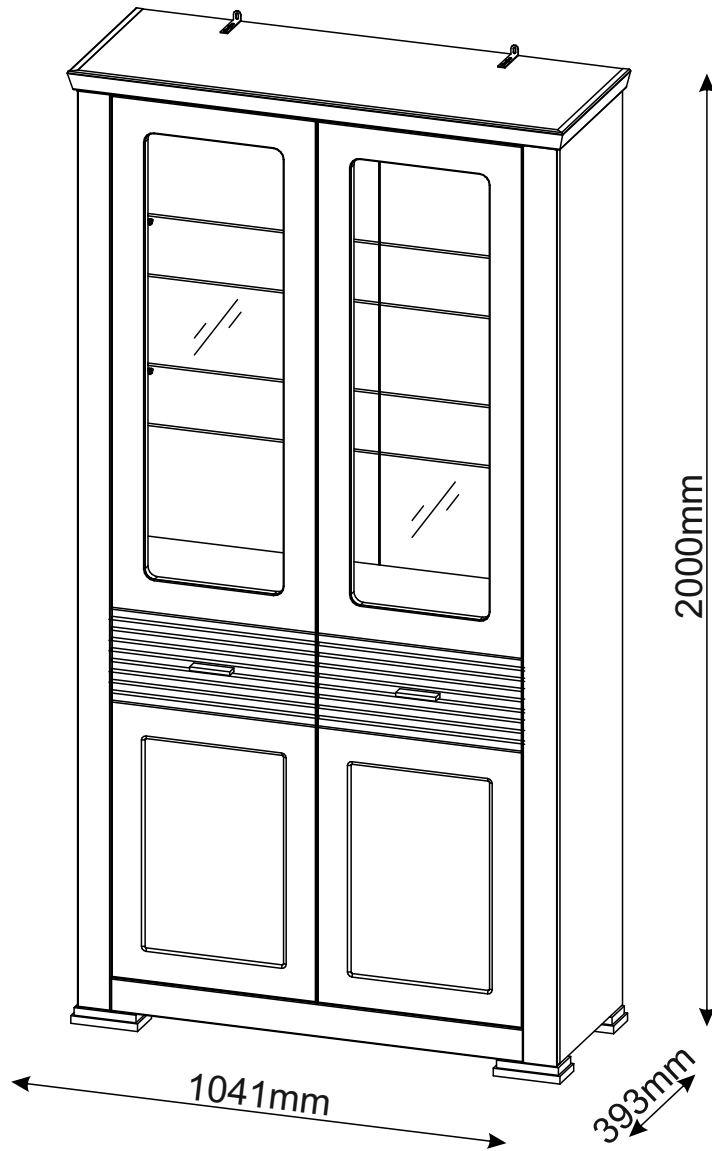
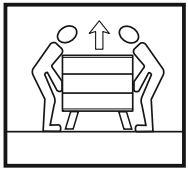
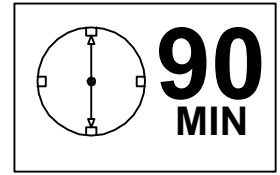
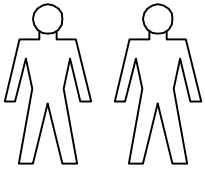
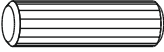

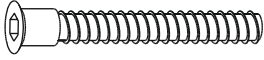




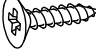
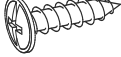
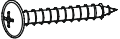
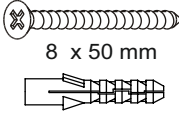


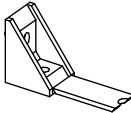
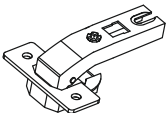
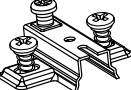
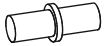

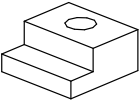
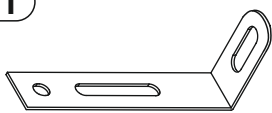

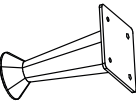



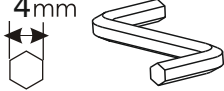
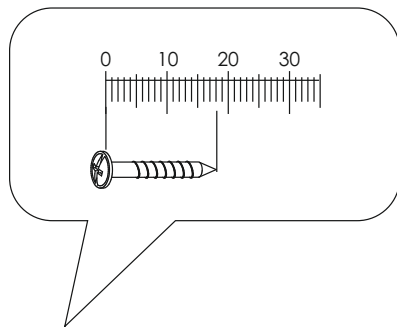


# Agnes Tall cabinet 2D glass



# Agnes Tall cabinet 2D glass


<b>A0</b> 8 x 30mm  <b>x14</b>	<b>B1</b> 6.4 x 50 mm  <b>x2</b>	<b>B2</b> 7 x 70 mm  <b>x4</b>
<b>C0</b>  <b>x10</b>	<b>C1</b> 16mm  <b>x14</b>	<b>C2</b>  <b>x14</b>
<b>D0</b> 3 x 15 mm  <b>x44</b>	<b>D10</b> 4 x 16 mm  <b>x16</b>	<b>D17</b> 3,5 x 16 mm  <b>x64</b>
<b>D18</b>  4.2 x 30 mm <b>x8</b>	<b>E4</b> 5 x 50 mm 8 x 50 mm  <b>x2</b>	<b>F0</b>  <b>x20</b>
<b>F1</b>  <b>x12</b>	<b>F2</b>  <b>x4</b>	<b>G8A</b>  <b>x8</b>
<b>G8B</b>  <b>x8</b>	<b>H0</b>  <b>x8</b>	<b>H1</b>  <b>x8</b>
<b>H7</b>  <b>x12</b>	<b>I1</b>  <b>x2</b>	<b>L35</b>  <b>x2</b>
<b>T8</b>  <b>x1</b>	<b>U0</b>  <b>x2</b>	<b>U2</b>  <b>x8</b>
	<b>U4</b>  <b>x8</b>	<b>Z</b> 4mm  <b>x1</b>

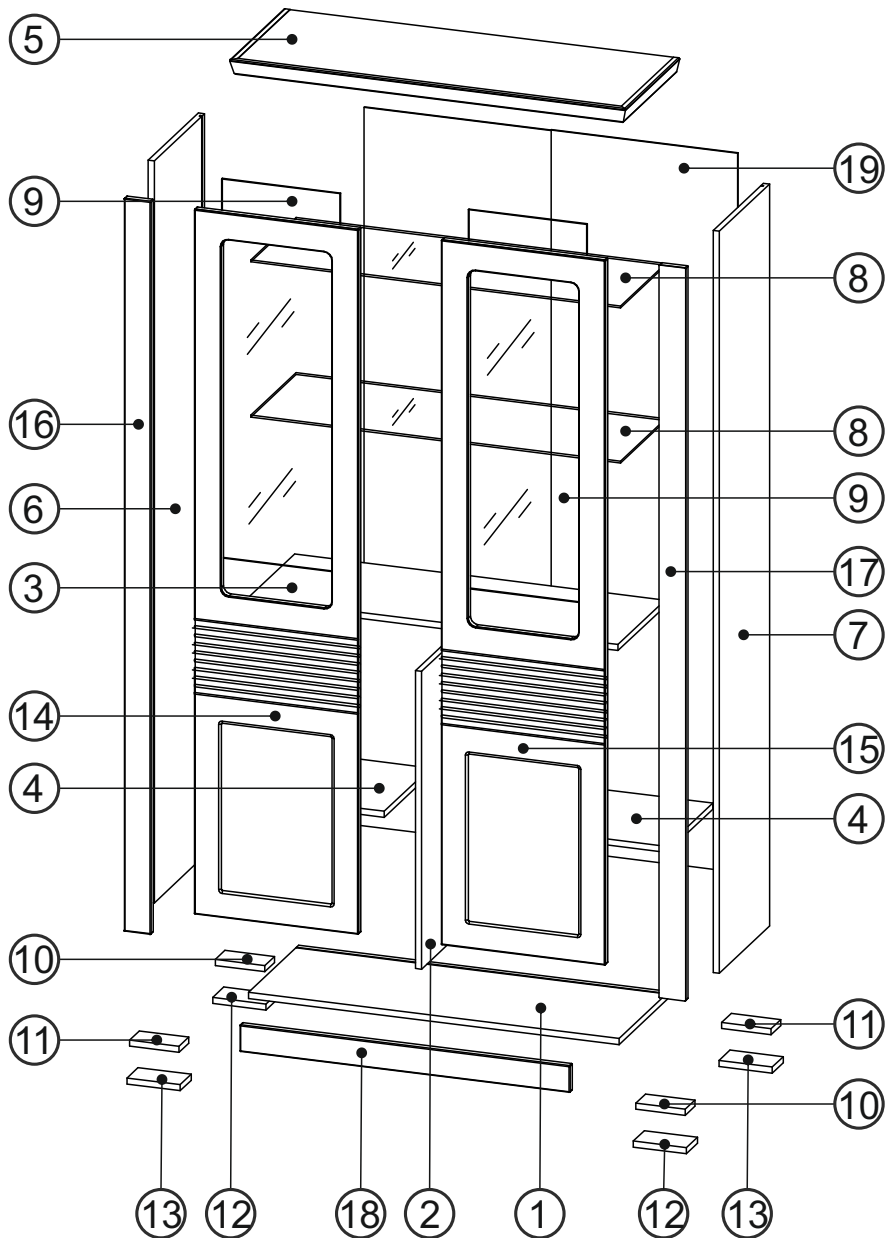


# Agnes Tall cabinet 2D glass

①	975	362.5	16	x1	1/3
②	783.5	340	16	x1	1/3
③	975	341	16	x1	1/3
④	479	333	16	x2	1/3
⑤	1041	393	40	x1	1/3
⑥	1952	363	16	x1	2/3
⑦	1952	363	16	x1	2/3

⑧	973	322	6	x2	2/3
⑨	977	311	5	x2	2/3
⑩	130	70	16	x2	3/3
⑪	130	70	16	x2	3/3
⑫	140	80	16	x2	3/3
⑬	140	80	16	x2	3/3
⑭	1854	431	16	x1	3/3

⑮	1854	431	16	x1	3/3
⑯	1928	70	18	x1	3/3
⑰	1928	70	18	x1	3/3
⑱	868	70	18	x1	3/3
⑲	1892	984	3	x1	3/3
					1/3



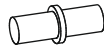
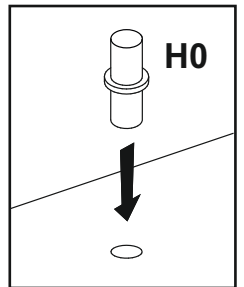
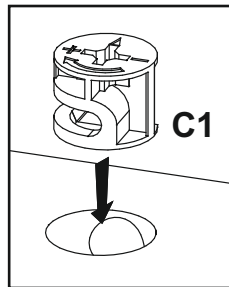
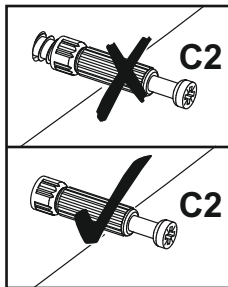
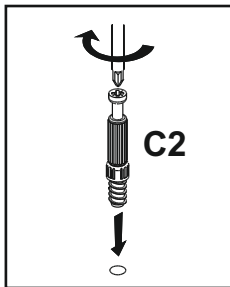
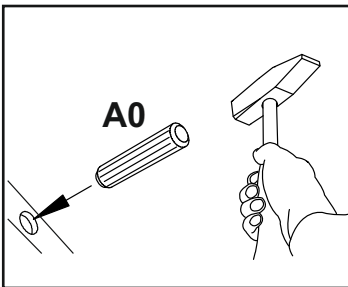
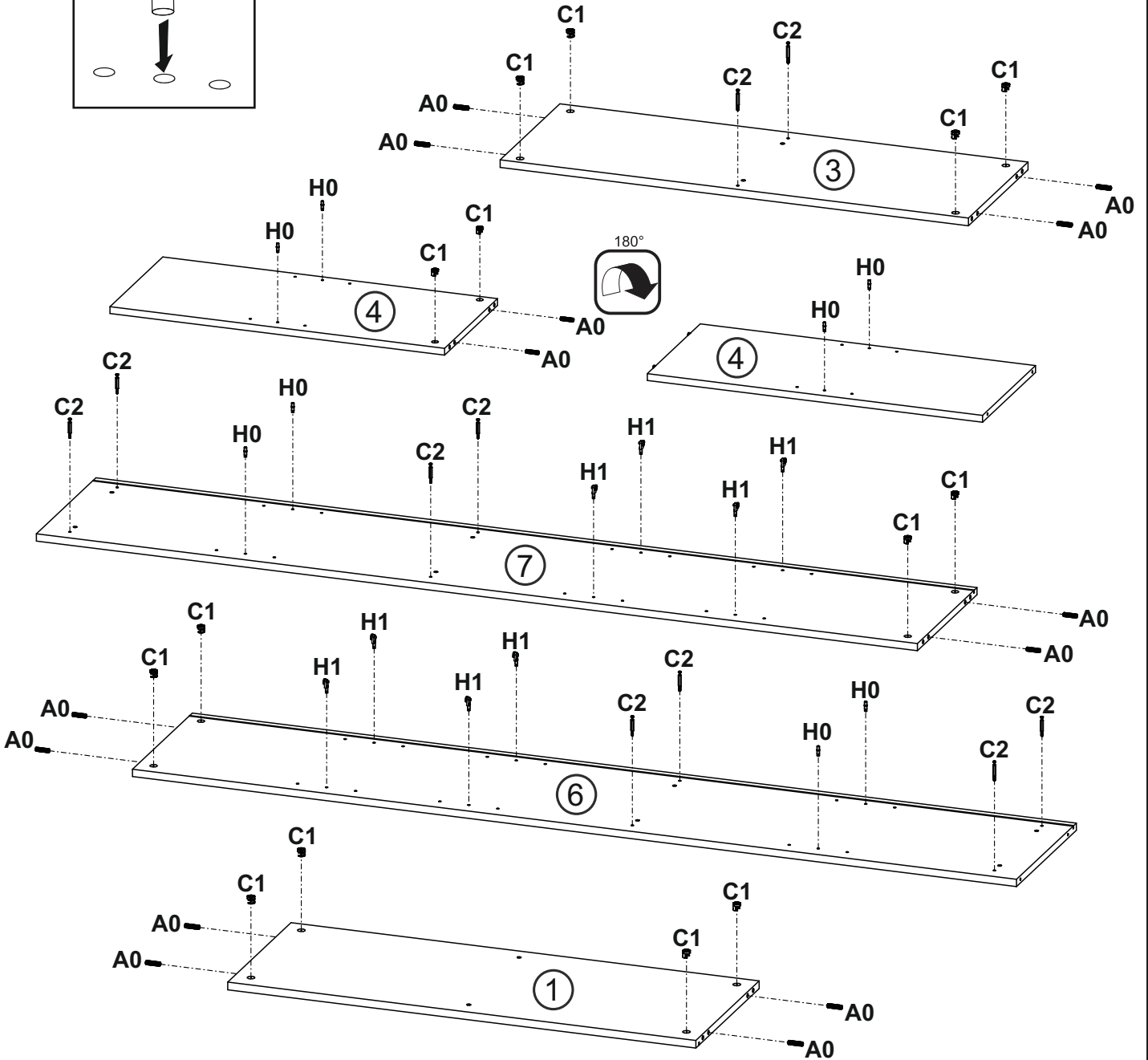
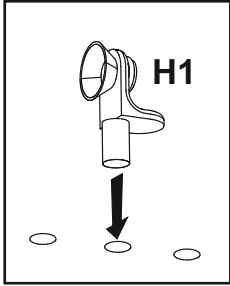
# 1

**A0**

8 x 30mm


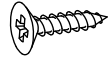
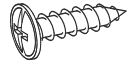

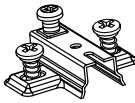
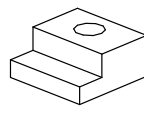
**x14****C1**

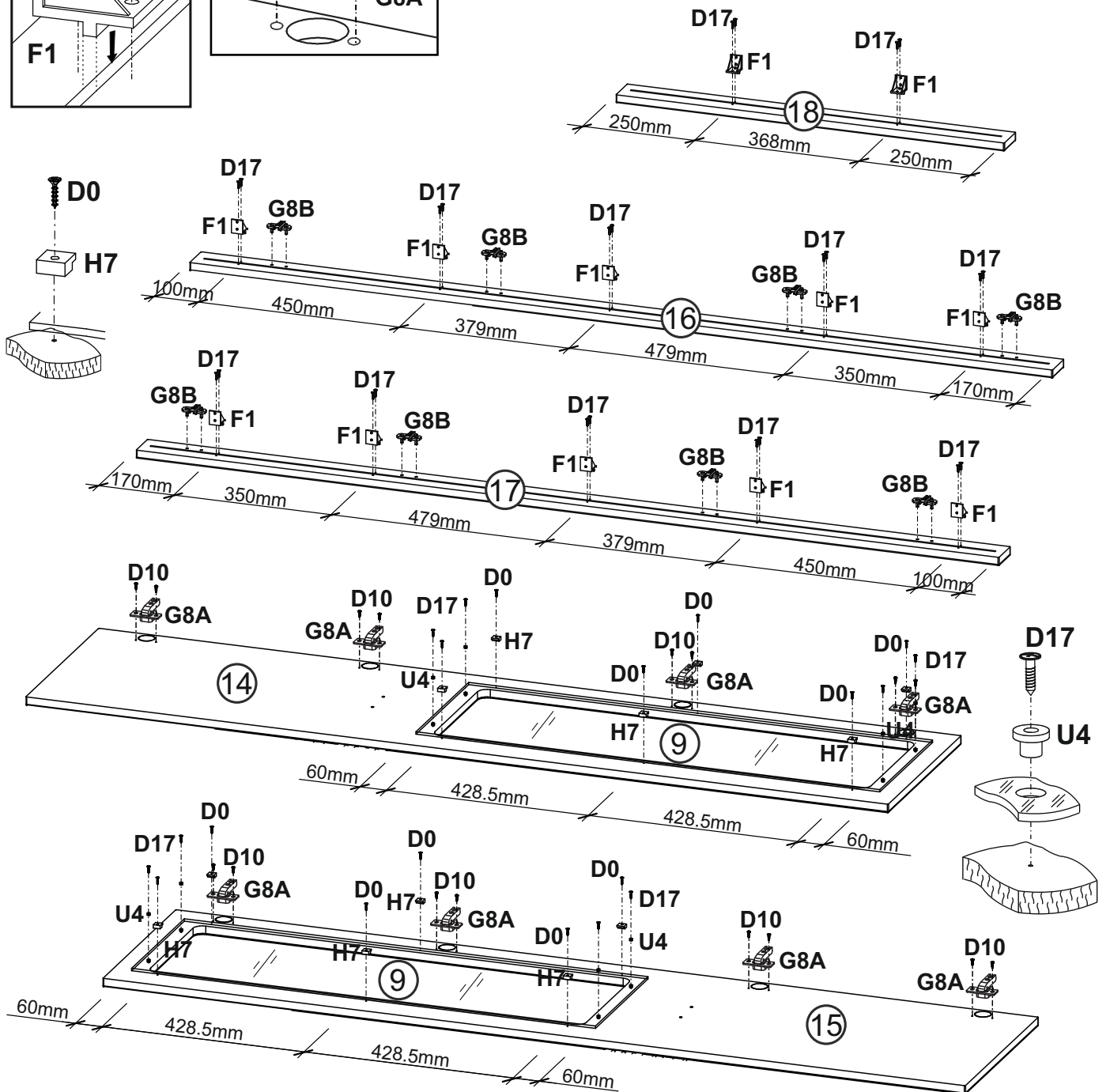
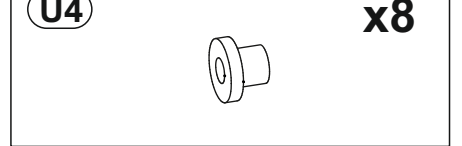
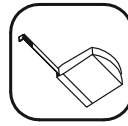
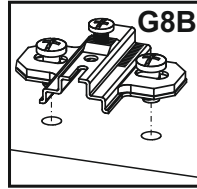
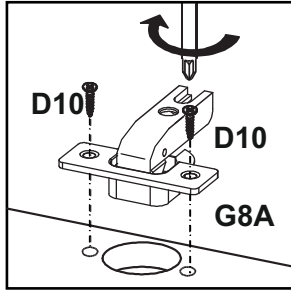
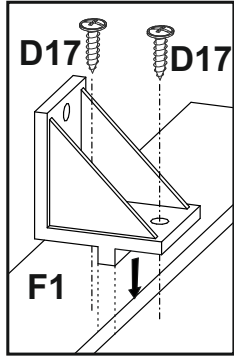
16mm

**x14****C2****x10****H0****x8****H1****x8**

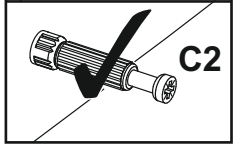
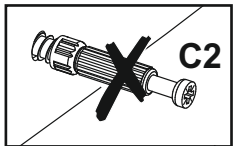
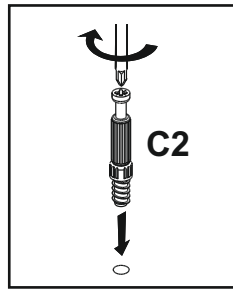
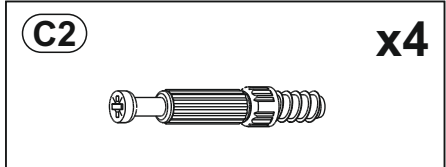
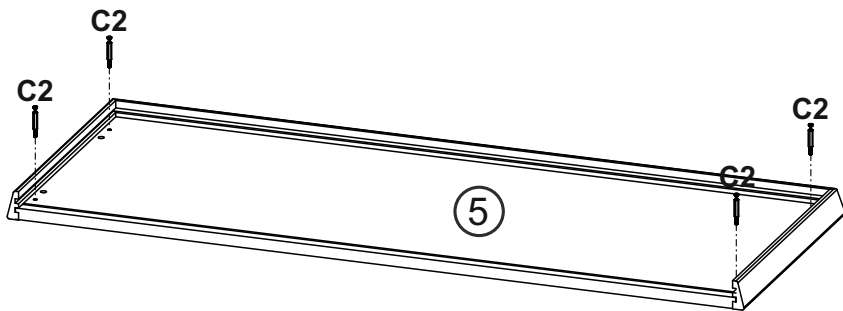


# 2

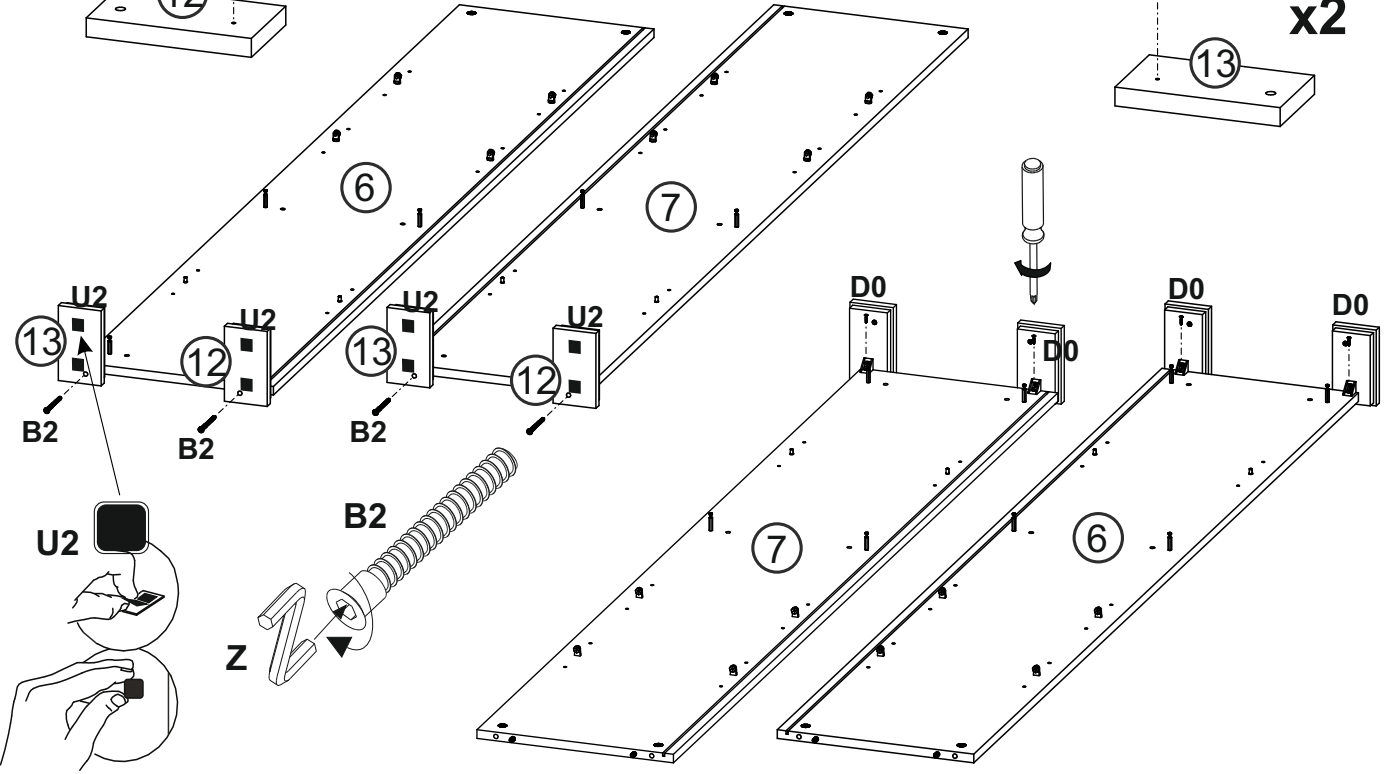
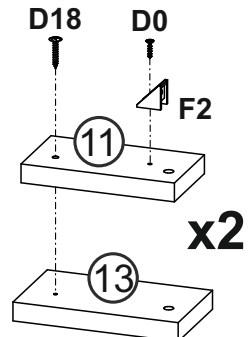
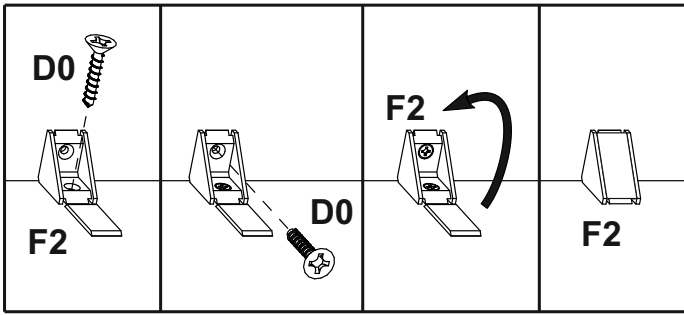
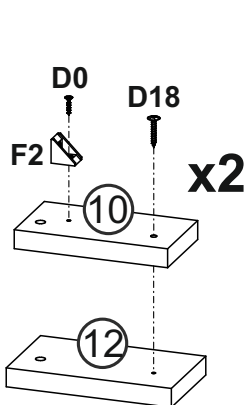
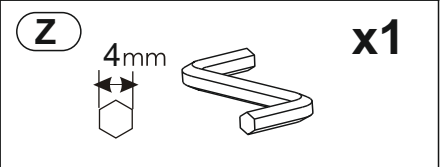
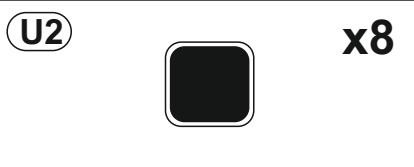
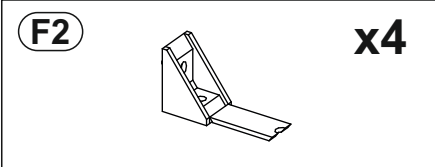
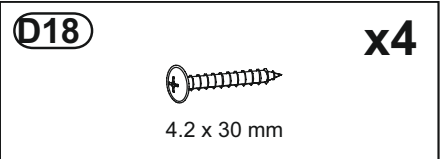
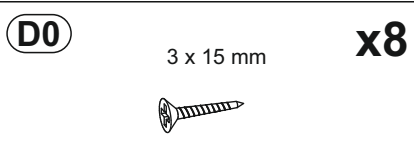
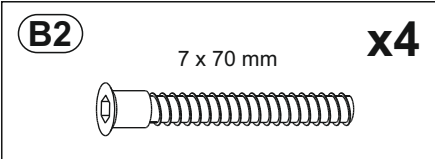
<b>D0</b> 3 x 15 mm 	<b>x12</b>	<b>D10</b> 4 x 16 mm 	<b>x16</b>	<b>D17</b>  3,5 x 16 mm	<b>x32</b>
<b>F1</b> 	<b>x12</b>	<b>G8B</b> 	<b>x8</b>	<b>H7</b> 	<b>x12</b>




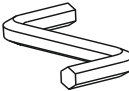
# 3

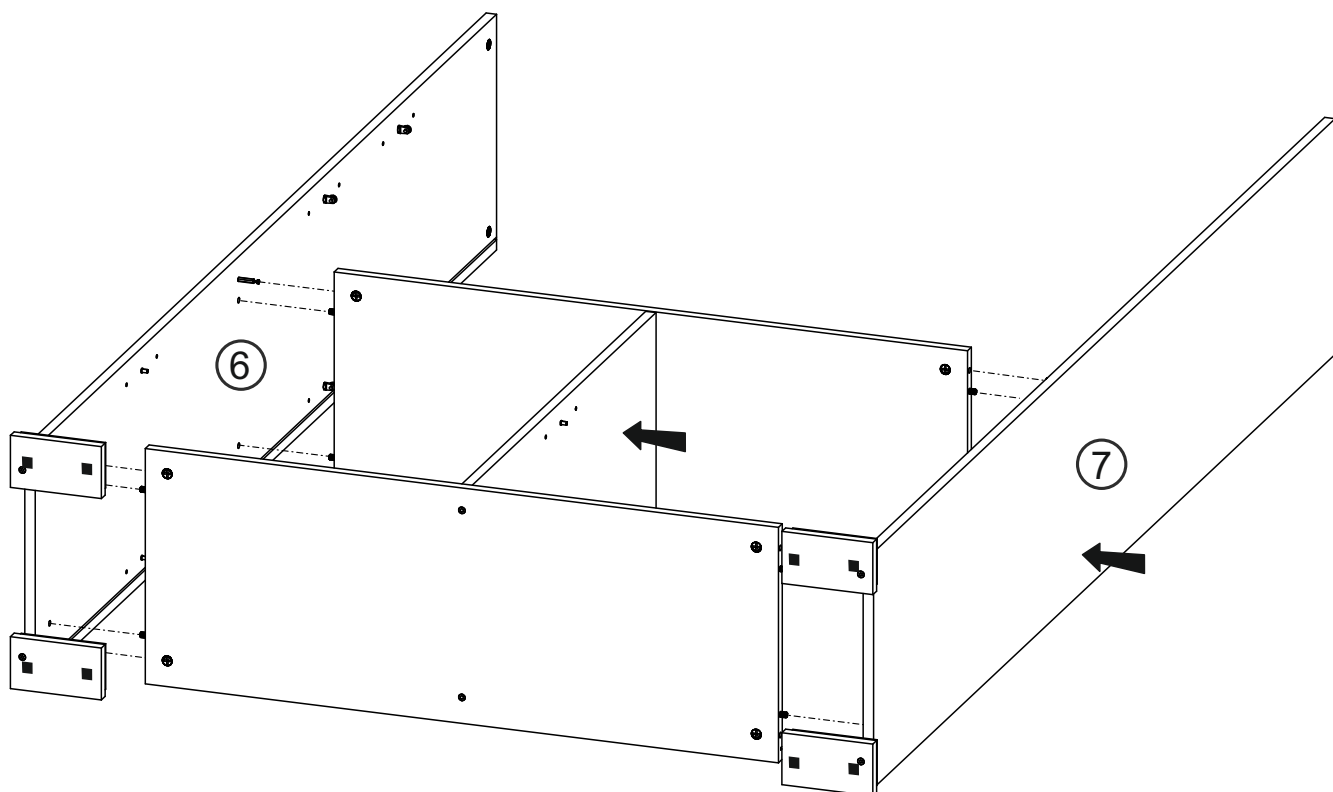
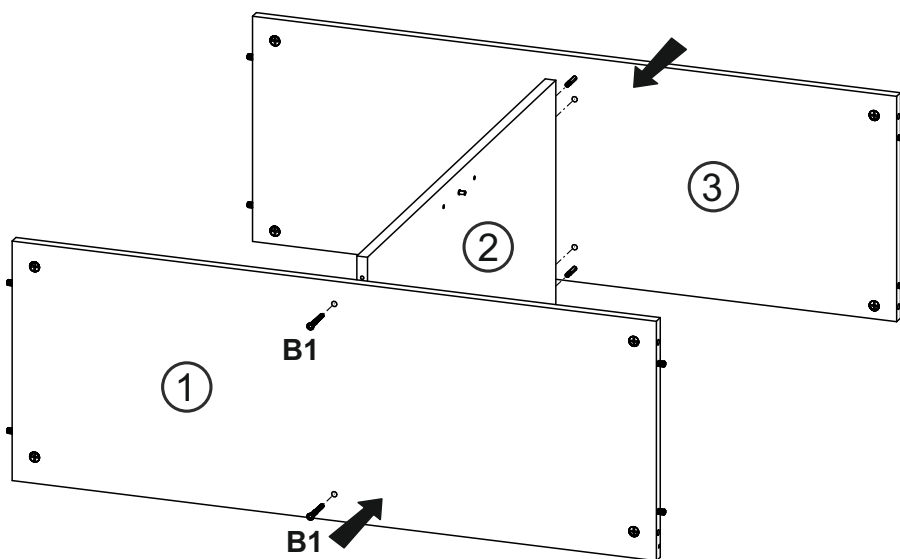
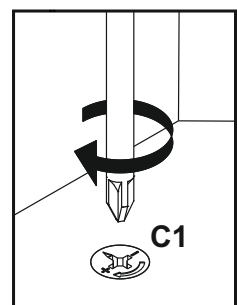
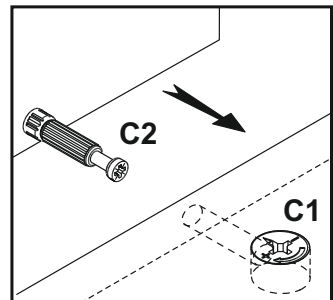
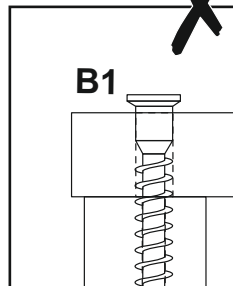
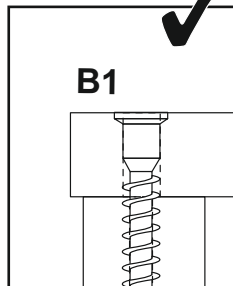
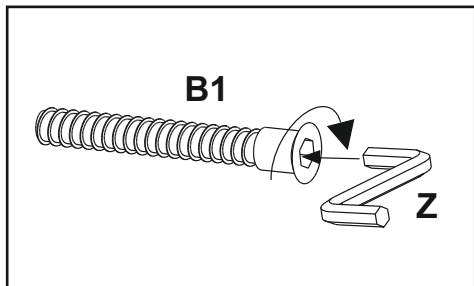


# 4

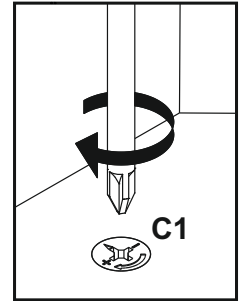
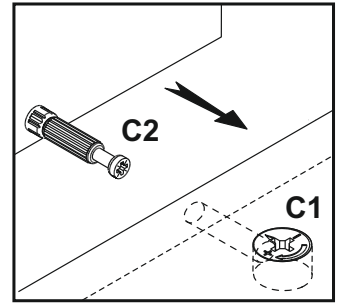
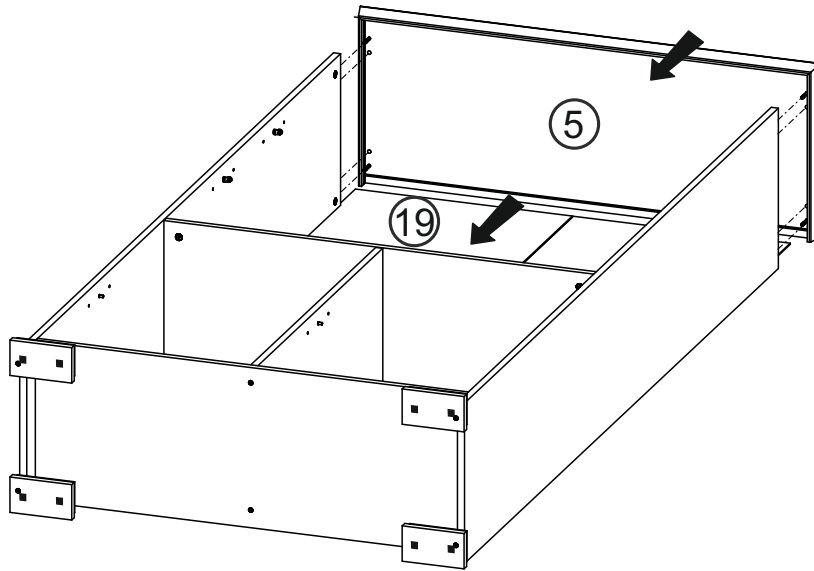


# 5


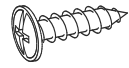
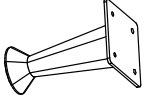
<b>(B1)</b> 6.4x 50 mm 	<b>x2</b>	<b>(Z)</b> 4mm 	<b>x1</b>
--	-----------	--	-----------

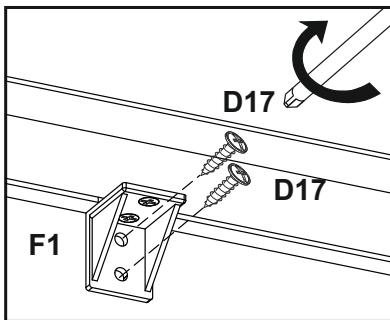


# 6

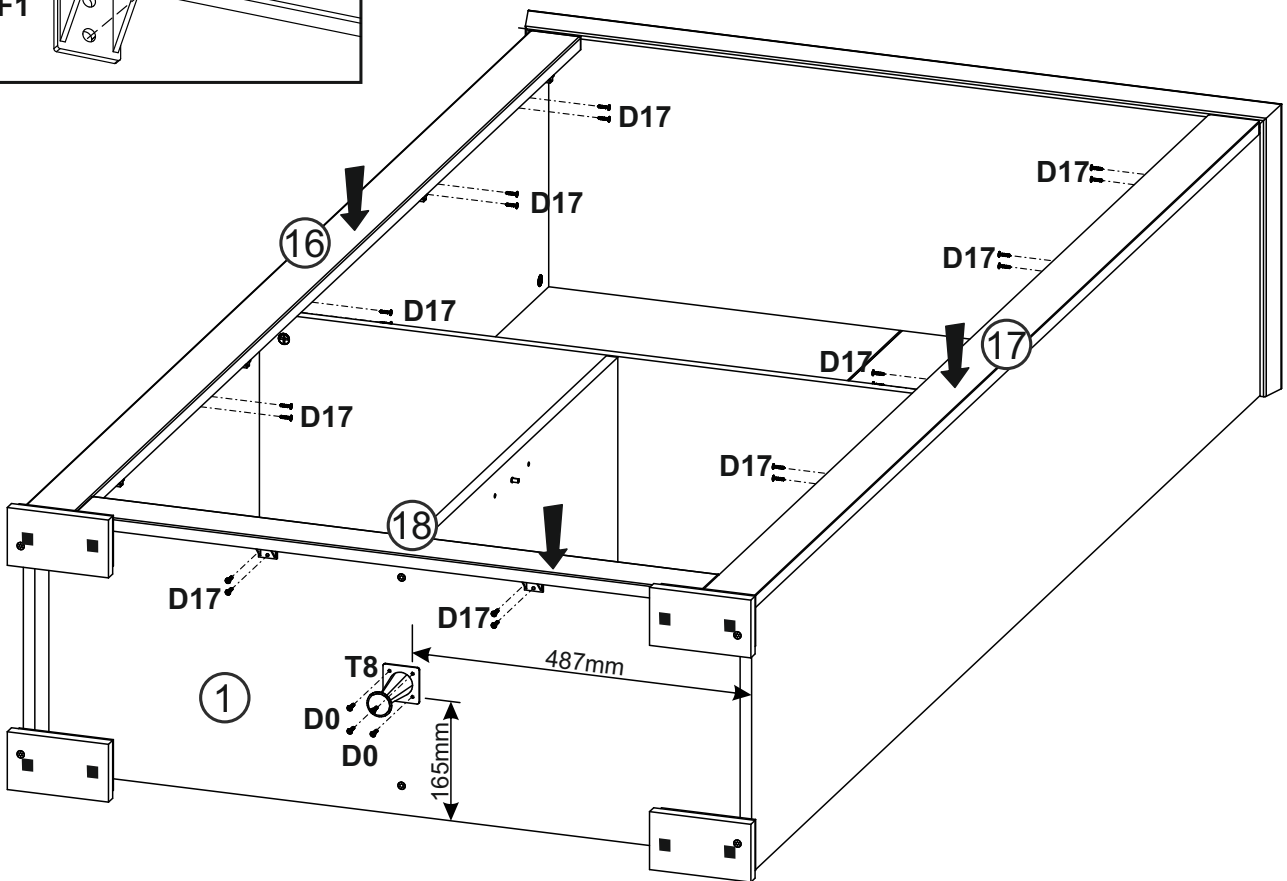


# 7

<b>D0</b> 3 x 15 mm  <b>x4</b>	<b>D17</b> 3,5 x 16 mm  <b>x24</b>	<b>T8</b>  <b>x1</b>
--	--	---



F1



# 8

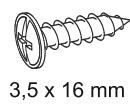
**(D0)**

3 x 15 mm

**x20**



**(D17)**



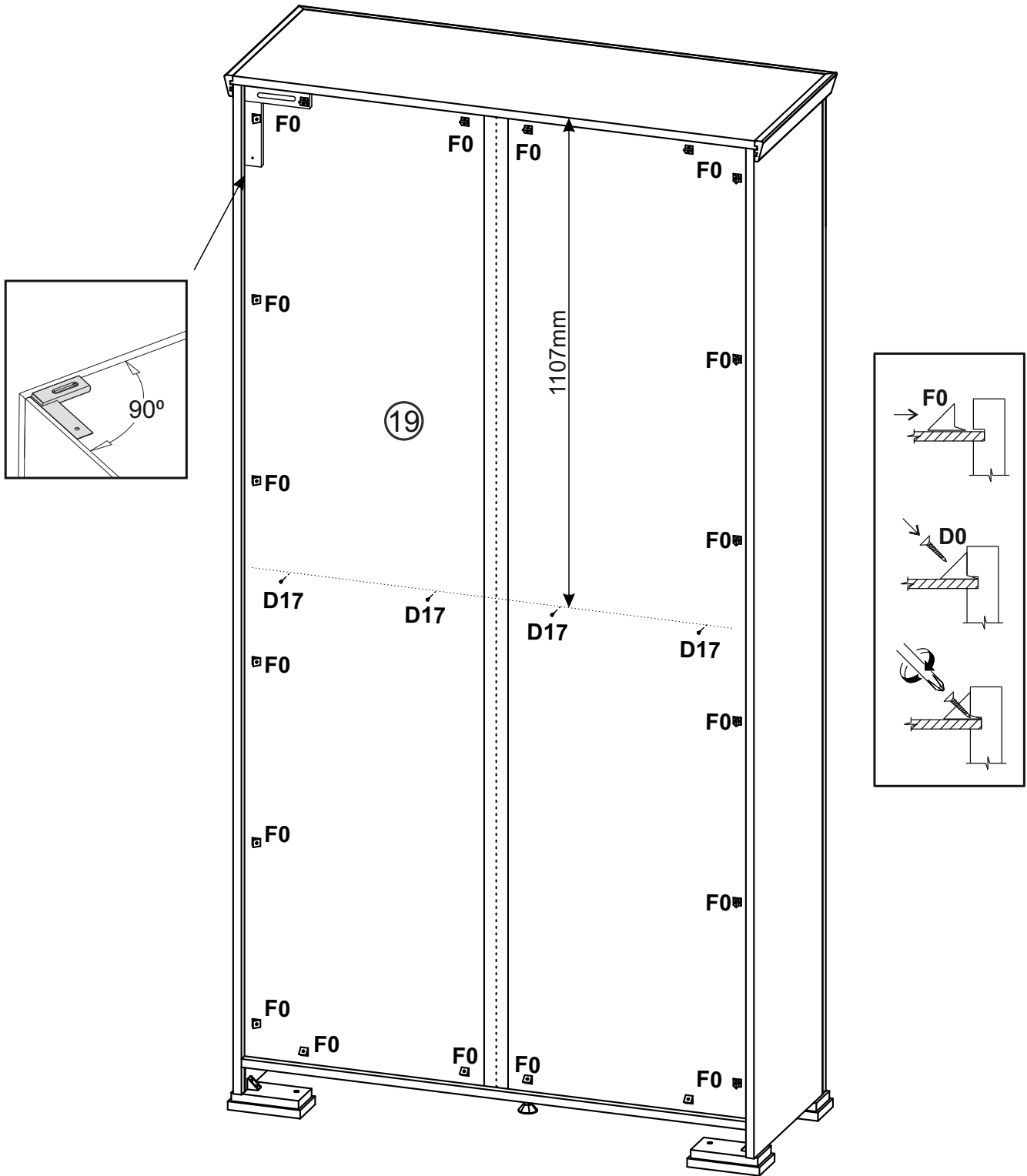
3,5 x 16 mm

**x4**

**(F0)**



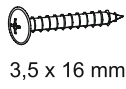
**x20**



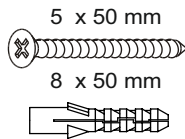
# 9

**D17**

**x4**



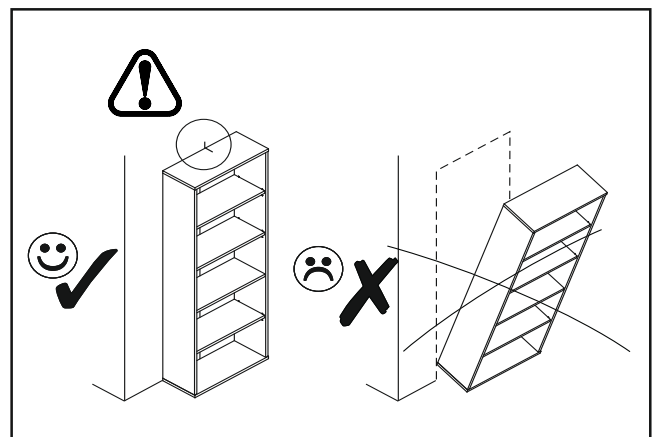
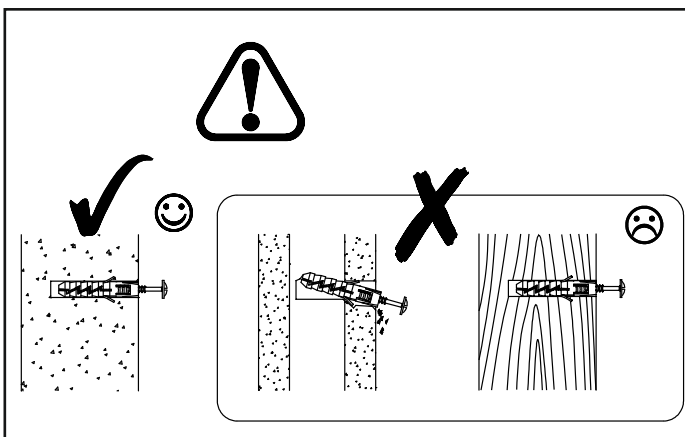
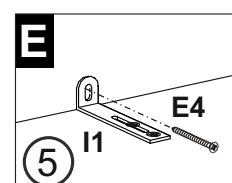
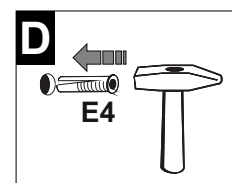
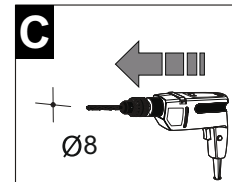
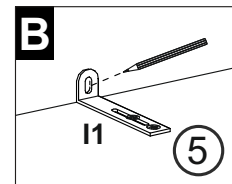
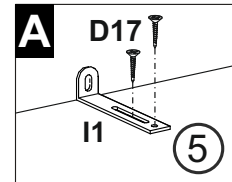
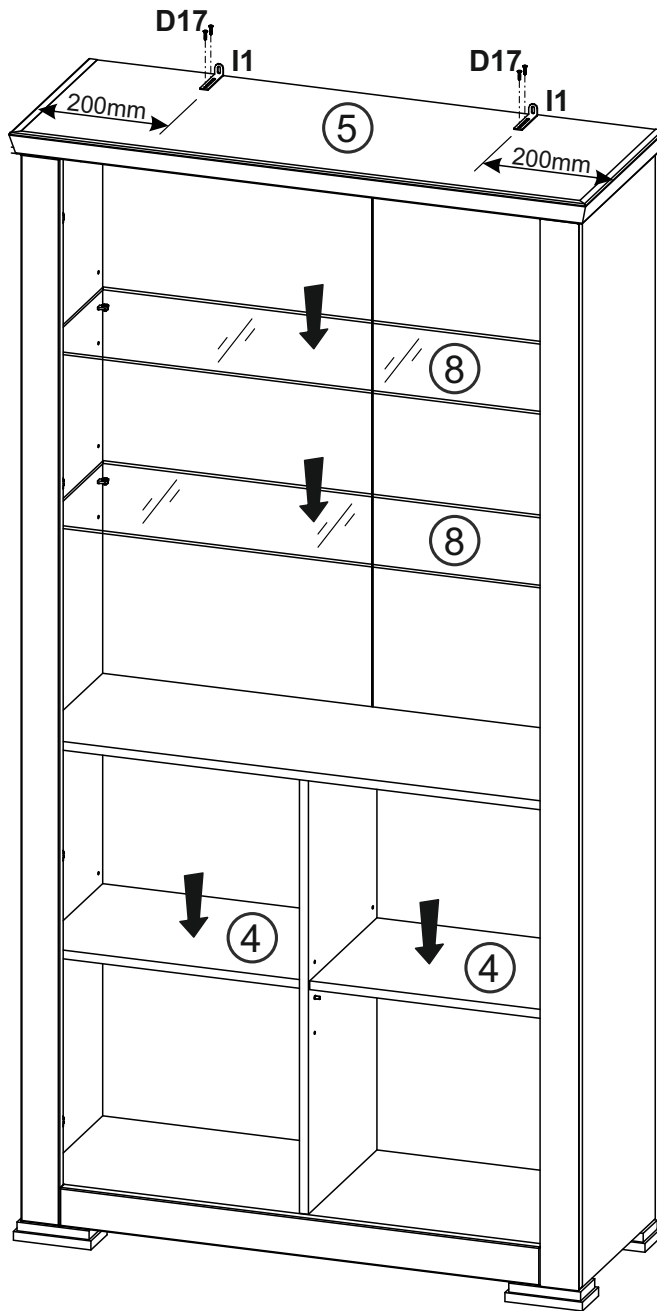
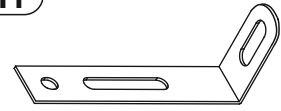
**E4**



**x2**

**I1**

**x2**



# 10

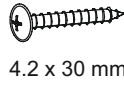
(C0)

x10



(D18)

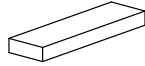
x4



4.2 x 30 mm

(L35)

x2



(U0)

x2

