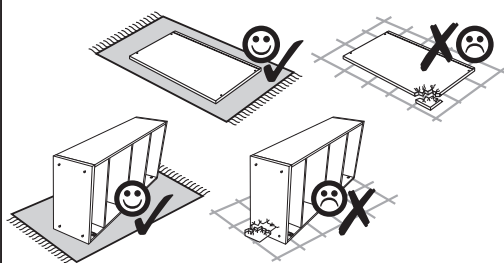
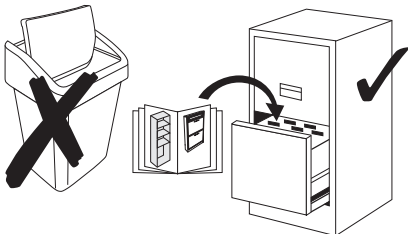
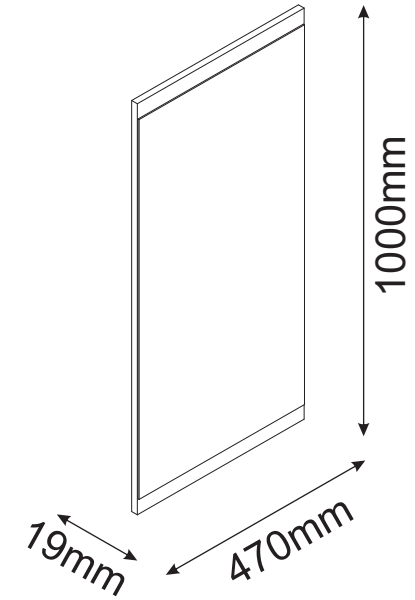
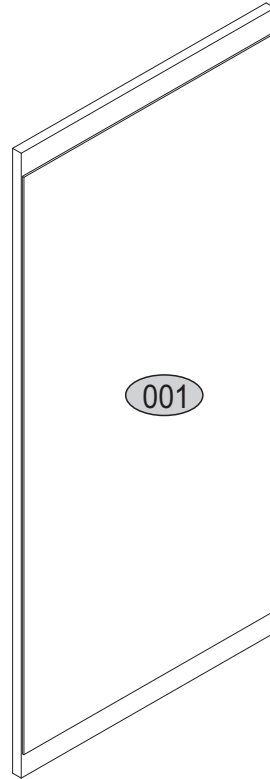
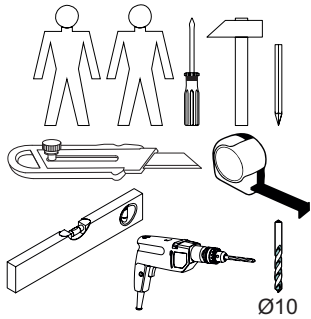
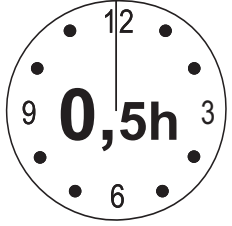





# Installation manual

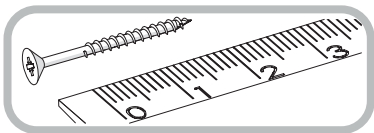
## AYSON Lustro 50



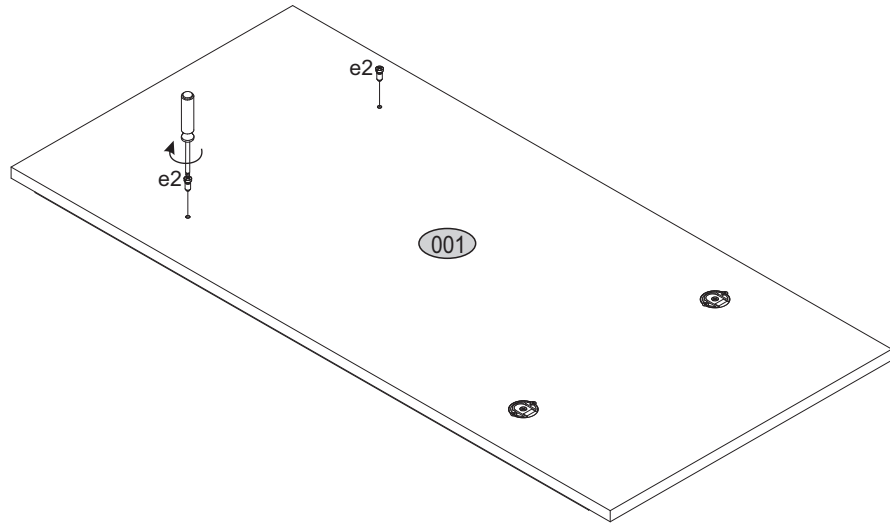
Code	Dimensions			Package
001	470	1000	20	1
Accessories				1

# Accessories:

<p>2x p17</p> <p>Ø6x50</p> 	<p>2x e2</p> <p>Ø6.3x13</p> 	<p>2x f3</p> 	
--	---	---	--



# 1



# 2

