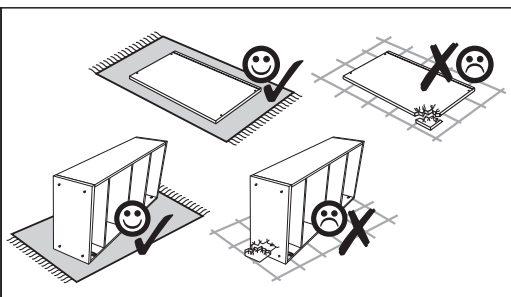
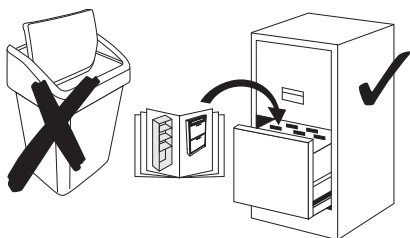
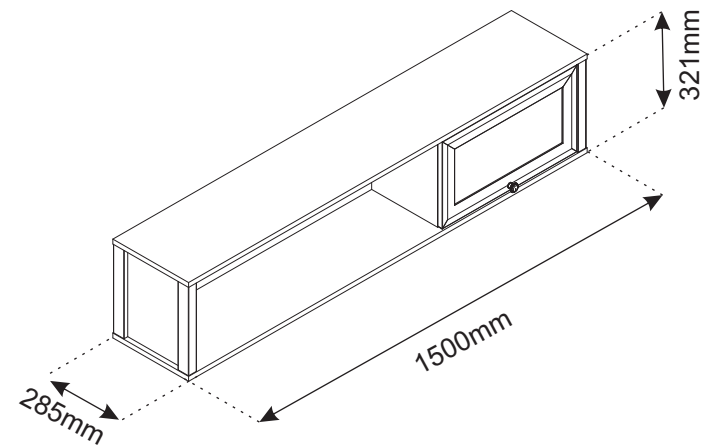
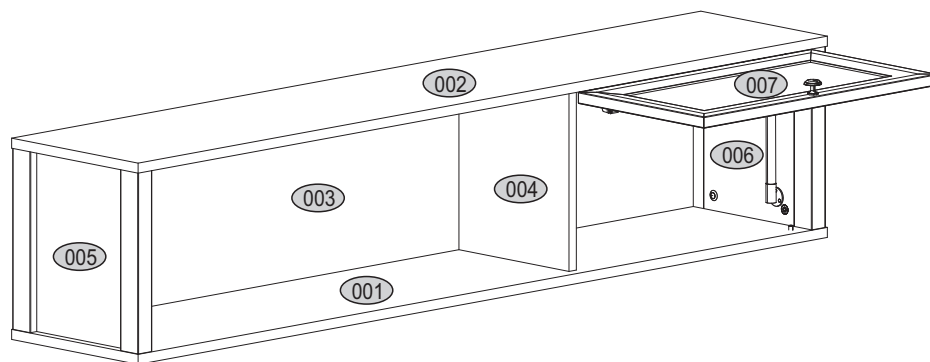
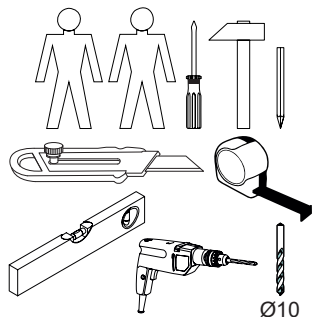
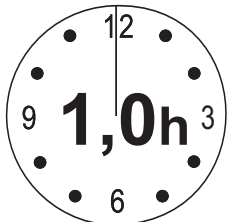

















# Installation manual

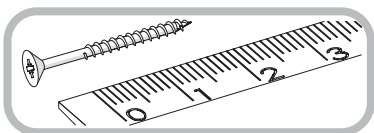
## BRENT Szafka wisząca 1D



Code	Dimensions			Package
001	1500	285	16	1 / 1
002	1500	285	16	1 / 1
003	1436	289	16	1 / 1
004	289	247	16	1 / 1
005	289	282	16/30	1 / 1
006	289	282	16/30	1 / 1
007	507	283	18	1 / 1
<b>Accessories</b>				1 / 1

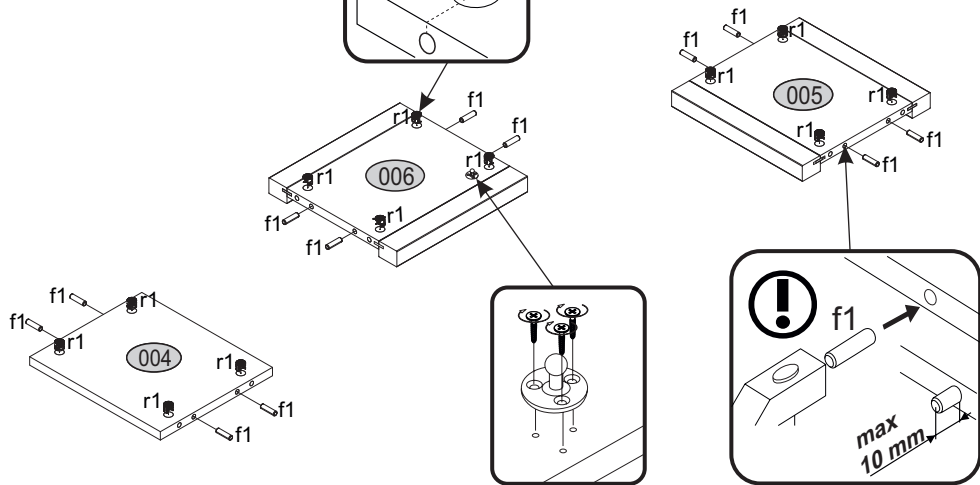
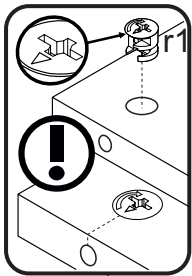
# Accessories:

<p>18x r1 15x12</p> 	<p>2x b119</p> 	<p>1x c44</p> 	<p>20x f1 Ø8x30</p> 
<p>1x j8</p> 	<p>1x d3</p> 	<p>18x r16 Ø5x24</p> 	<p>2x e2</p> 
<p>2x g2</p> 	<p>1x m25</p> 	<p>2x a143</p> 	<p>4x e19</p> 
<p>2x p17 Ø6x50</p> 	<p>2x f3</p> 	<p>1x m35</p> 	



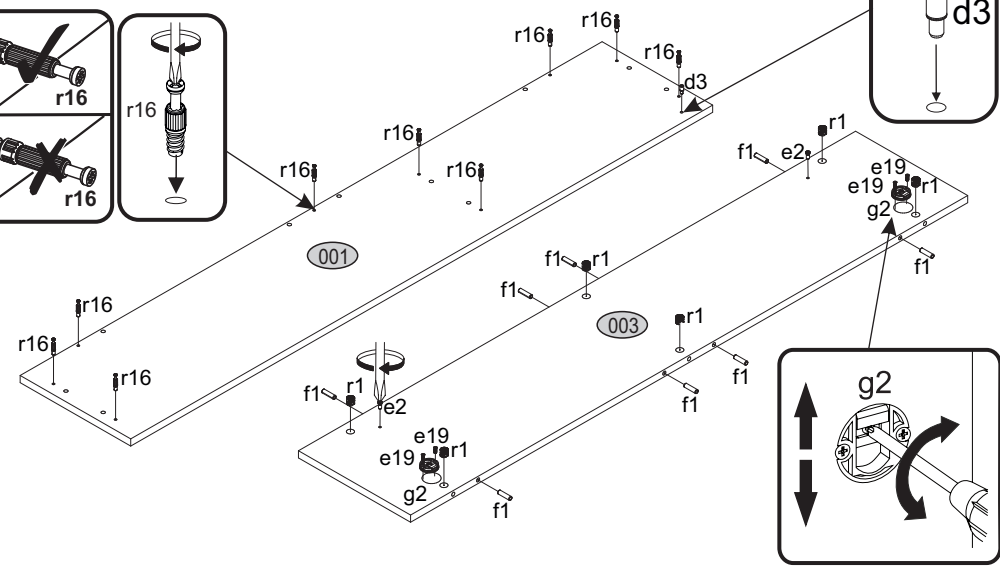
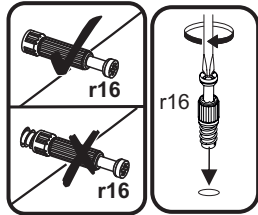
# 1

r1	f1	m25
x12	x12	x1



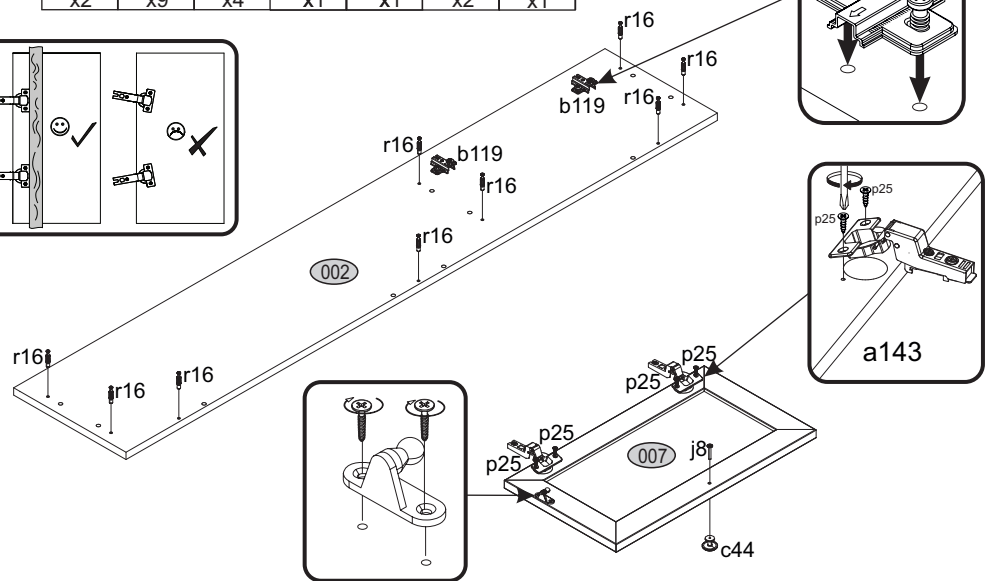
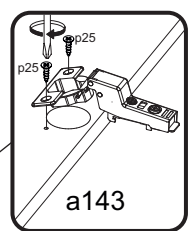
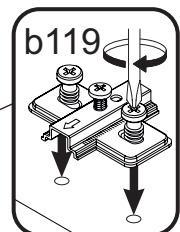
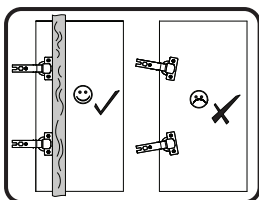
# 2

r16	d3	e2	r1	f1	g2	e19
x9	x1	x2	x6	x8	x2	x4

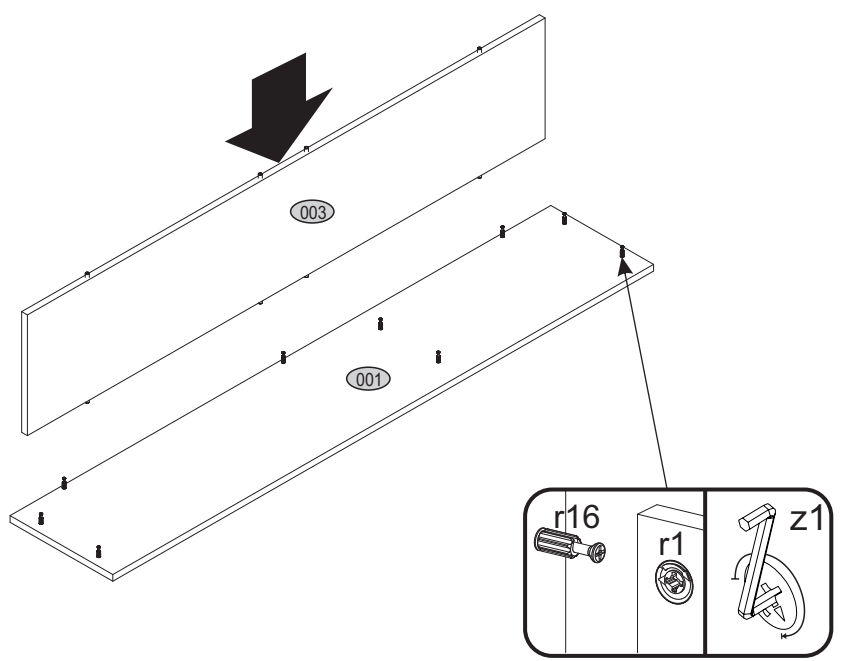


# 3

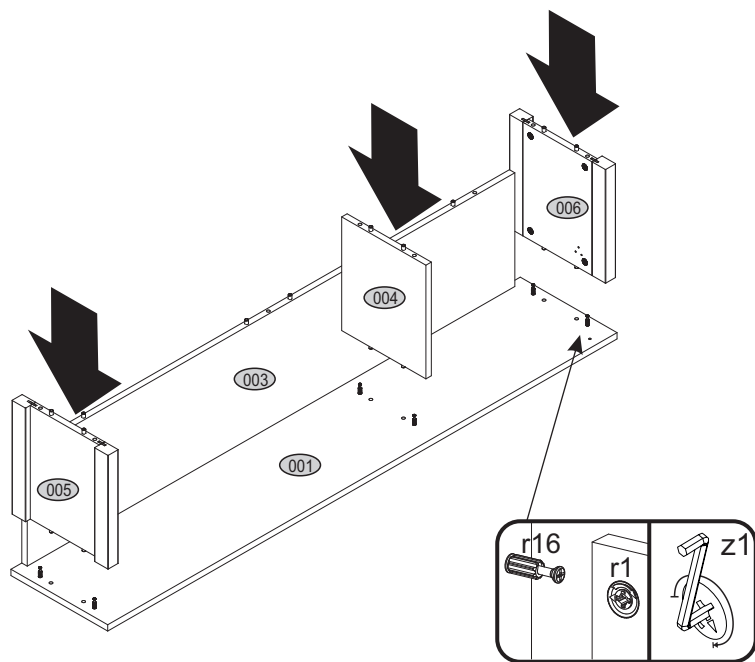
a143	r16	p25	j8	c44	b119	m25
x2	x9	x4	x1	x1	x2	x1



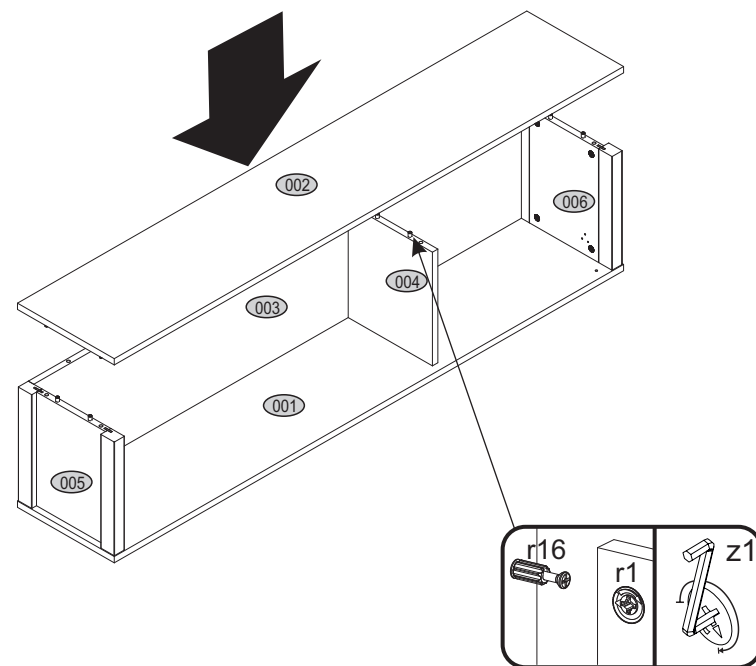
# 4



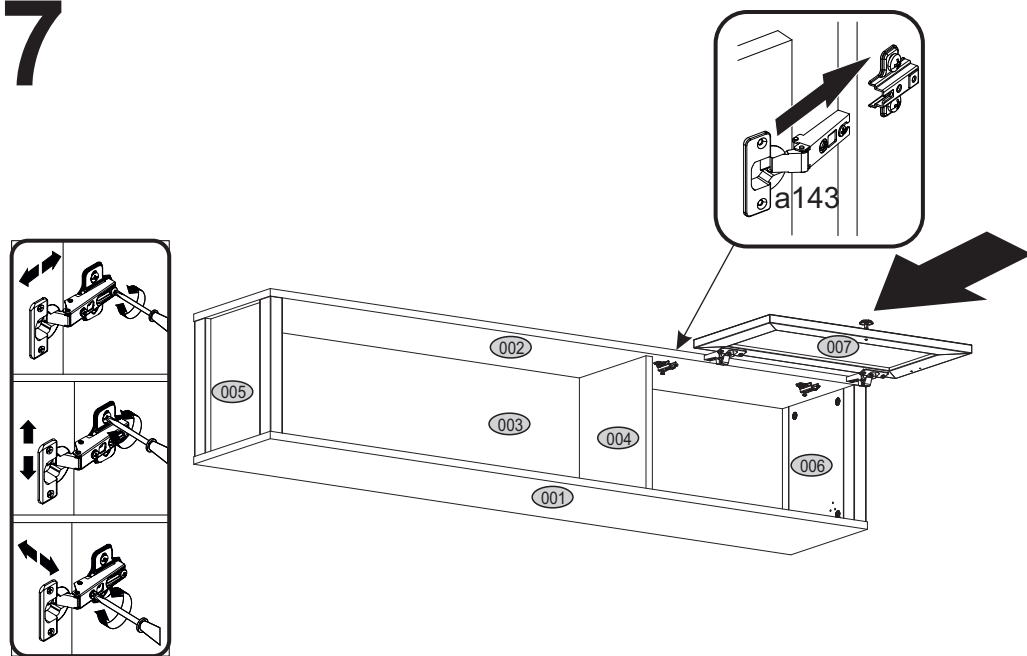
# 5



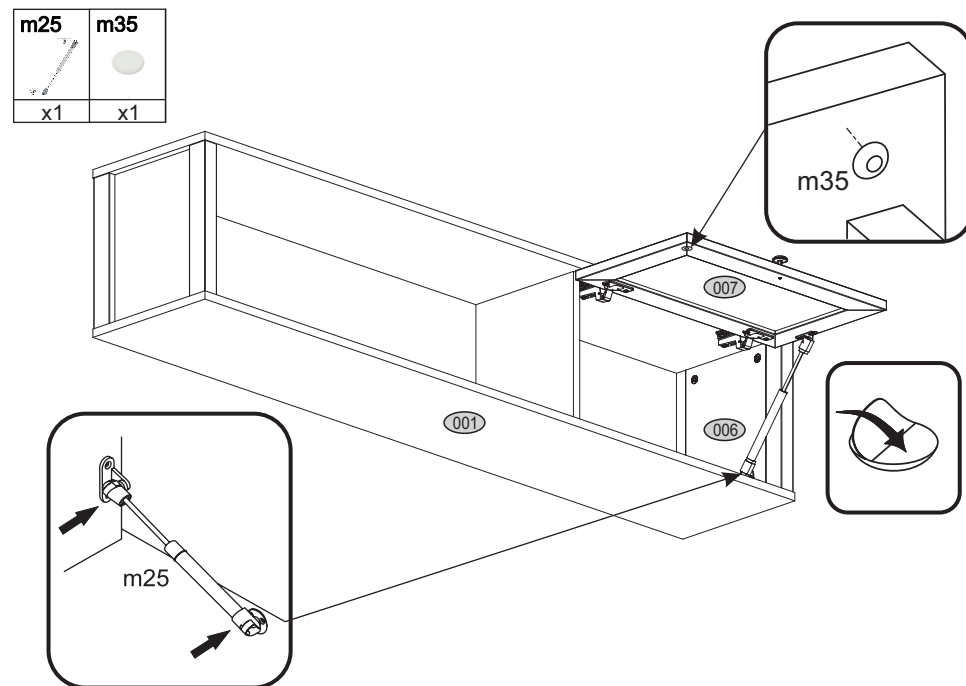
# 6





# 7



# 8



# 9

f3	p17
	
x2	x2

