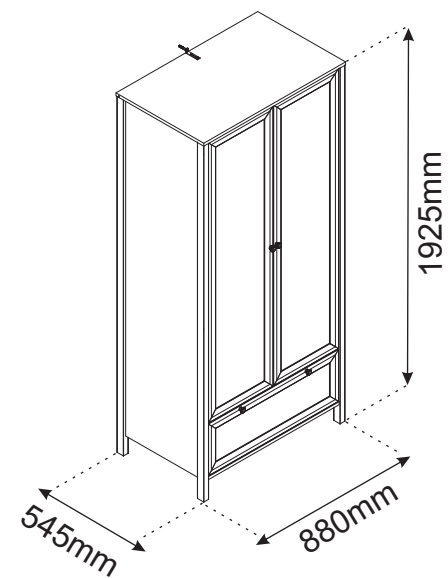
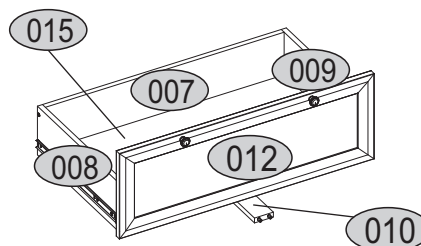
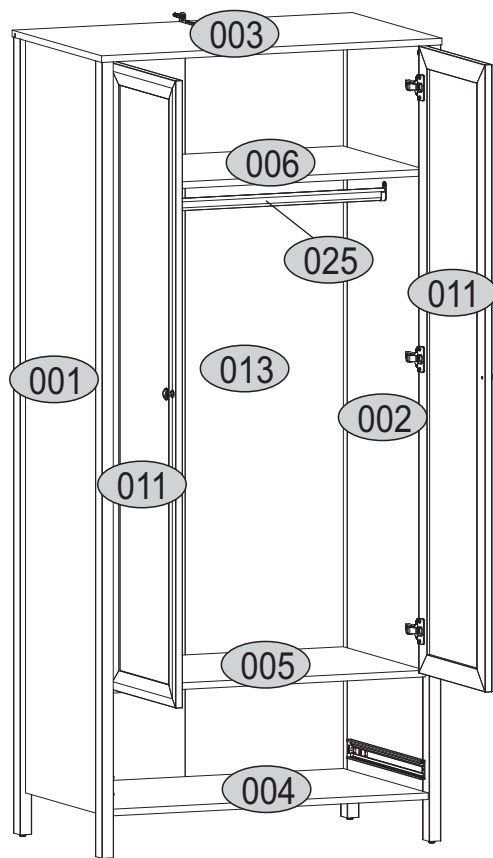
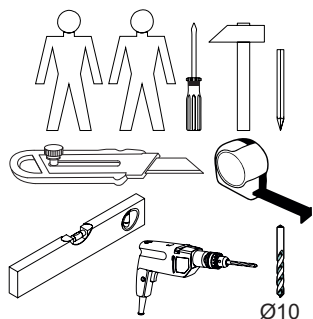
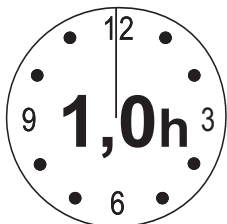


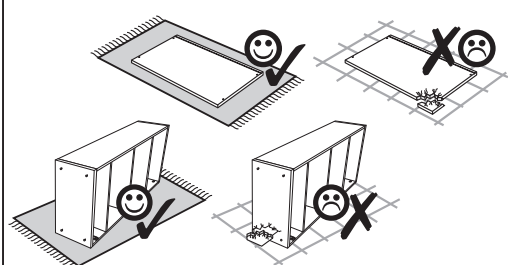
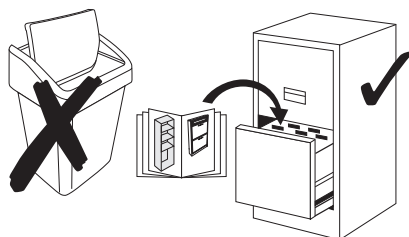


# Installation manual

## BRENT Szafa 2D1S

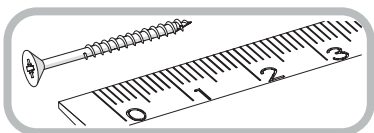


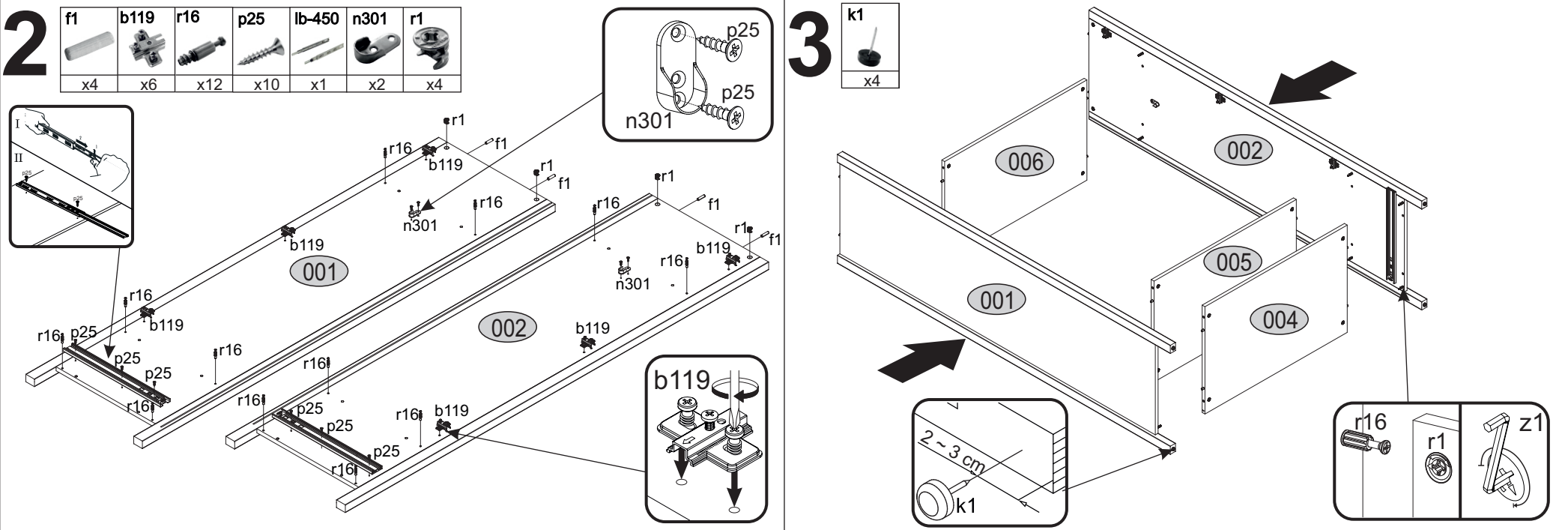
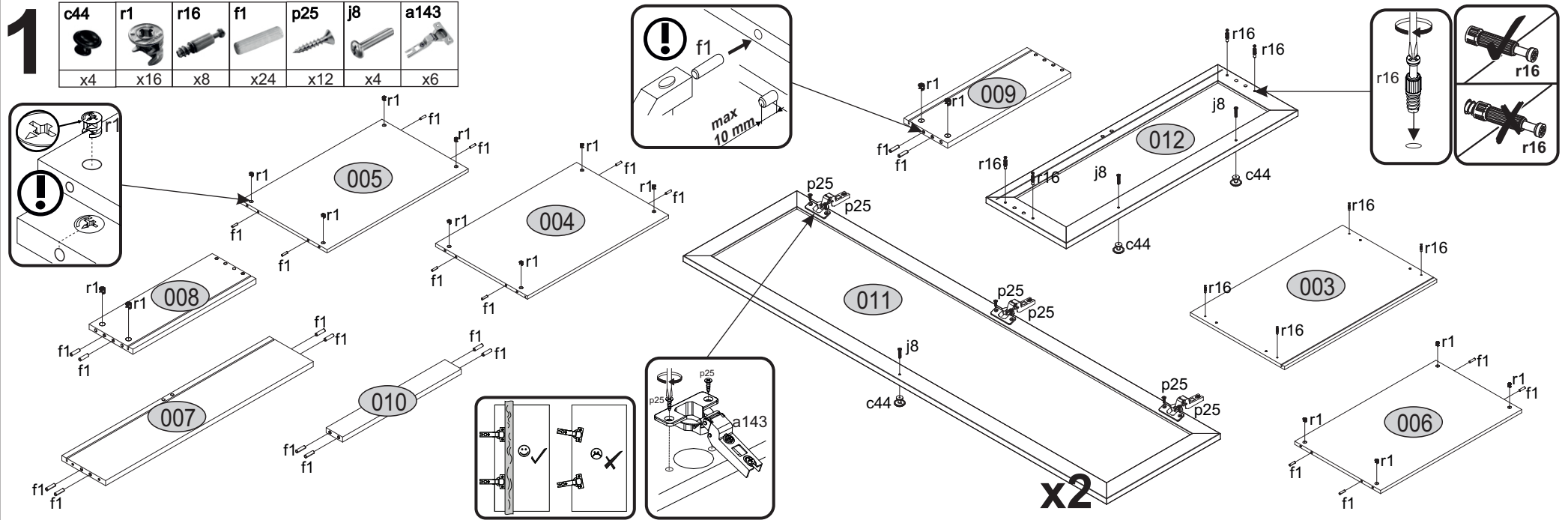
Code	Dimensions				Package
001	1909	539	30	1	2/3
002	1909	539	30	1	2/3
003	880	545	16	1	1/3
004	816	531	16	1	1/3
005	816	499	16	1	1/3
006	816	496	16	1	1/3
007	759	160	16	1	1/3
008	450	160	16	1	1/3
009	450	160	16	1	1/3
010	434	60	16	1	1/3
011	1504	404	18	2	3/3
012	810	280	18	1	3/3
013	1811	834	3	1	2/3
015	452	777	3	1	2/3
025	811			1	1/3
<b>Accessories</b>					1/3



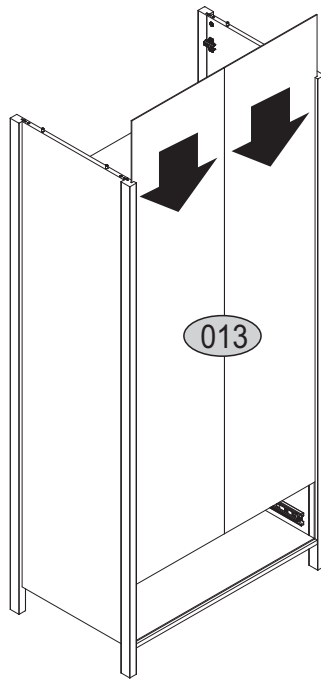
# Accessories:

<p>4x c44</p> 	<p>20x r1 15x12</p> 	<p>20x r16 Ø5x24</p> 	<p>28x f1 Ø8x30</p> 
<p>40x p25 Ø3.5x16</p> 	<p>4x j8</p> 	<p>6x a143</p> 	<p>6x b119</p> 
<p>1x lb-450</p> 	<p>2x n301</p> 	<p>1x n14</p> 	<p>1x p17 Ø6x50</p> 
<p>1x f3</p> 	<p>10x l2</p> 	<p>4x k1</p> 	<p>4x e1 Ø7x50</p> 
<p>6x m35</p> 	<p>16x s2</p> 	<p>1x z1</p> 	

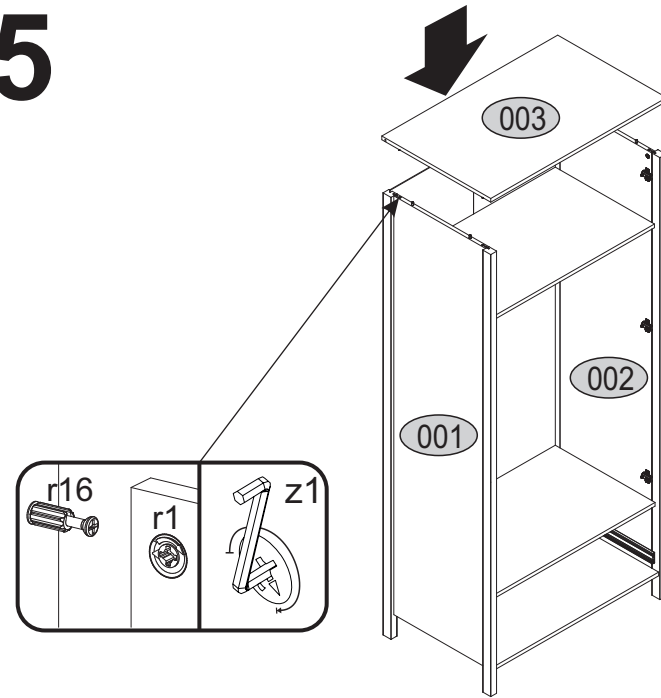




# 4

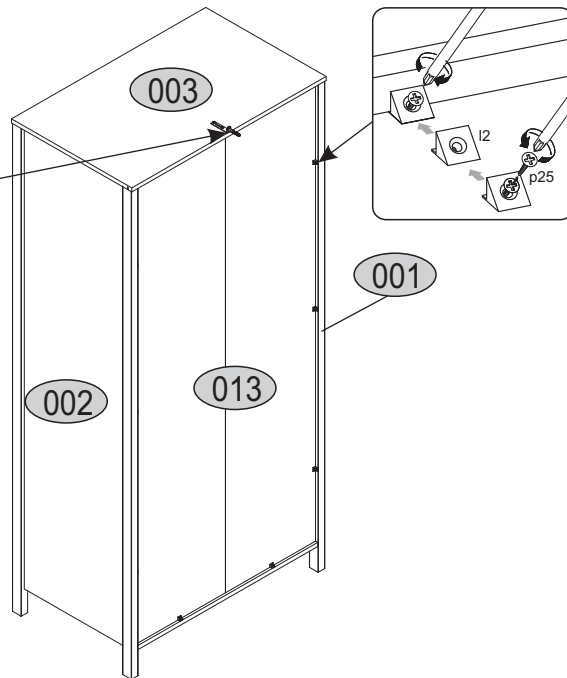
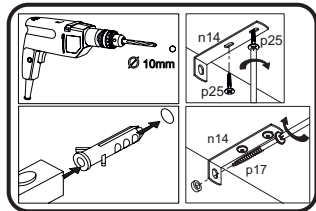


# 5

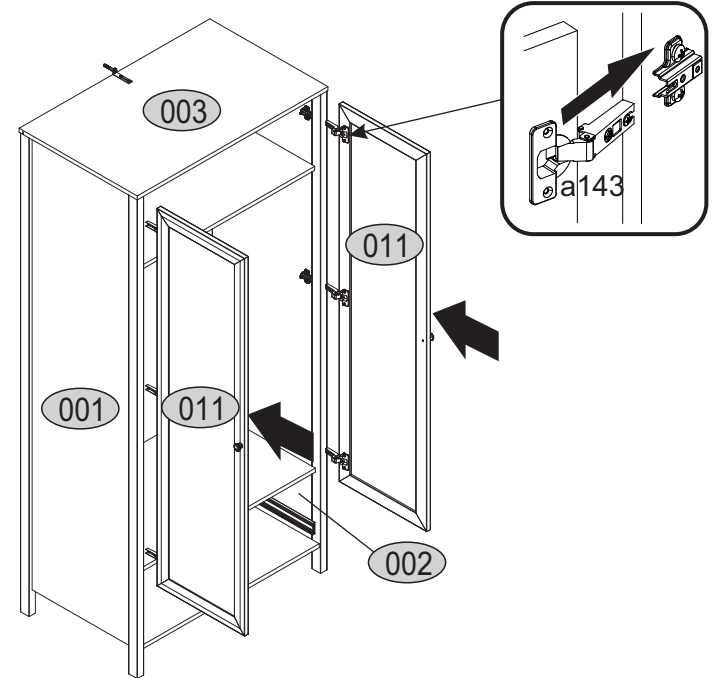
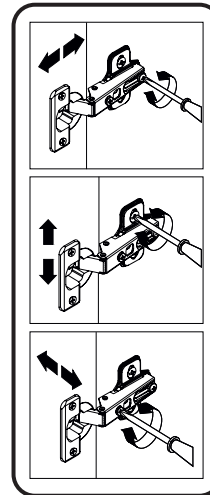


# 6

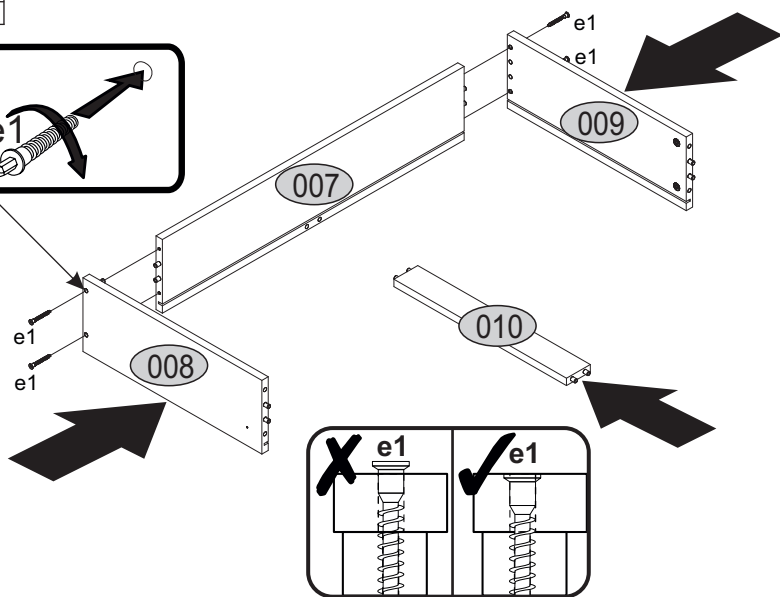
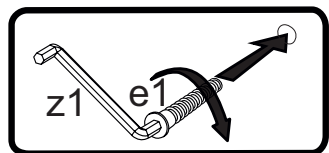
n14	p25	p17	f3	l2
x1	x12	x1	x1	x10



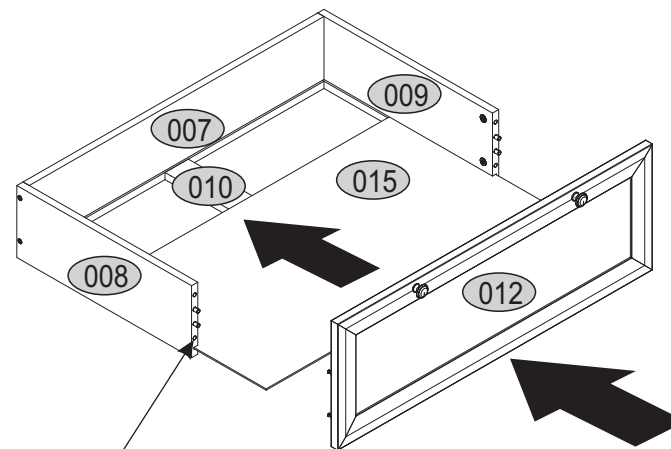
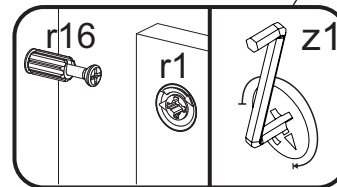
# 7



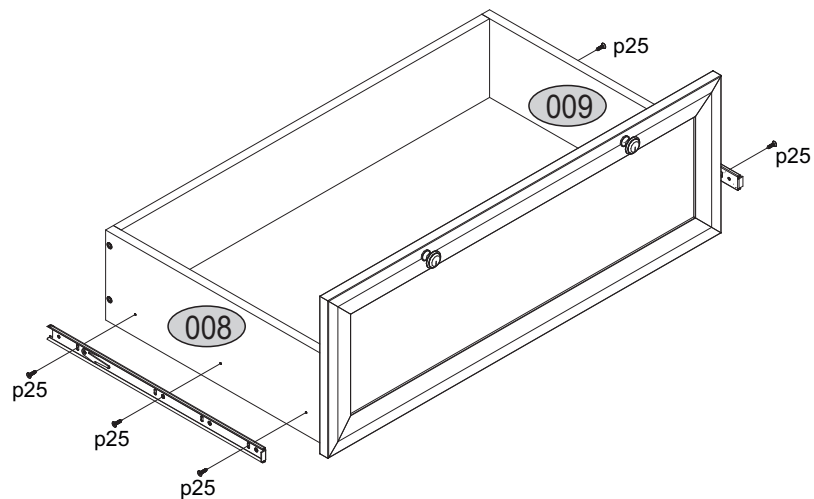
# 8



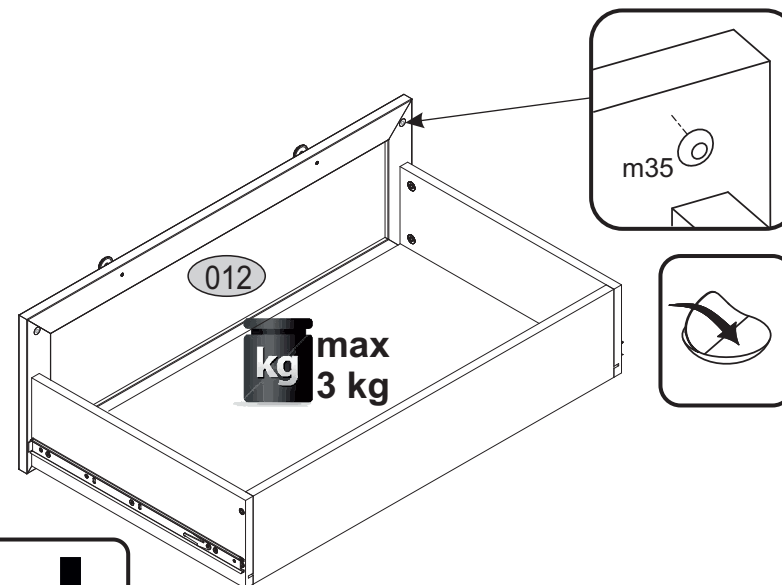
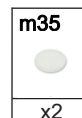
# 9





# 10



# 11



# 11

s2	m35
	
x16	x4

