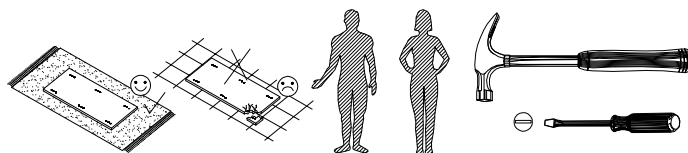
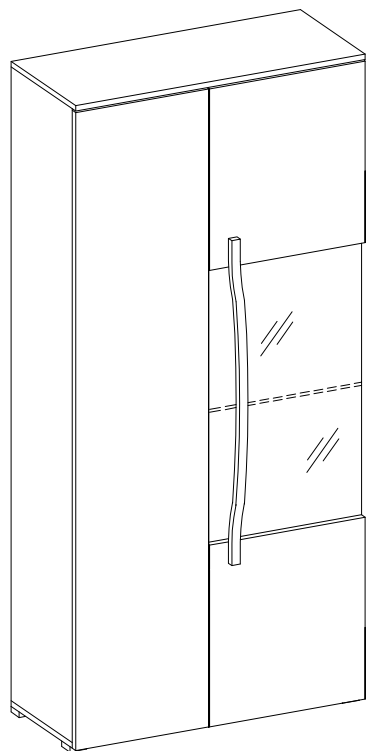
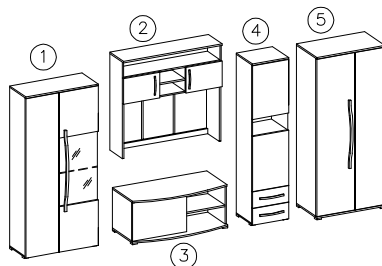


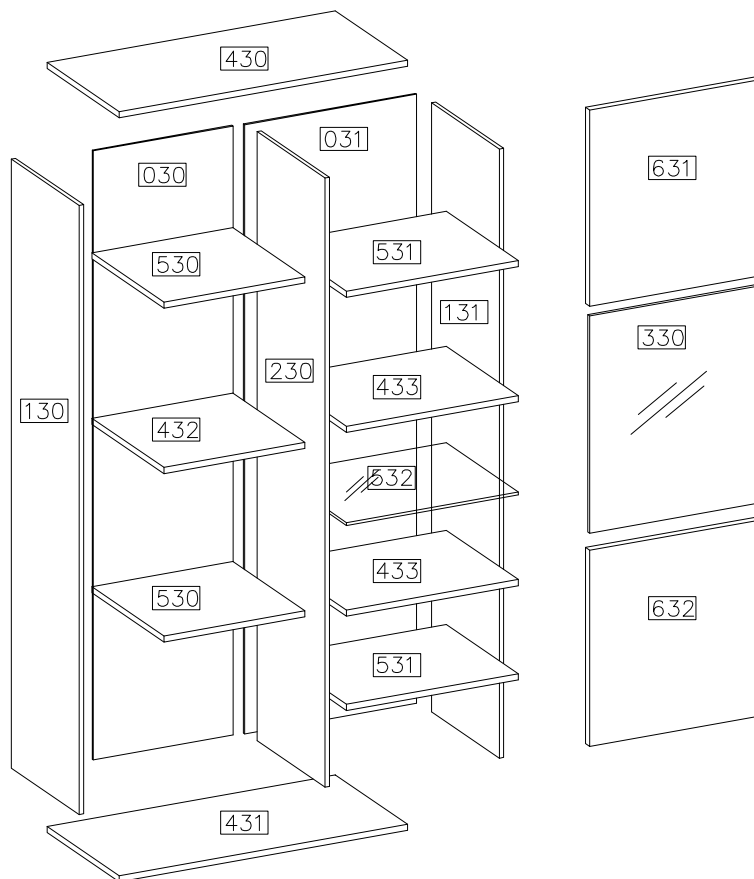
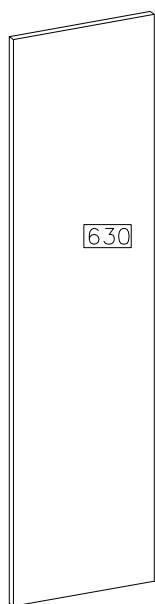
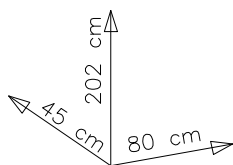
# VERDI / LAURA WITRYNA



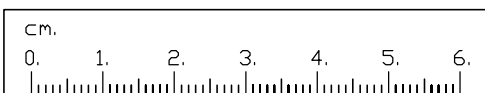
1



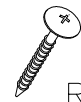
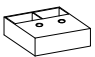
#	ART. NR	QUANTITY
1	430	1
2	431	1
3	432	1
4	433	2
5	130	1
6	131	1
7	230	1
8	530	2
9	531	2
10	532	1
11	630	1
12	631	1
13	632	1
14	330	1
15	030	1
16	031	1

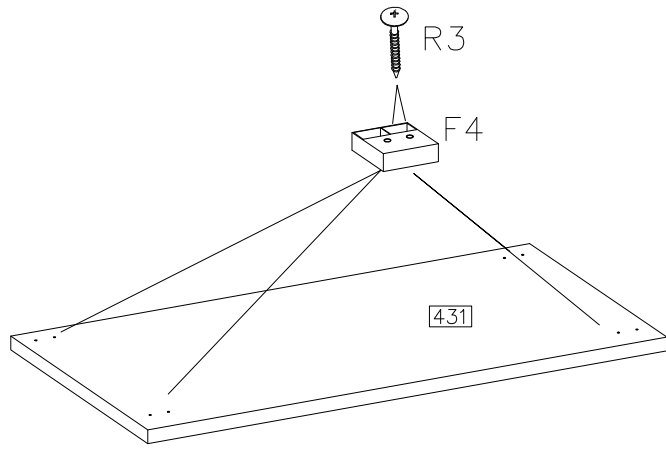


D1	$\varnothing 15/12\text{mm}$ C	$\varnothing 8 \times 30\text{mm}$ A	E	$4.0 \times 35\text{mm}$ R3	F4	F10	S1	$4.0 \times 27\text{mm}$ R2
24	24	24	24	8	4	60	1	2
$\varnothing 4.0 \times 16\text{mm}$ P1	$\varnothing 35/\text{KR}-0$ G6	H=0 H4	F8	J4	$4.0 \times 20\text{mm}$ P8	J8		
14	7	7	10	20	6	6		




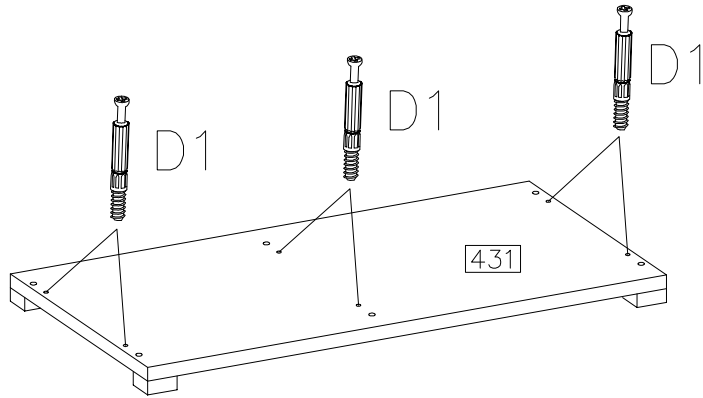
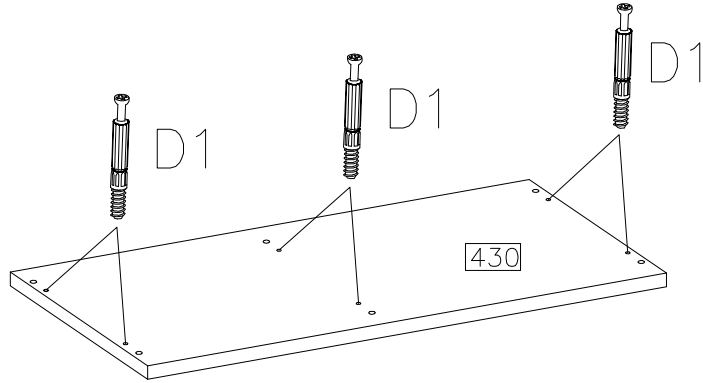
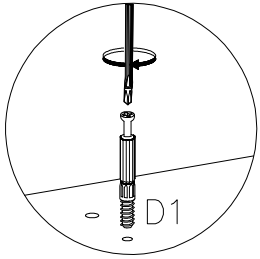
1

4.0x35mm		
	R3	F4
8		4


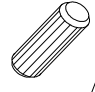


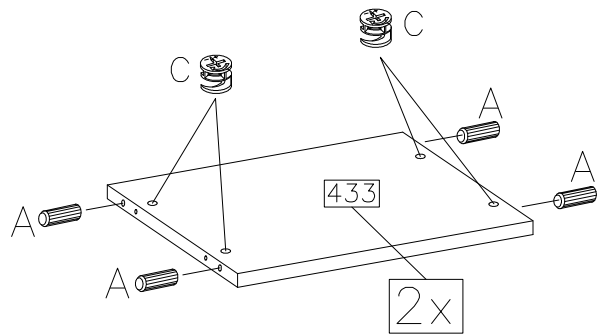
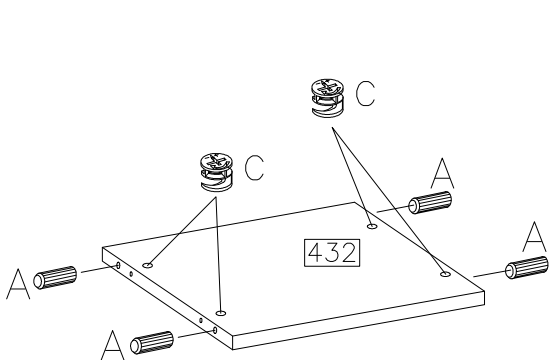
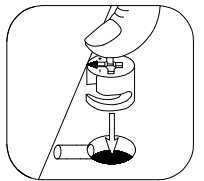
2


D1
12

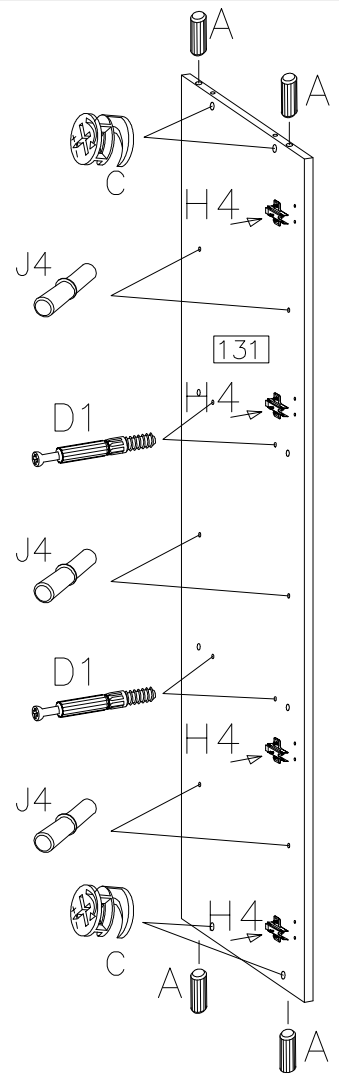
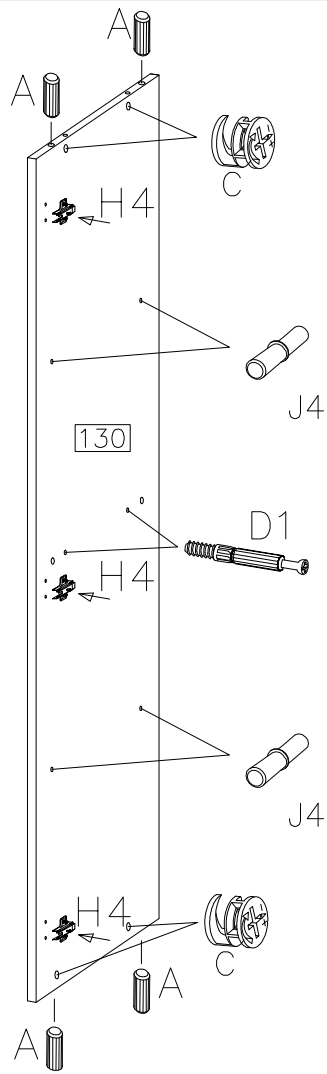
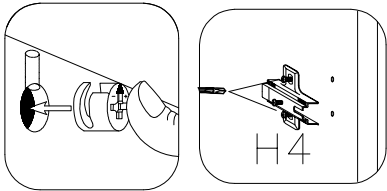
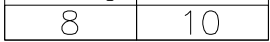
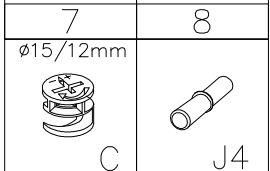
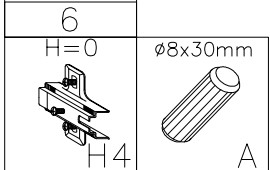
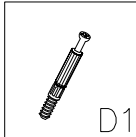


3

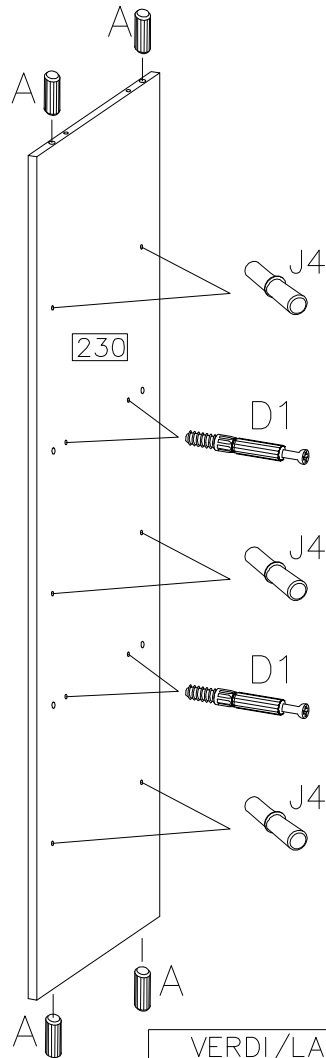
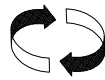
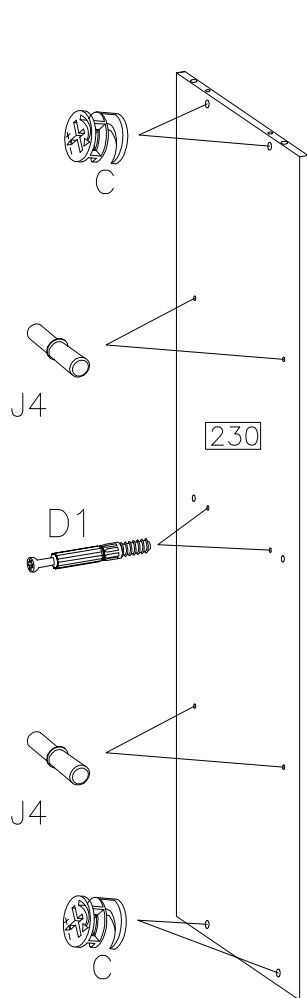
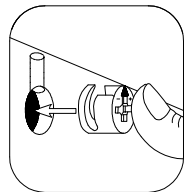
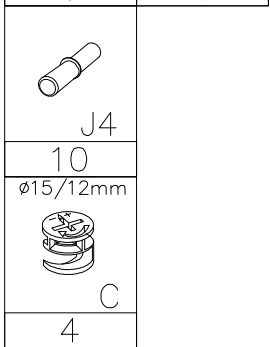
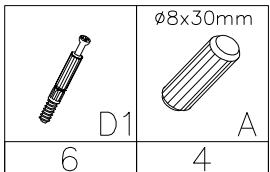
$\varnothing 15/12\text{mm}$	$\varnothing 8 \times 30\text{mm}$
	
C	A
12	12



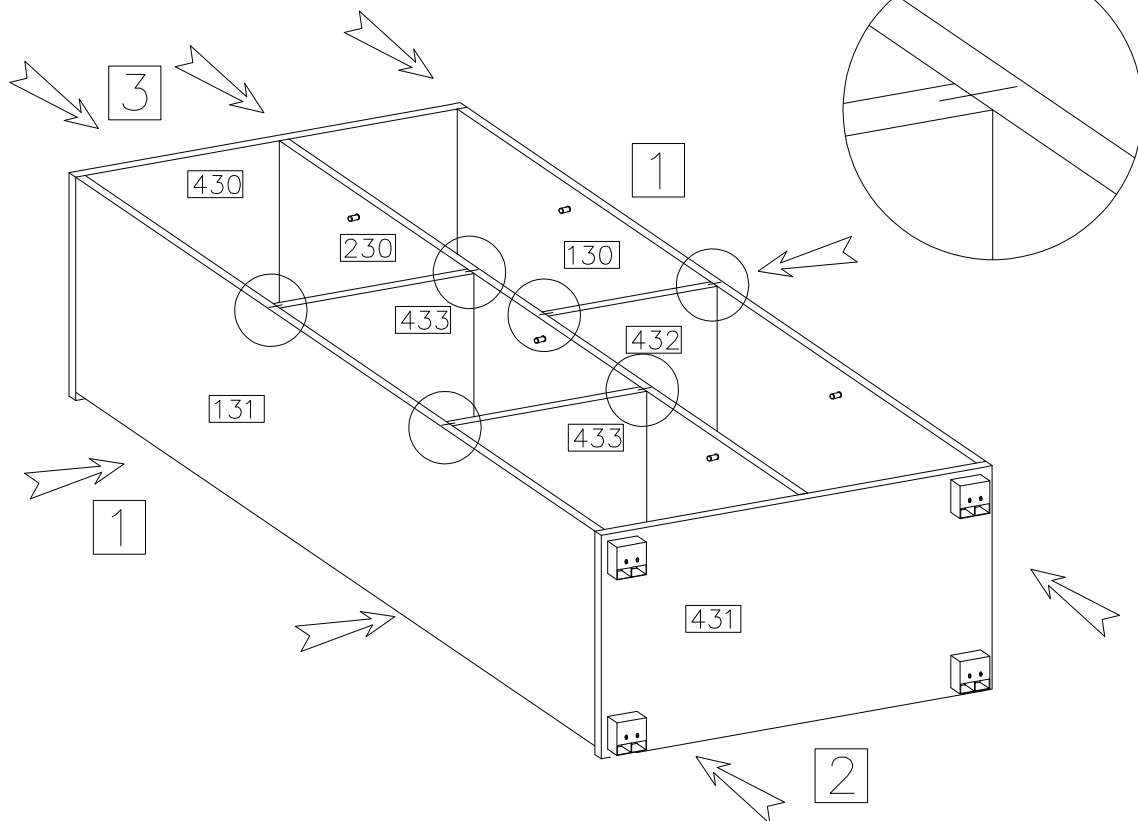
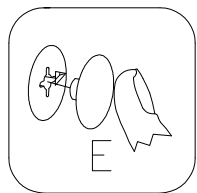
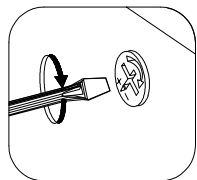
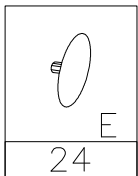
4



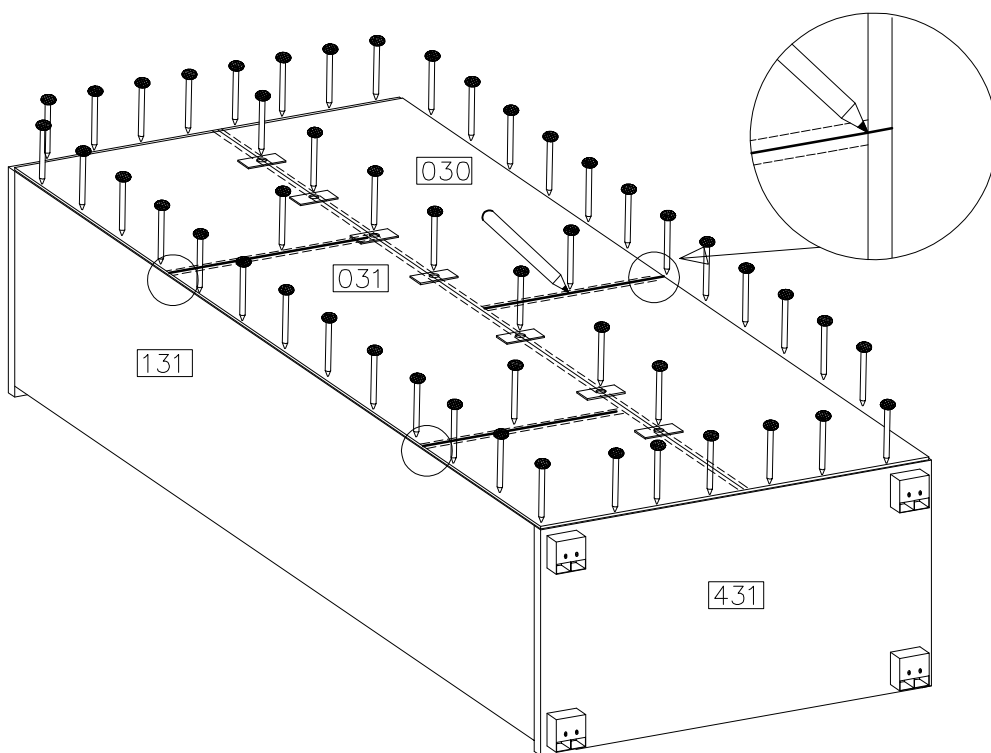
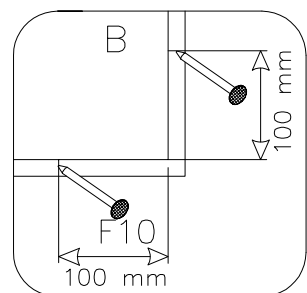
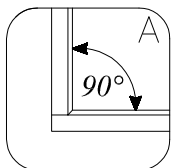
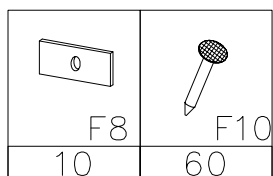
5



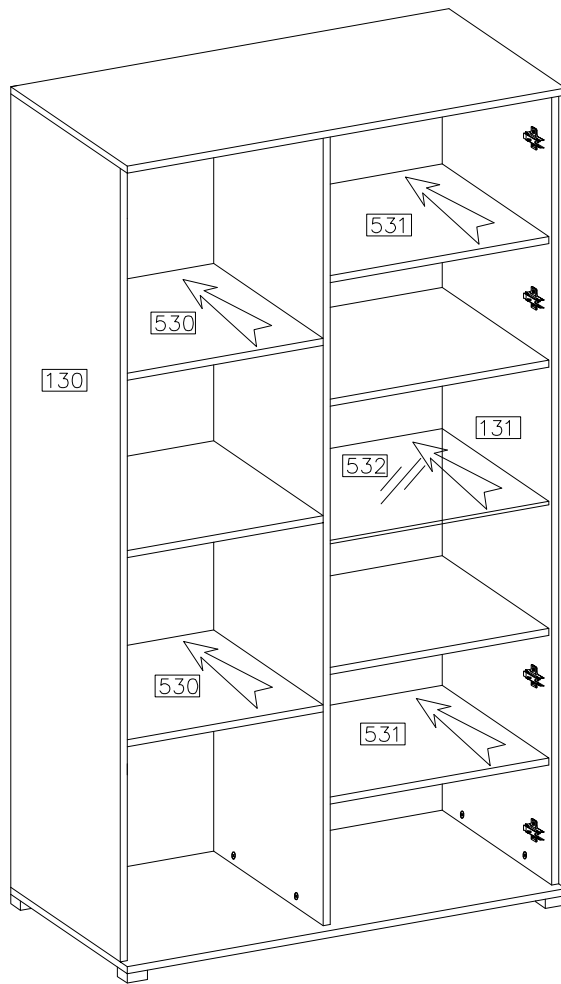
6



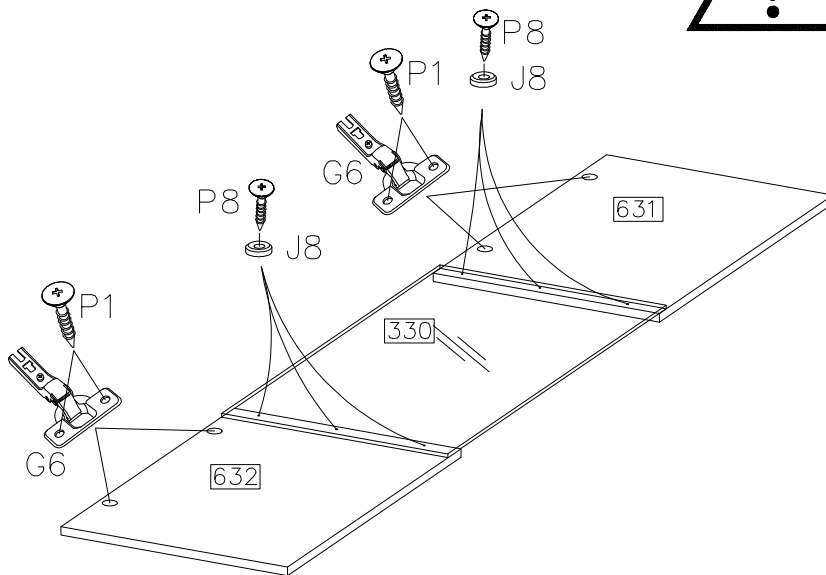
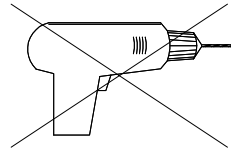
7



8



9



J8

6

4.0x20mm



P8

6

ø4.0x16mm



P1

8





ø35/KR-0



G6

4

10

 G6 3	 P1 6	 S1 1	 R2 2
---	---	---	---

