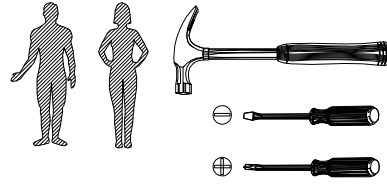
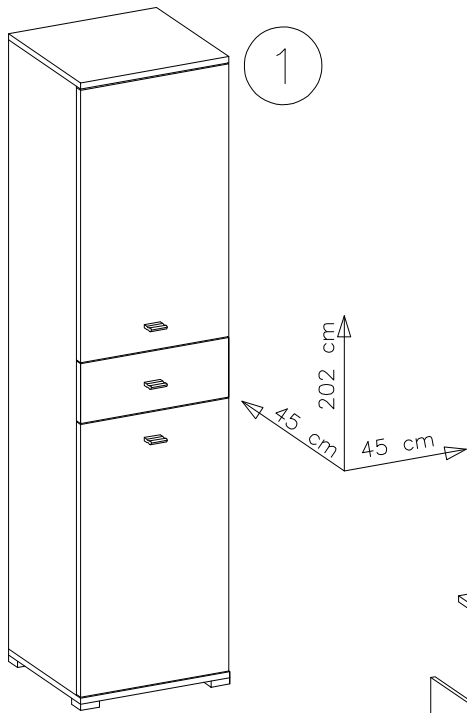
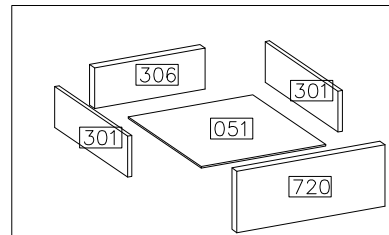
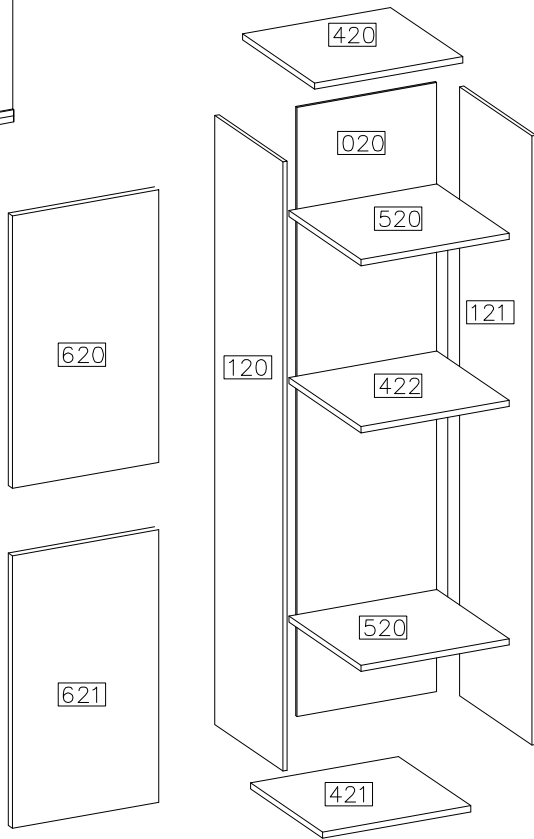
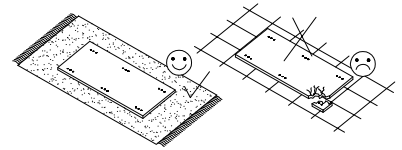
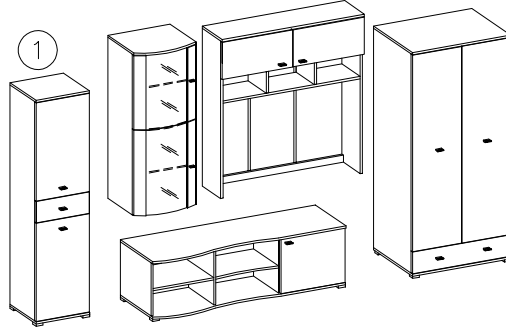


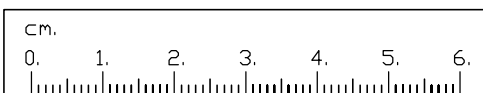
# GRENADA PÓLSZAFKA



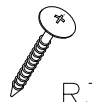
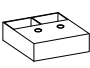
#	ART. NR	QUANTITY
1	420	1
2	421	1
3	422	1
4	120	1
5	121	1
6	020	1
7	620	1
8	621	1
9	720	1
10	301	2
11	306	1
12	051	1
13	520	2

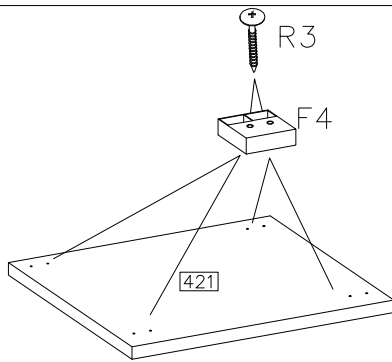


D1	$\varnothing 15/12\text{mm}$	$\varnothing 8 \times 30\text{mm}$		$4.0 \times 35\text{mm}$				$4.0 \times 27\text{mm}$
12	12	20	12	8	4	60	3	6
P1	$\varnothing 35/\text{KR}-0$	H=0	$3.5 \times 13\text{mm}$	L-350				
12	4	4	4	1KPL	1	8		



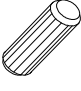


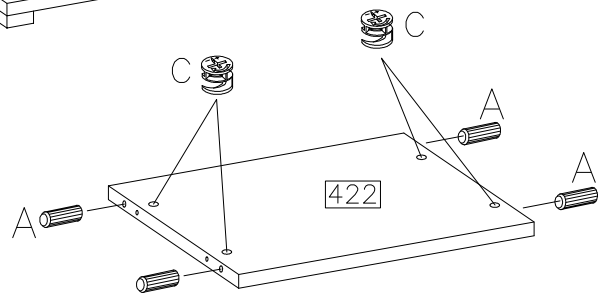
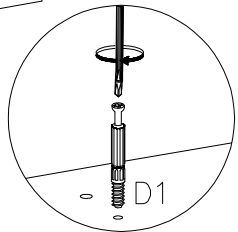
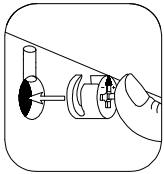
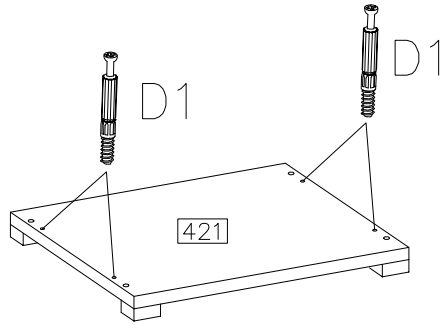
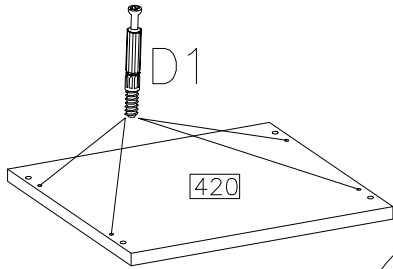
1

4.0x35mm		
	R3	F4
8		4



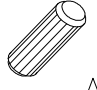


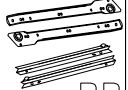



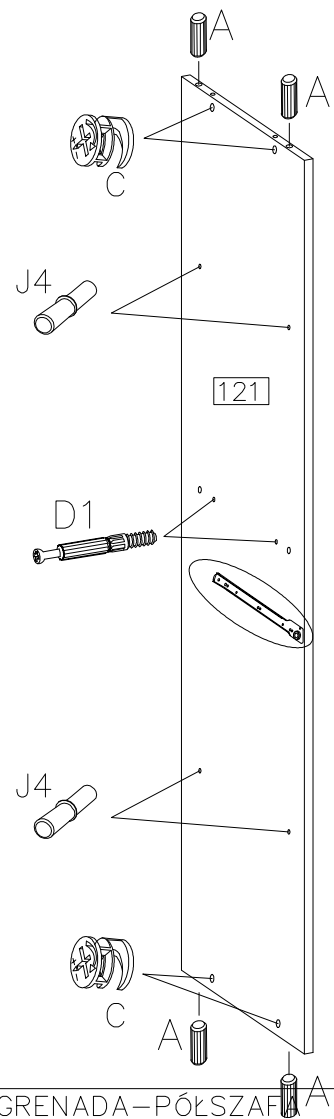
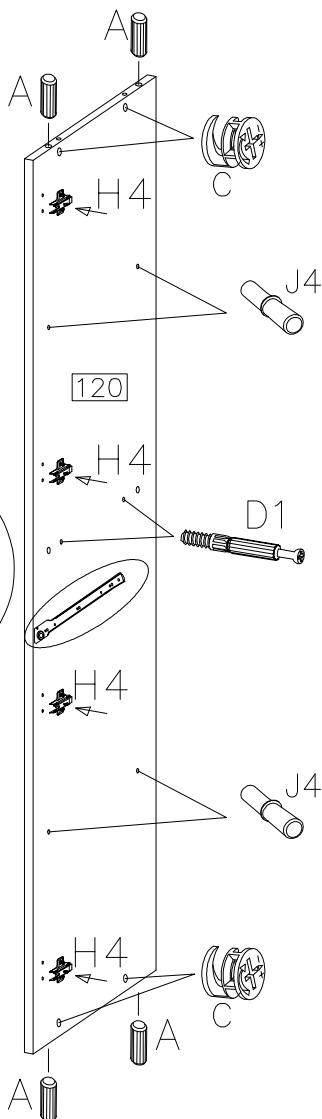
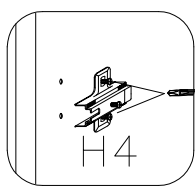
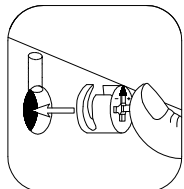
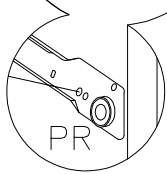
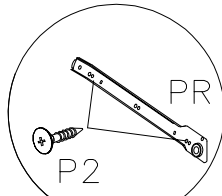
2

	ø15/12mm	ø8x30mm
D1		
8	4	4

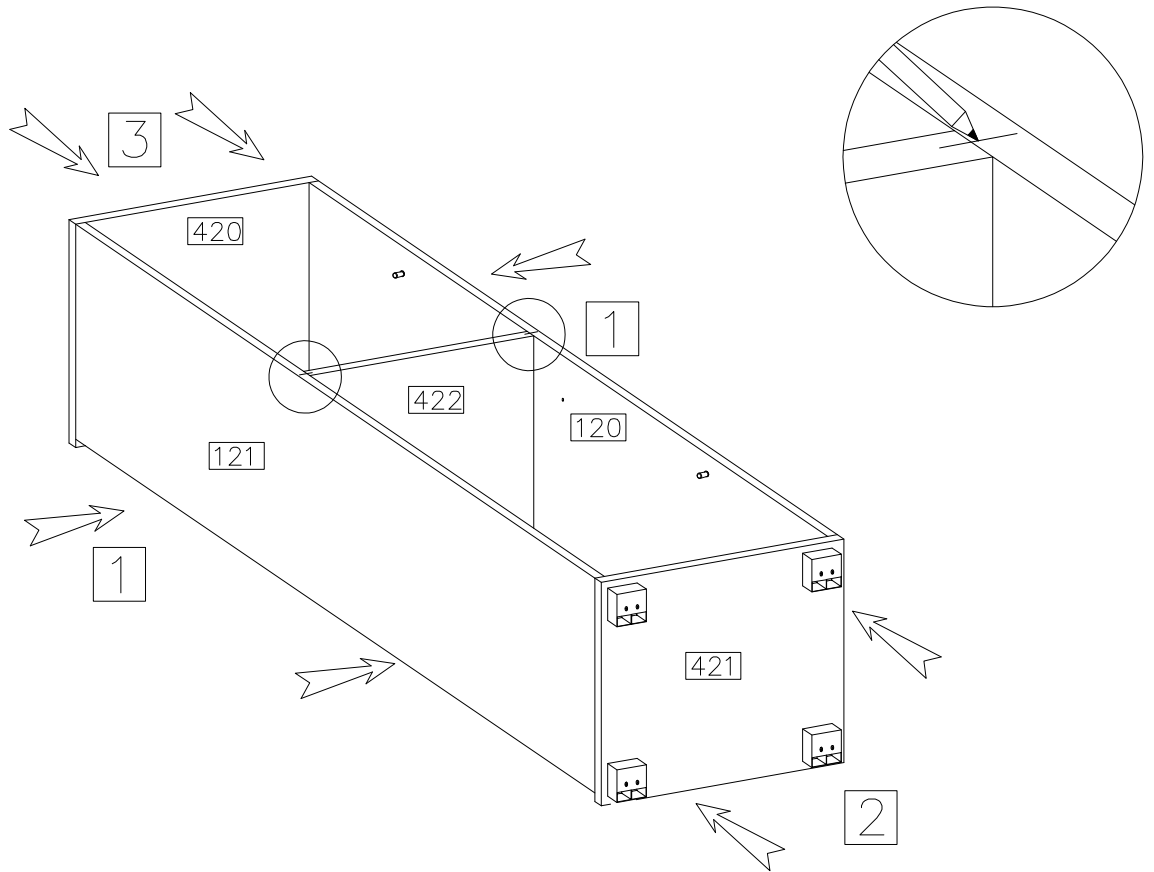
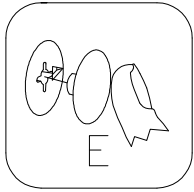
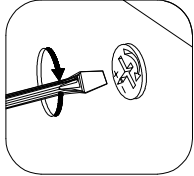
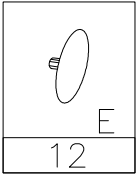


3

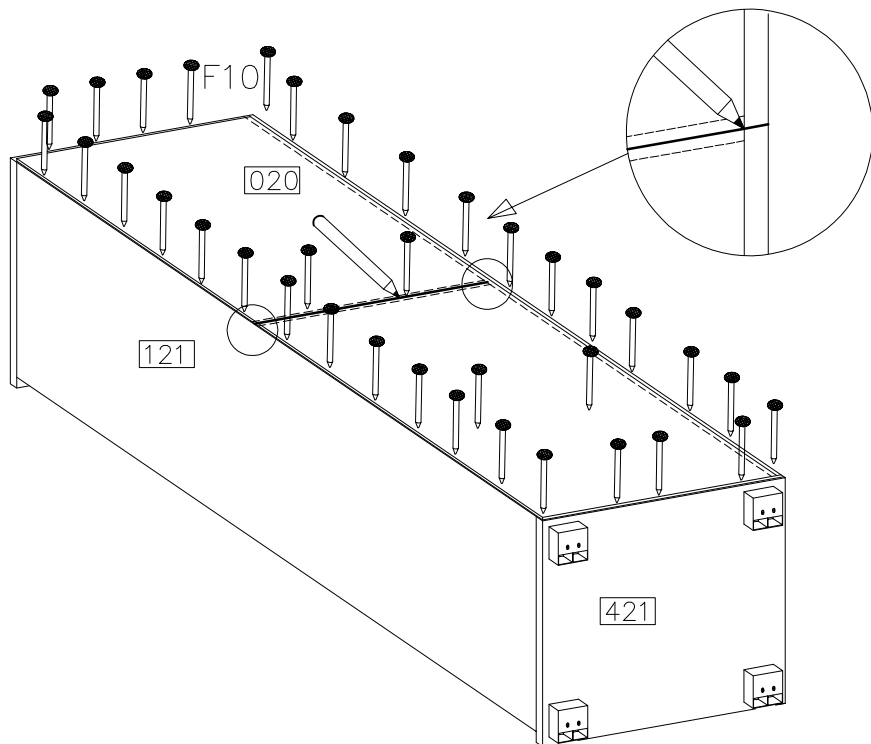
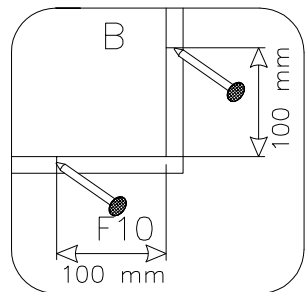
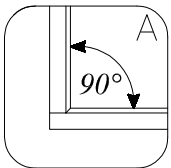
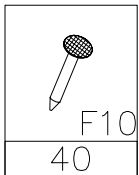
	ø8x30mm	
D1		J4
4	8	8
ø15/12mm	H=0	
		
C	H4	
8	4	
L-350	3.5x13mm	
		
PR	P2	
1KPL	4	




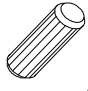
4

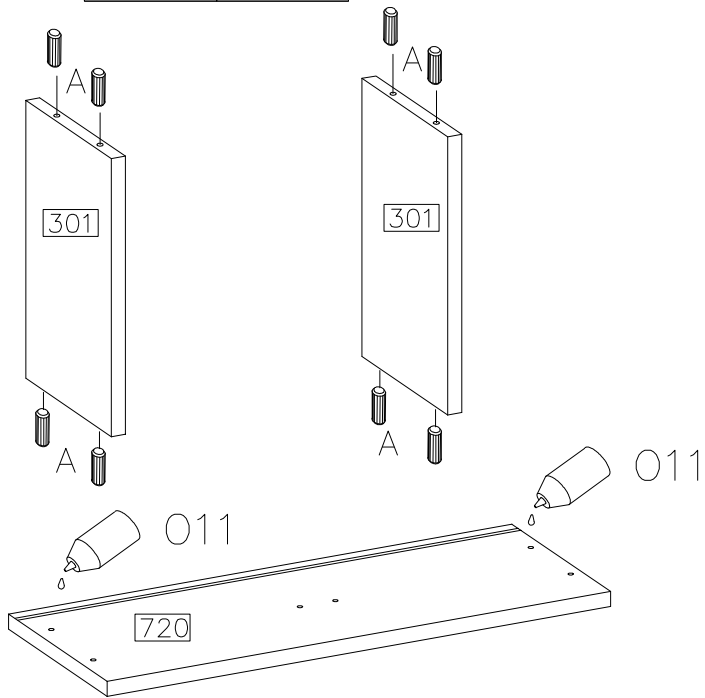


5





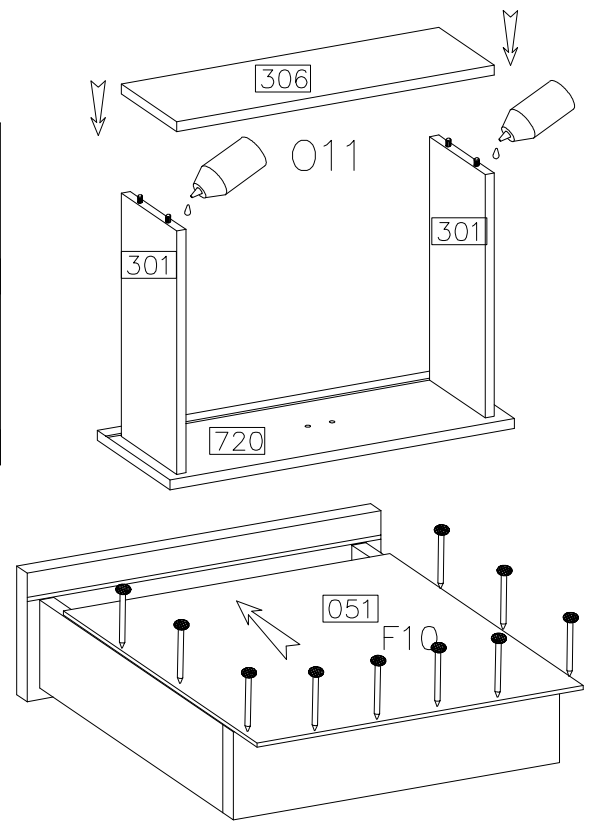
6

	ø8x30mm 
O11	A
	8

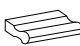



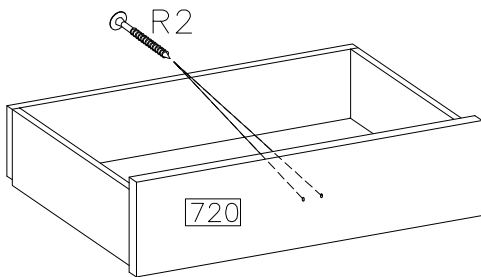
7

	F10
20	
	O11





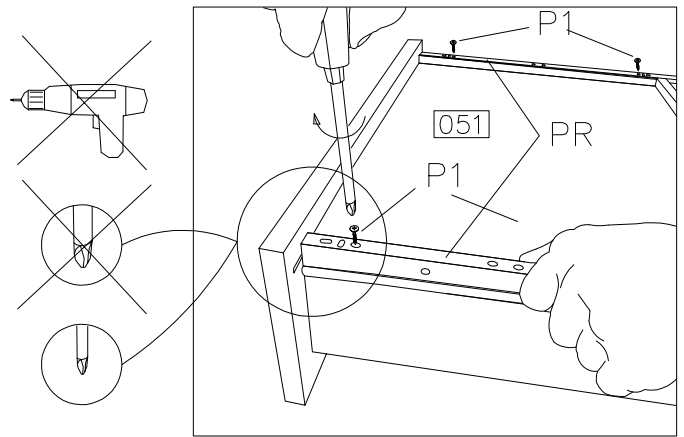
8

	4.0x27mm 
S1	R2
1	2


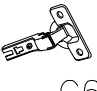




9

L-350 	ø4.0x16mm 
PR	P1
1KPL	4



10

4.0x27mm 	ø35/KR-0 
R2	G6
4	4
	ø4.0x16mm 
S1	P1
2	8

