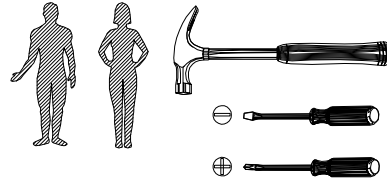
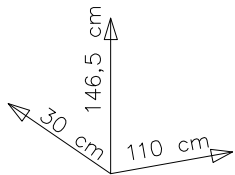
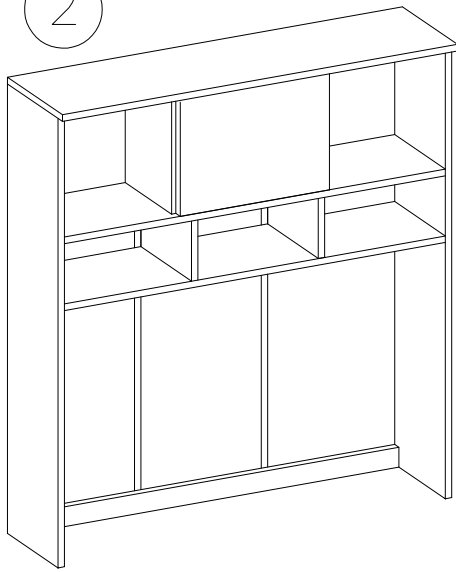
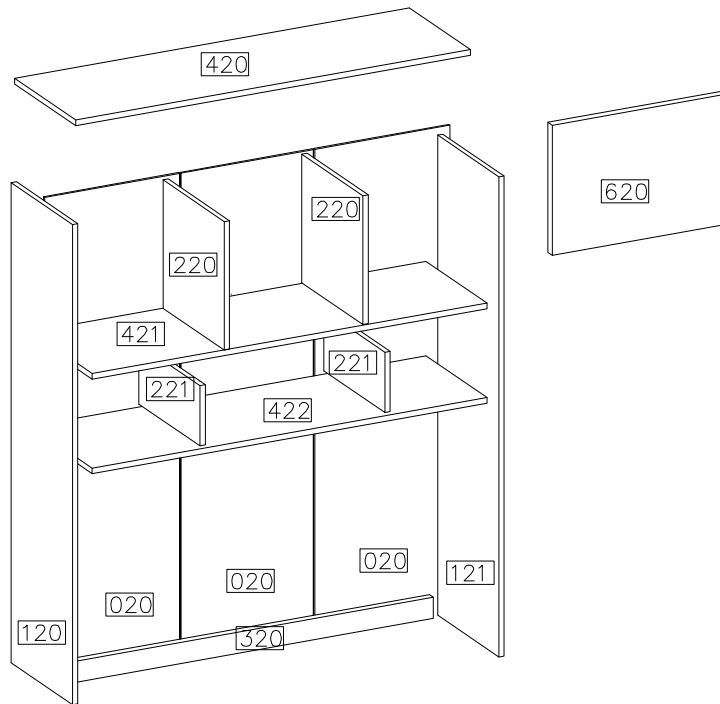
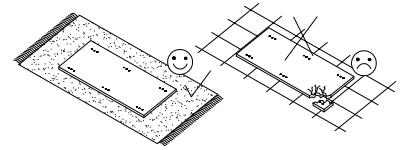




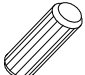




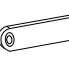
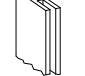




VIVA NADSTAWKA RTV

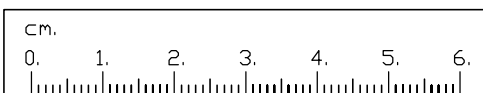
2





#	ART. NR	QUANTITY
1	420	1
2	421	1
3	422	1
4	120	1
5	121	1
6	220	2
7	221	2
8	620	1
9	020	3
10	320	1

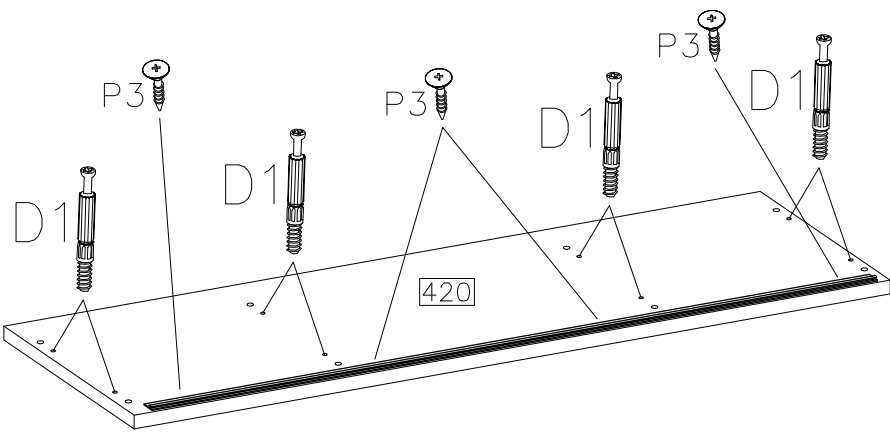
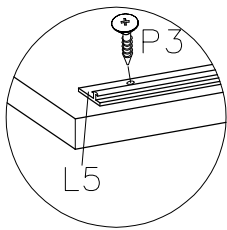
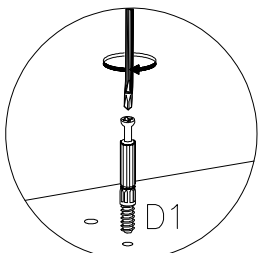


 D1	 C	 A	 E	 F10	 J4	
26	26	34	26	50	2	
 P1	 B2	 Z1	 P3	 L5	 K5	 K6
24	2	2	8	2	2	2


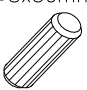



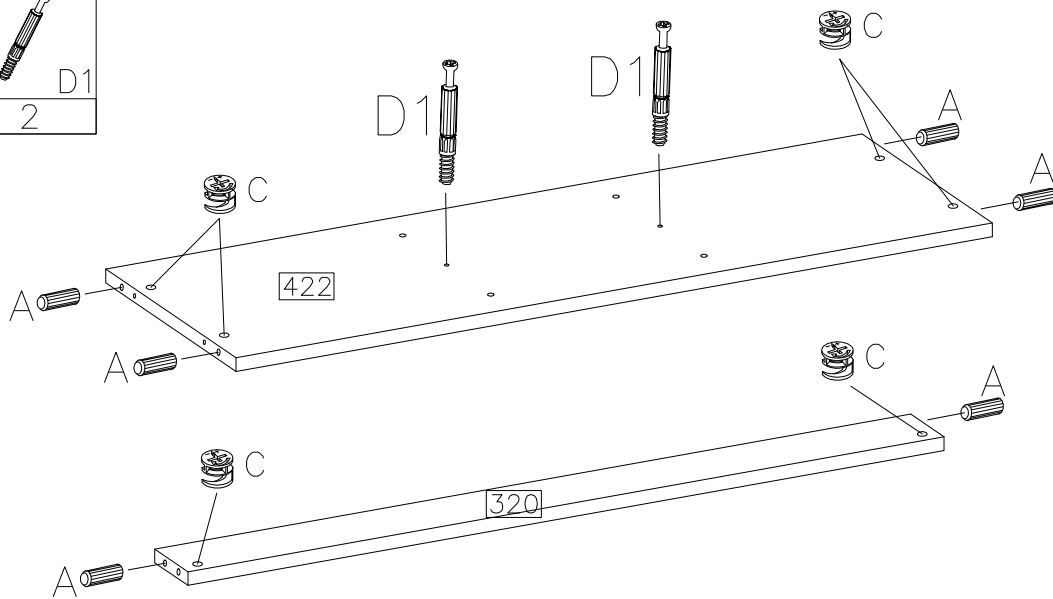
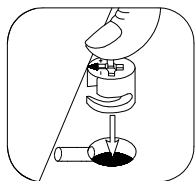
1

	3.0x13mm	
D1		P3
8	4	1



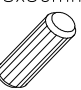


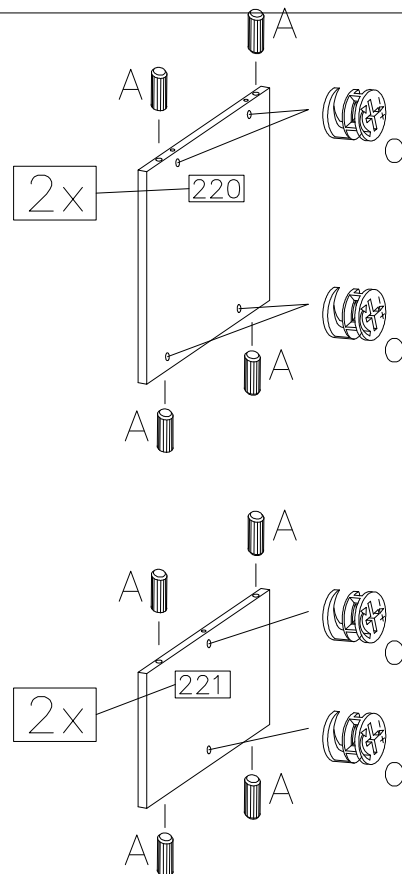
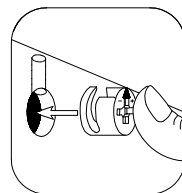
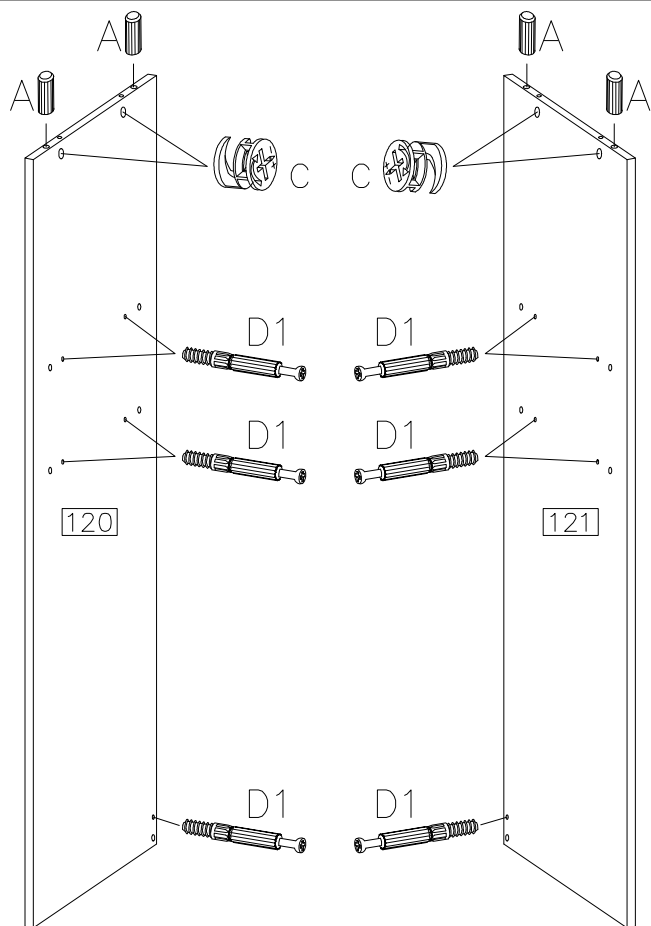
2

		
∅15/12mm	∅8x30mm	D1
6	6	2



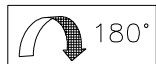
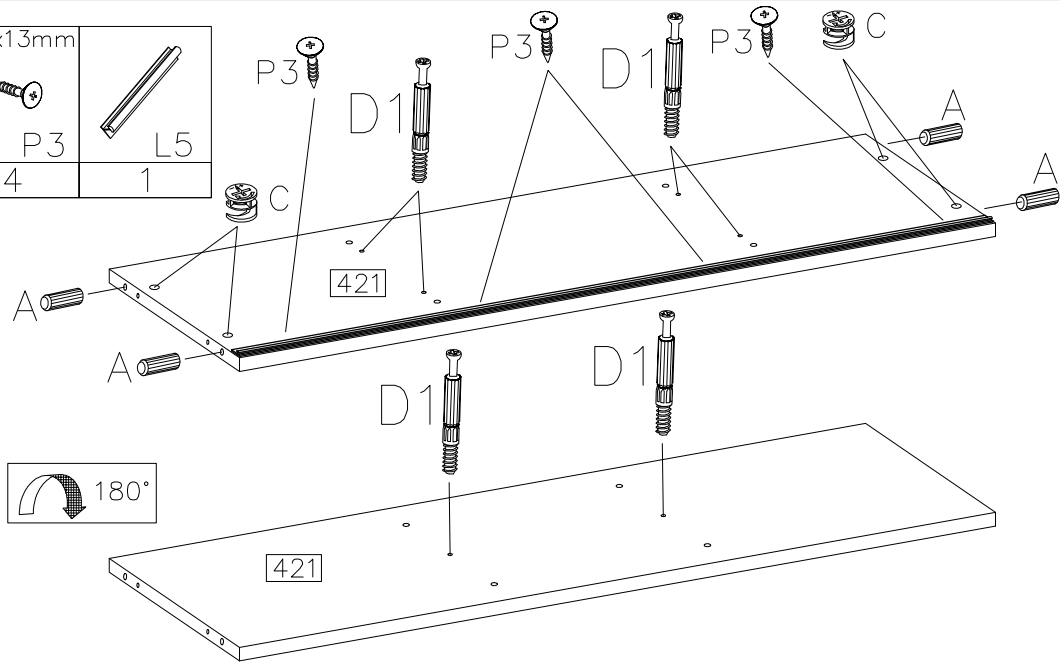
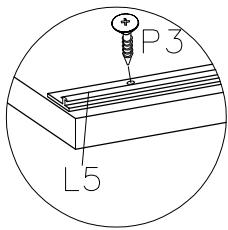
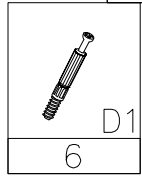
3

	∅15/12mm
C	
16	
	
D1	
10	
	∅8x30mm
A	
20	



4

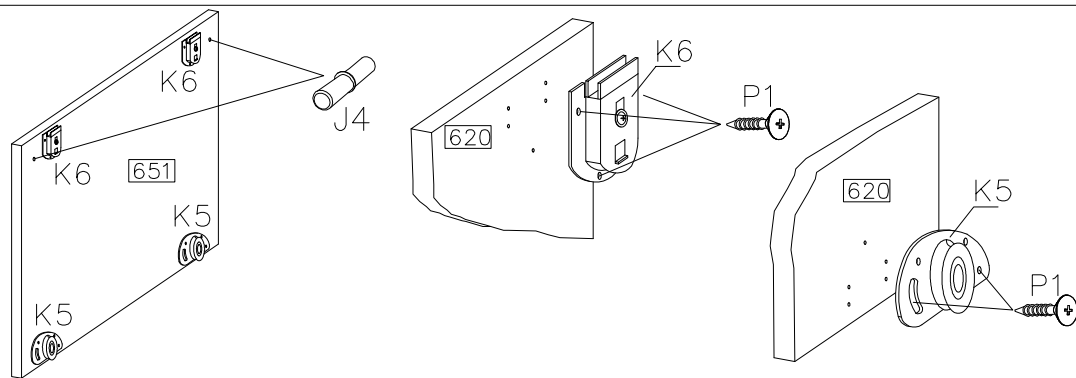
$\varnothing 15/12\text{mm}$ C	$\varnothing 8 \times 30\text{mm}$ A	$3.0 \times 13\text{mm}$ P3	L5
4	4	4	1



5

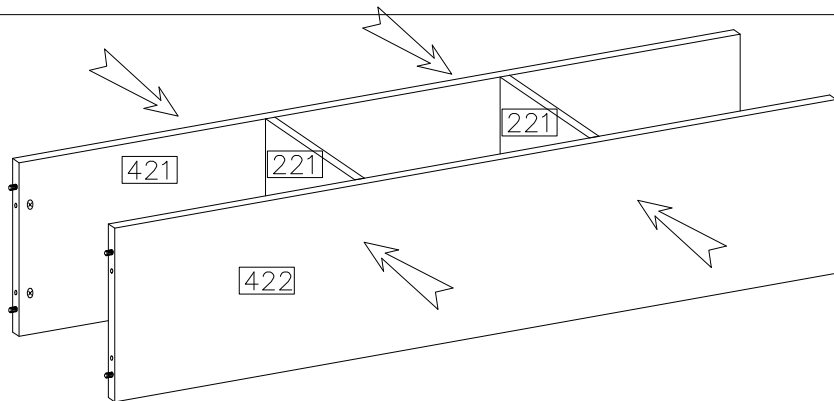
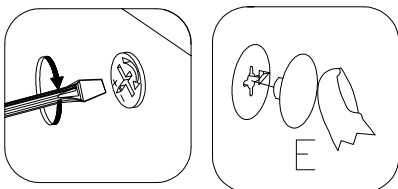
K5	K6
2	2

$\varnothing 4.0 \times 16\text{mm}$ P1	J4
10	2



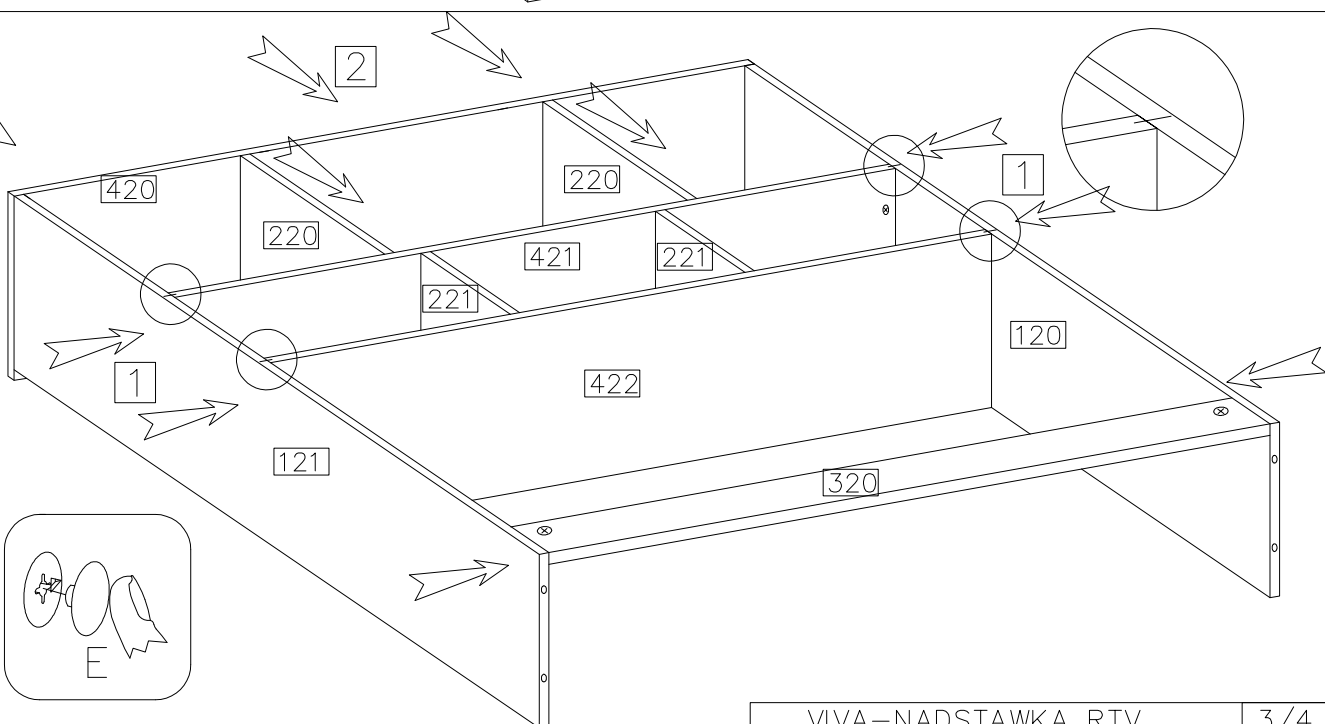
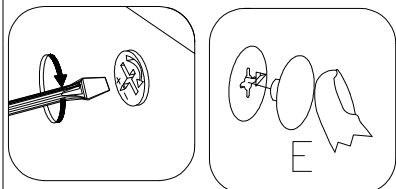
6

E
4



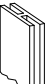


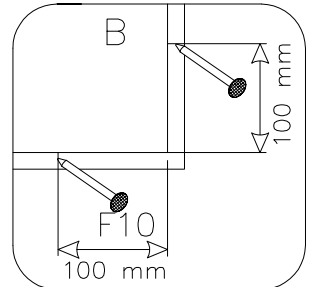
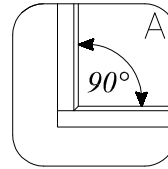
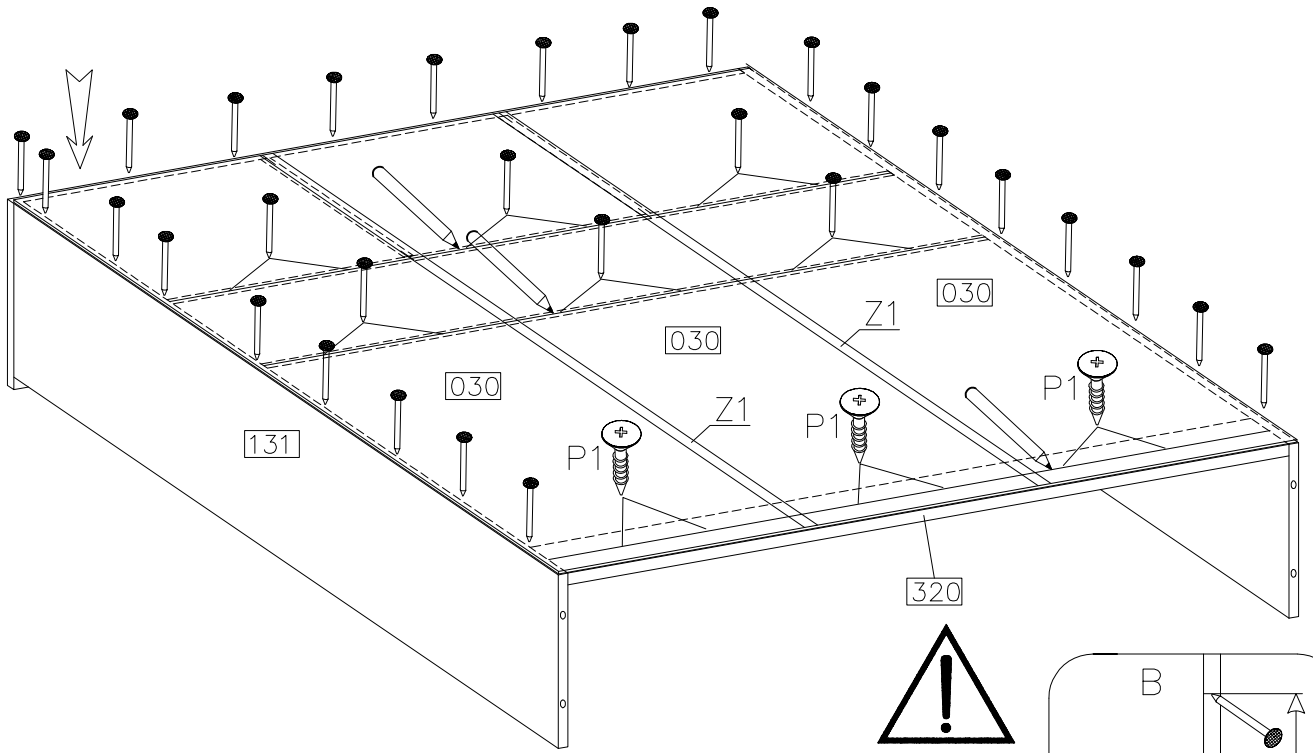
7

E
20

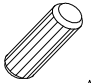

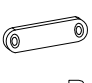


8

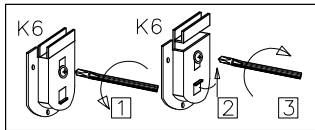
-  F10
- 50
ø4.0x16mm
-  P1
- 6
-  Z1
- 2



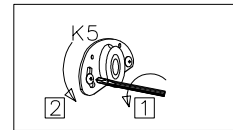
9

- | | | |
|--|--|---|
|  ø8x30mm
A |  4.0x16mm
P1 | 
B2 |
| 4 | 4 | 2 |

STEP 1
KROK 1



STEP 2
KROK 2



STEP 3
KROK 3

