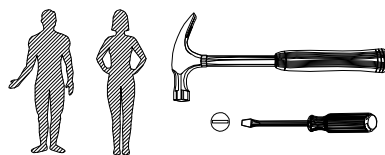
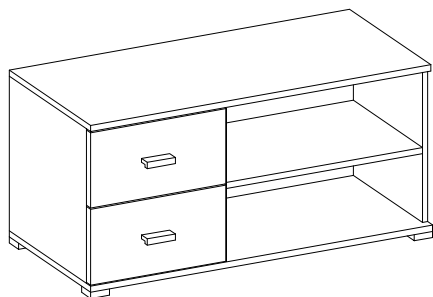
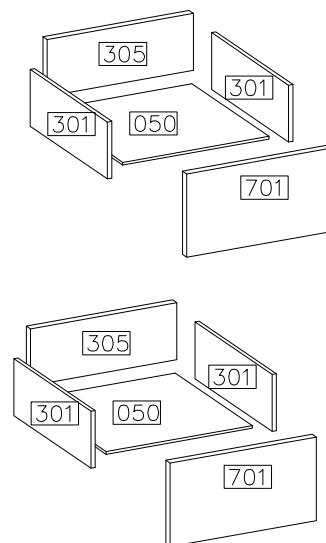
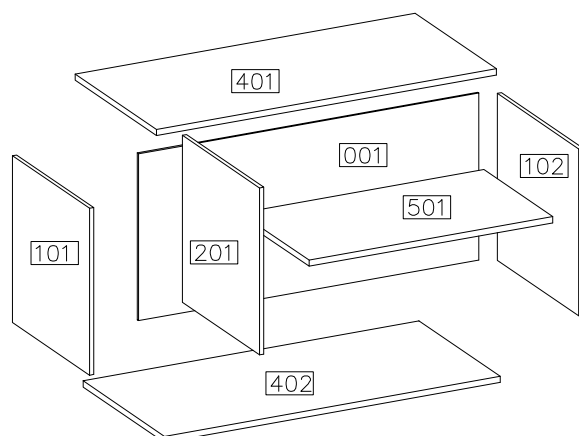
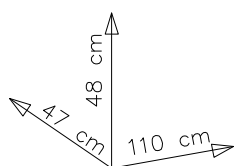
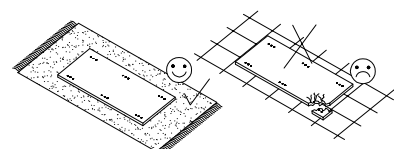
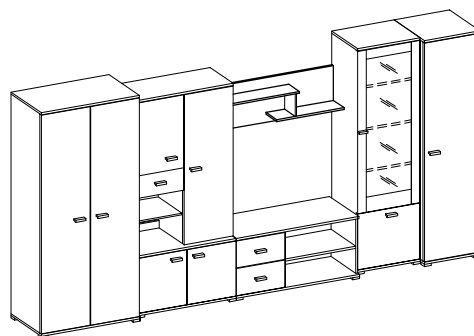


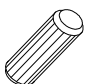




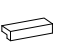








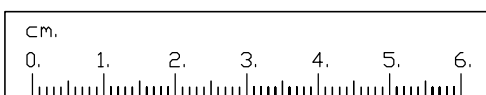
ARS SPÓD RTV




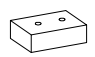
#	ART. NR	QUANTITY
1	401	1
2	402	1
3	101	1
4	102	1
5	201	1
6	501	1
7	701	2
8	301	4
9	305	2
10	050	2

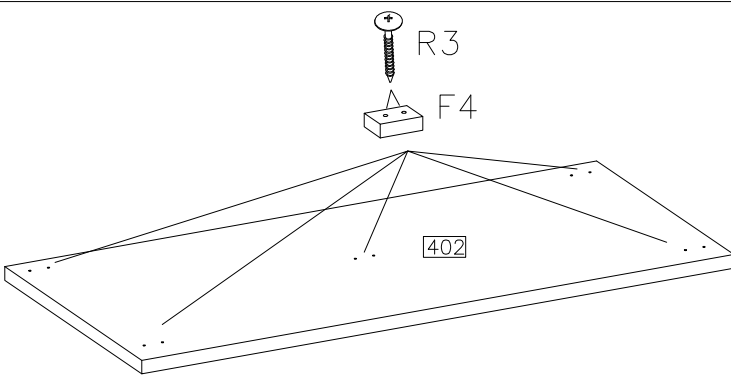


 D1	 C	 A	 E	 R3	 F4	 F10	 S1	 R2	 O11
12	12	28	12	10	5	45	2	4	1
 P1	 P2	 J4	 PR						
8	8	4	2KPL						




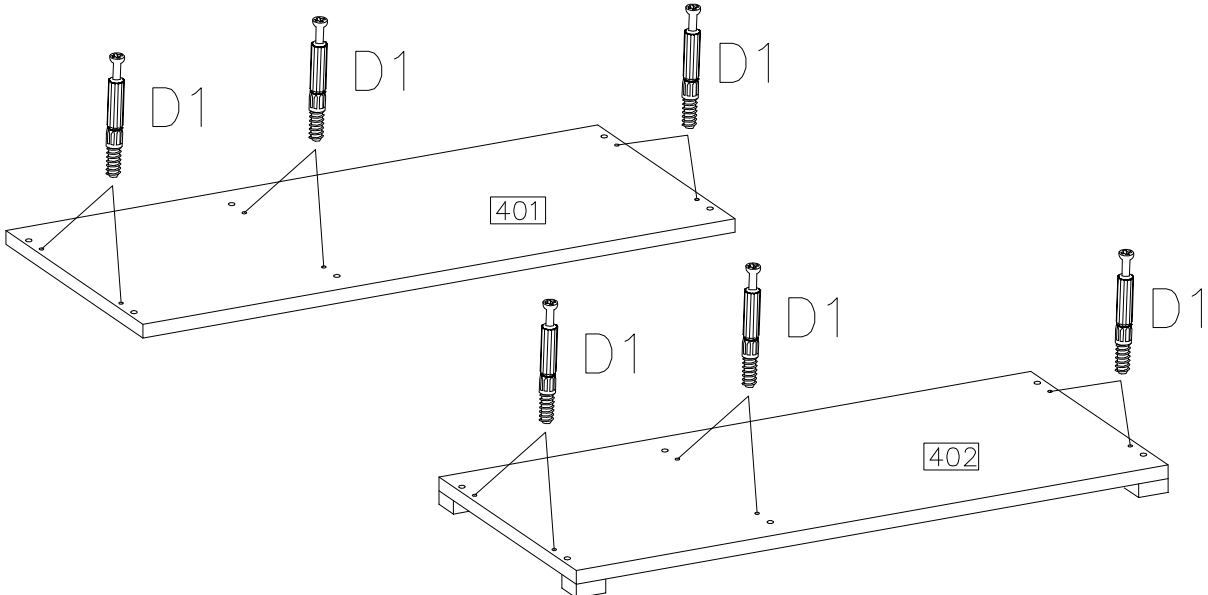
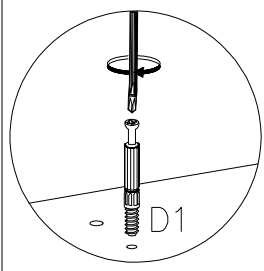
1

4.0x35mm		
	R3	F4
	10	5

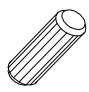




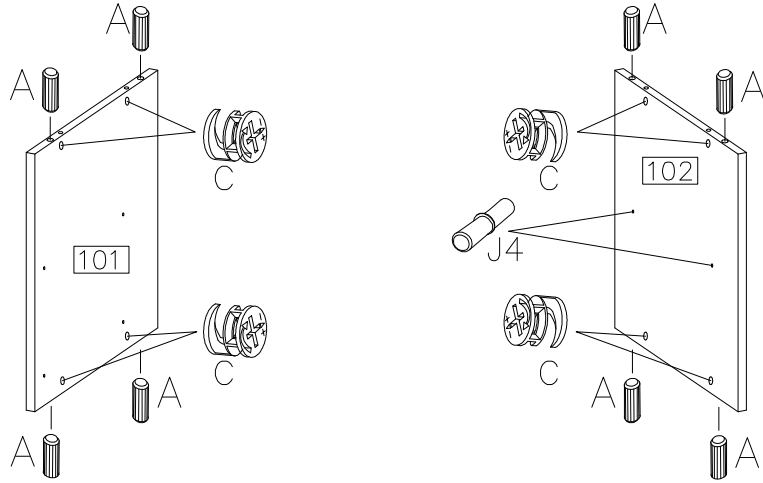
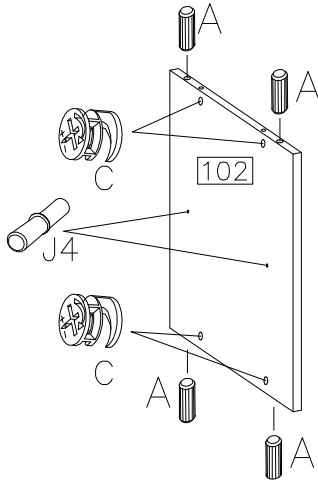
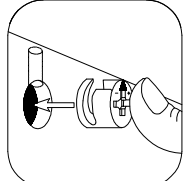
2


D1
12

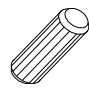





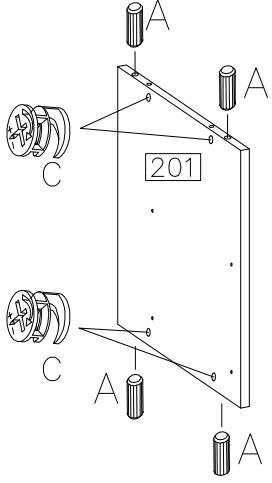
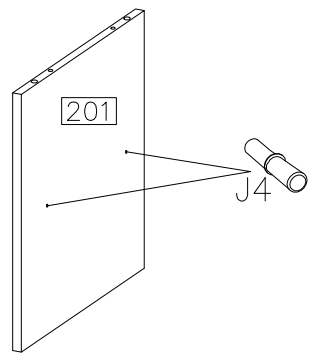
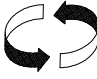
3

ø8x30mm		A
		8
ø15/12mm		C
		J4
		8
		2

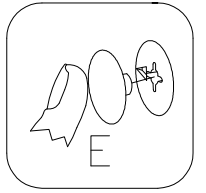
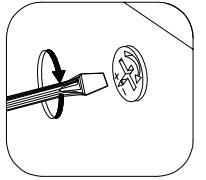
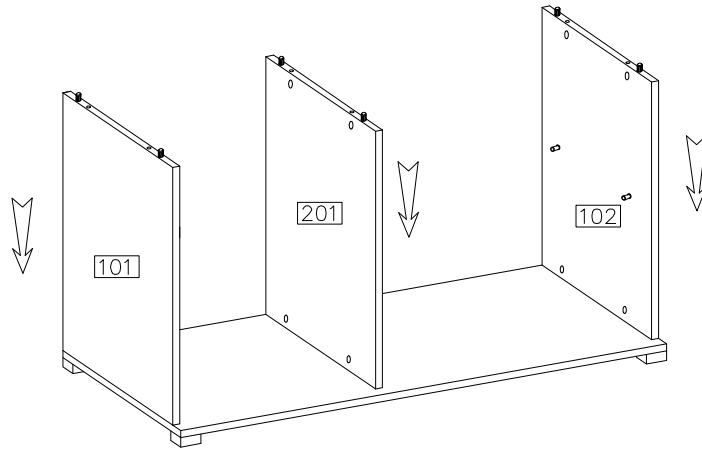
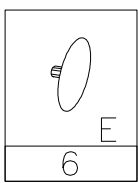




4

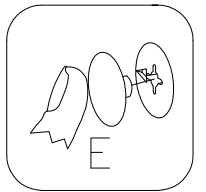
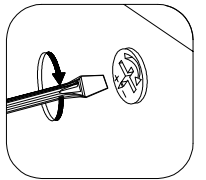
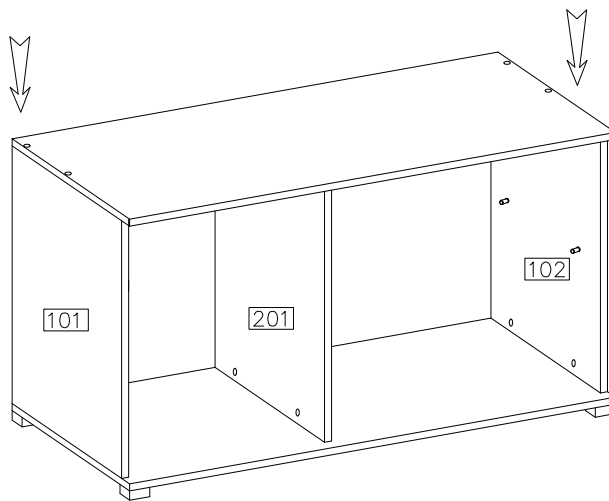
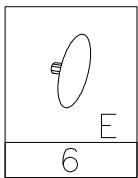
ø8x30mm		A
		4
ø15/12mm		C
		J4
		4
		2

5

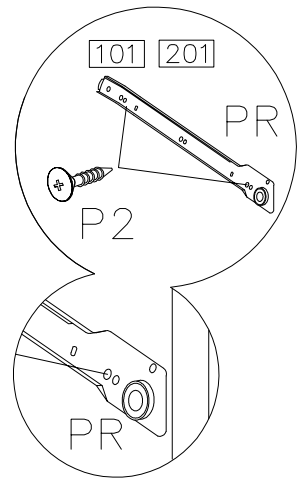
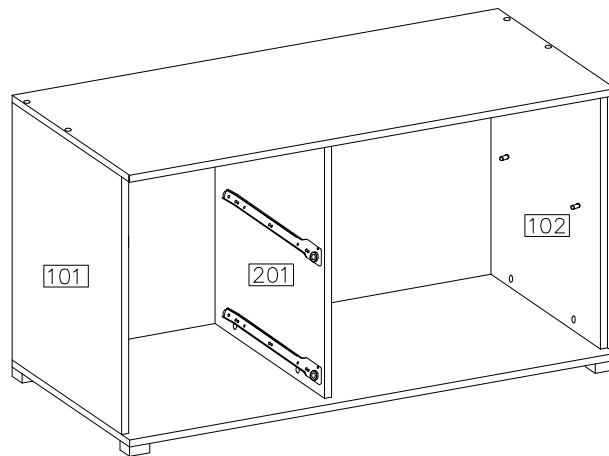


6

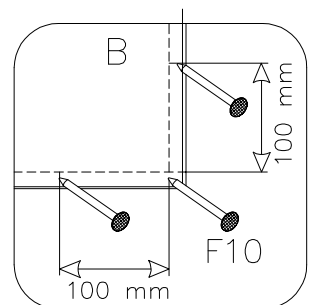
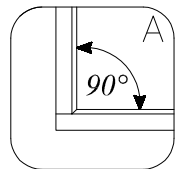
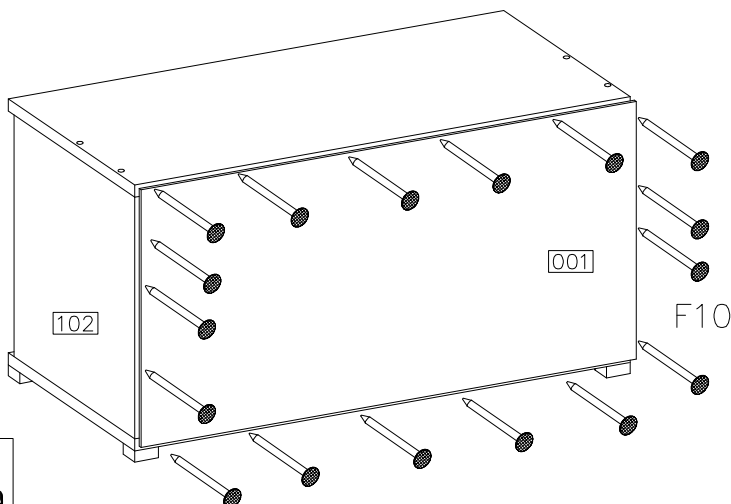
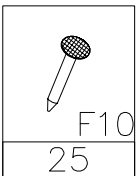


7

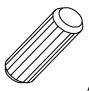

L-350	ø3.5x13mm
PR	P2
2KPL	8



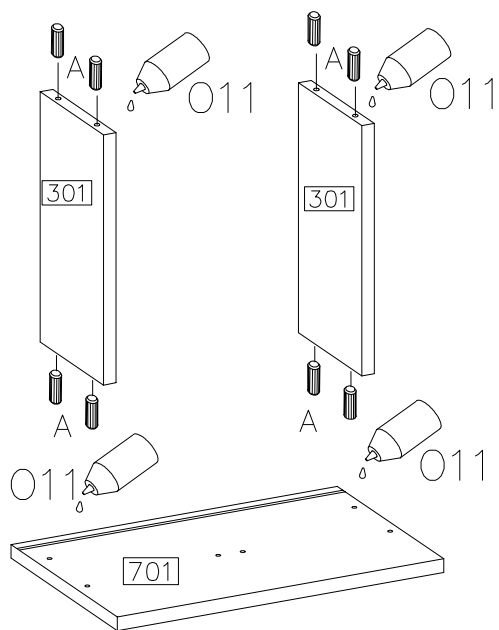
8





9

∅8x30mm		
16	A	O11

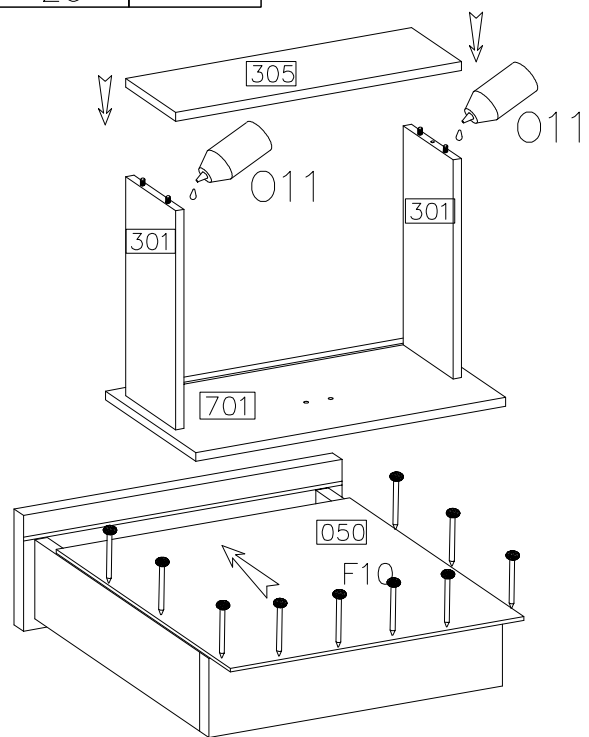
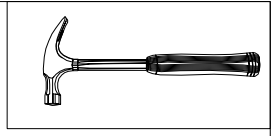
2x



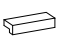

10

	
F10	O11
20	

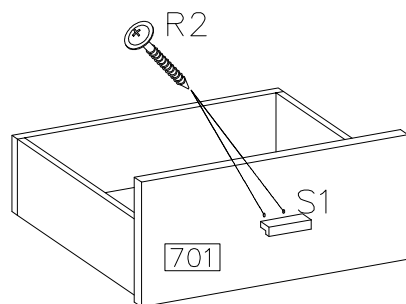
2x



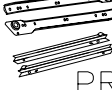

11

	4.0x27mm	
S1		R2
2		4

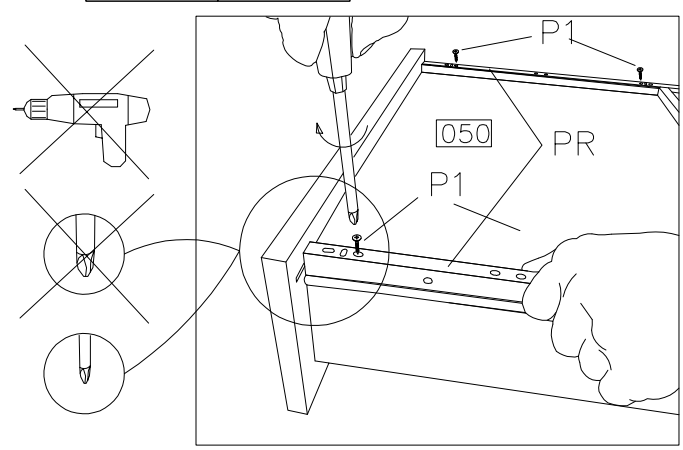
2x



12

L-350	∅4.0x16mm
	
PR	P1
2KPL	8

2x



13

