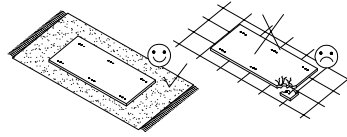
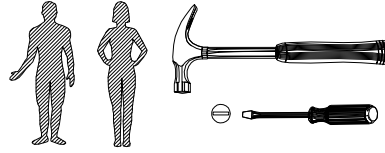
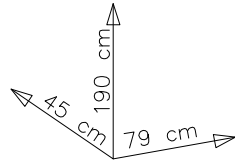
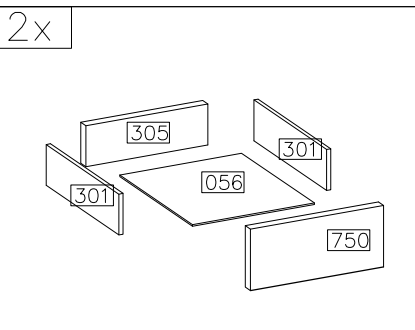
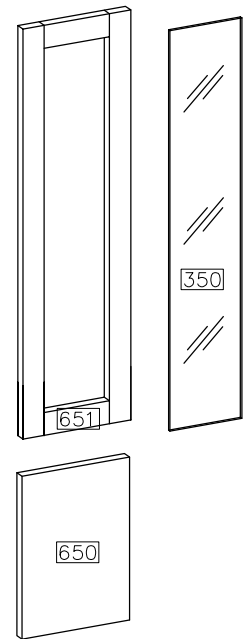
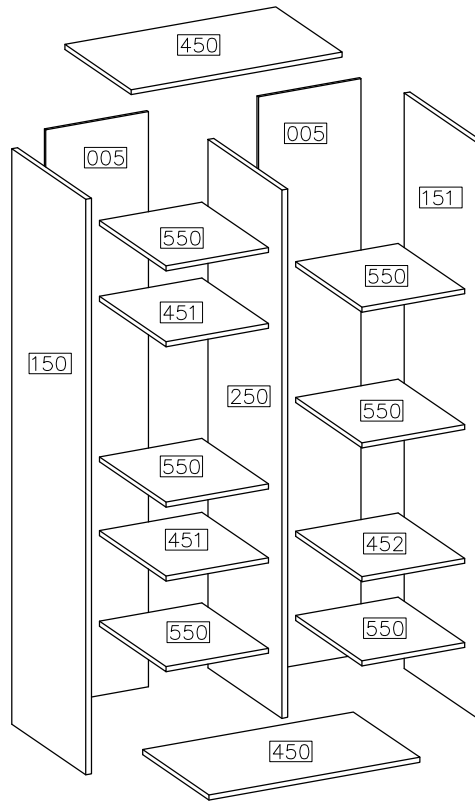


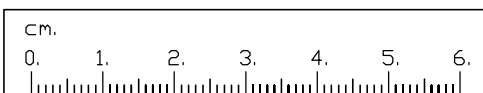
MOKKA II WITRYNA




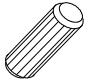

#	ART. NR	QUANTITY
1	450	2
2	451	2
3	452	1
4	150	1
5	151	1
6	250	1
7	550	6
8	005	2
9	750	2
10	301	4
11	305	2
12	050	2
13	650	2
14	651	1
15	652	1
16	350	1

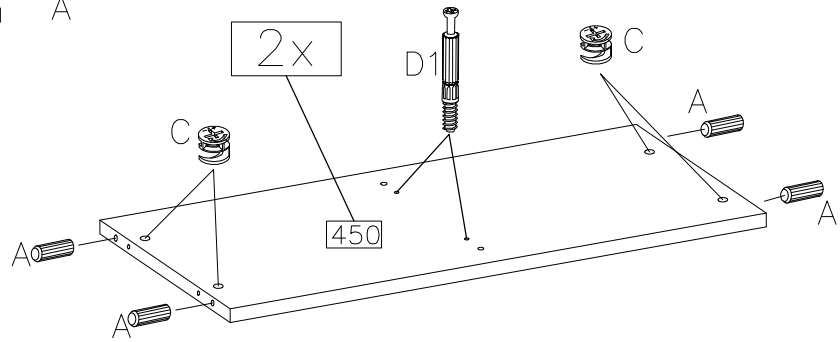
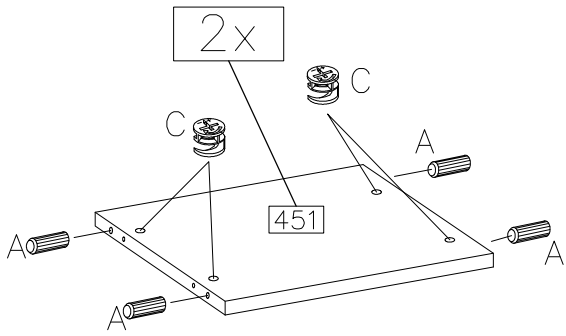
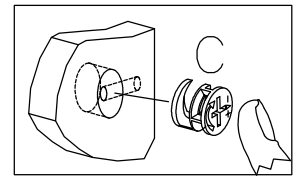
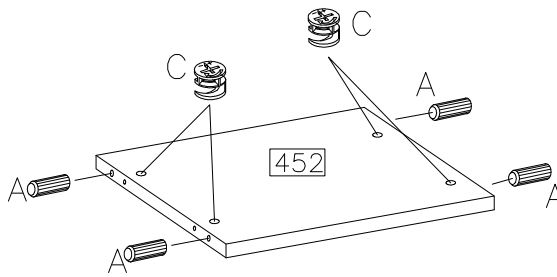


 A 40	 D1 24	 C 24	 E 24	 F9 4	 H=0 H4 9	 ø35/KR-15 G7 9	 ø4.0x16mm P1 32	
 F10 60	 J4 24	 4.0x27mm R2 12	 S1 6	 3.5x13mm P2 8	 L-350 PR 2KPL	 O11 2	 U 6	 F8 10




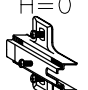
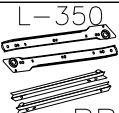



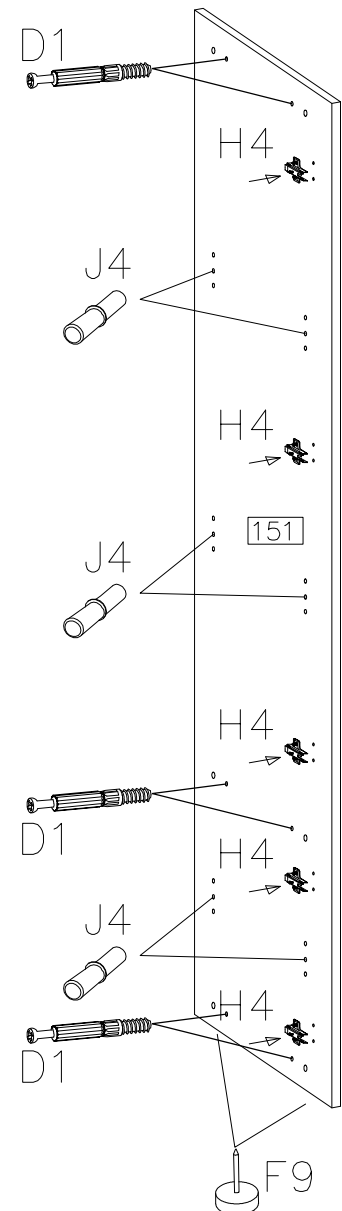
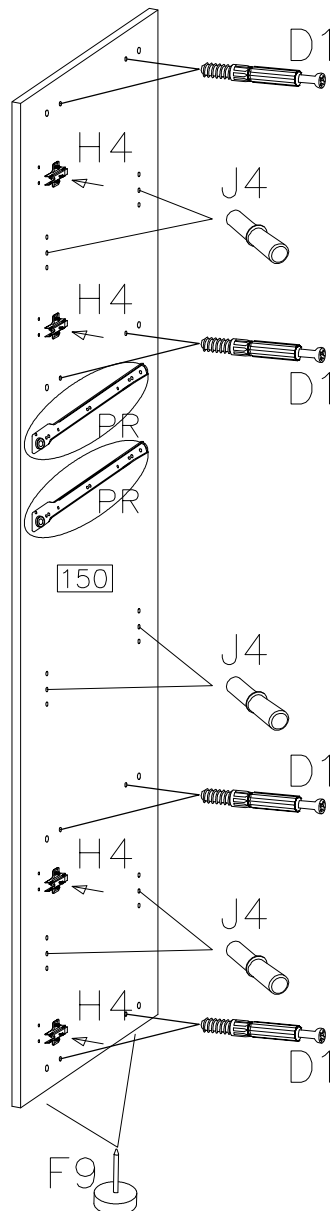
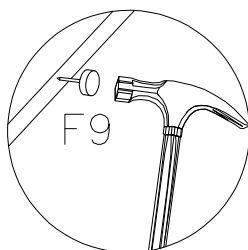
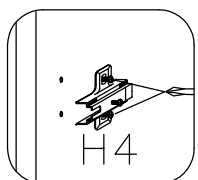
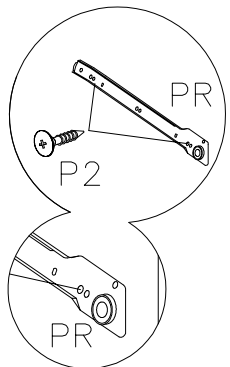
1

 C	 A	 D1
20	20	4





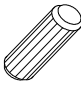


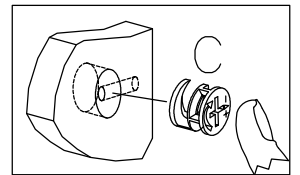
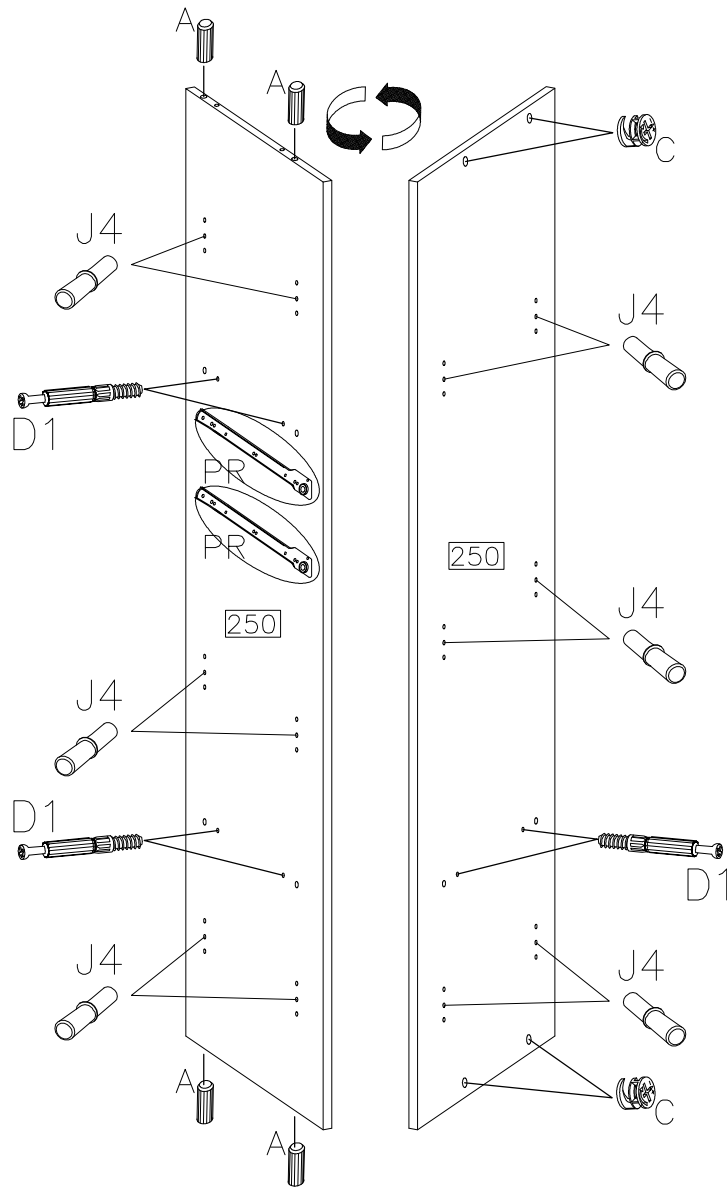
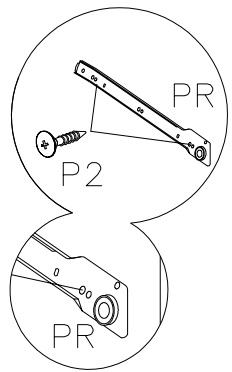
2

 D1	 P2
14	4
 F9	 H4
4	9
 PR	 J4
2KPL	12




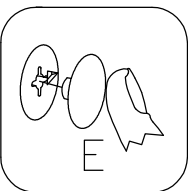
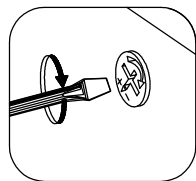
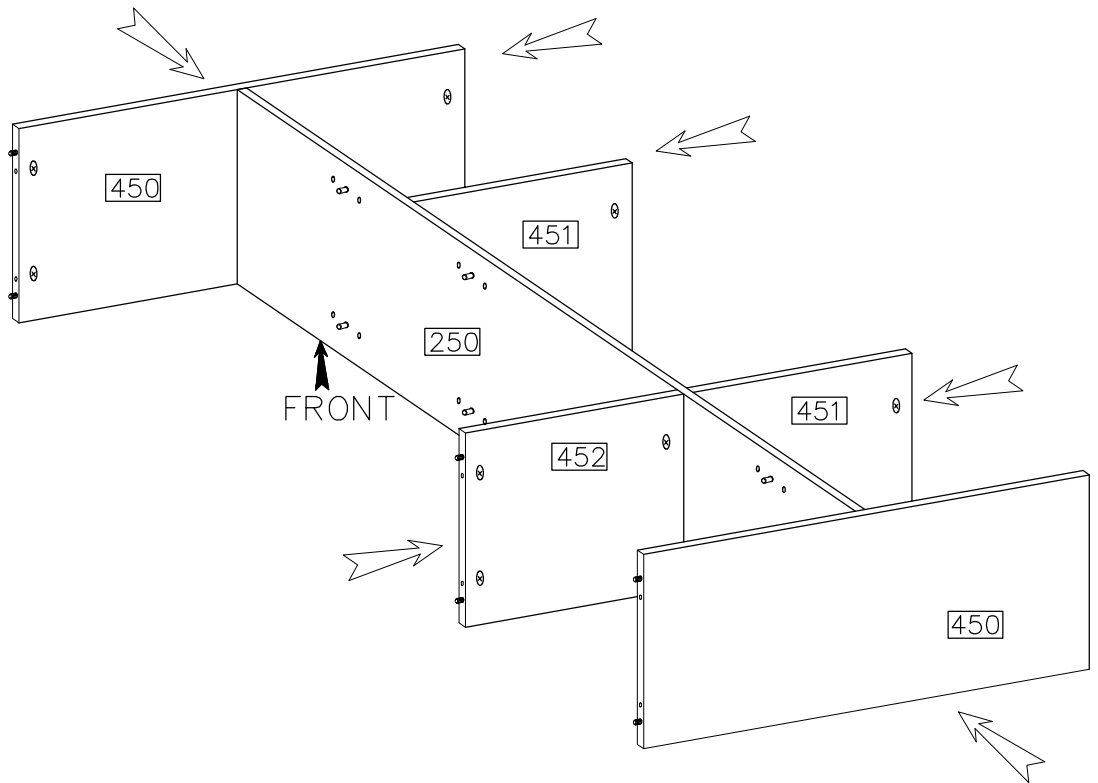
3

	3.5x13mm
D1	P2
6	4
	
PR	J4
2KPL	12
$\varnothing 15/12\text{mm}$	$\varnothing 8 \times 30\text{mm}$
	
C	A
4	4

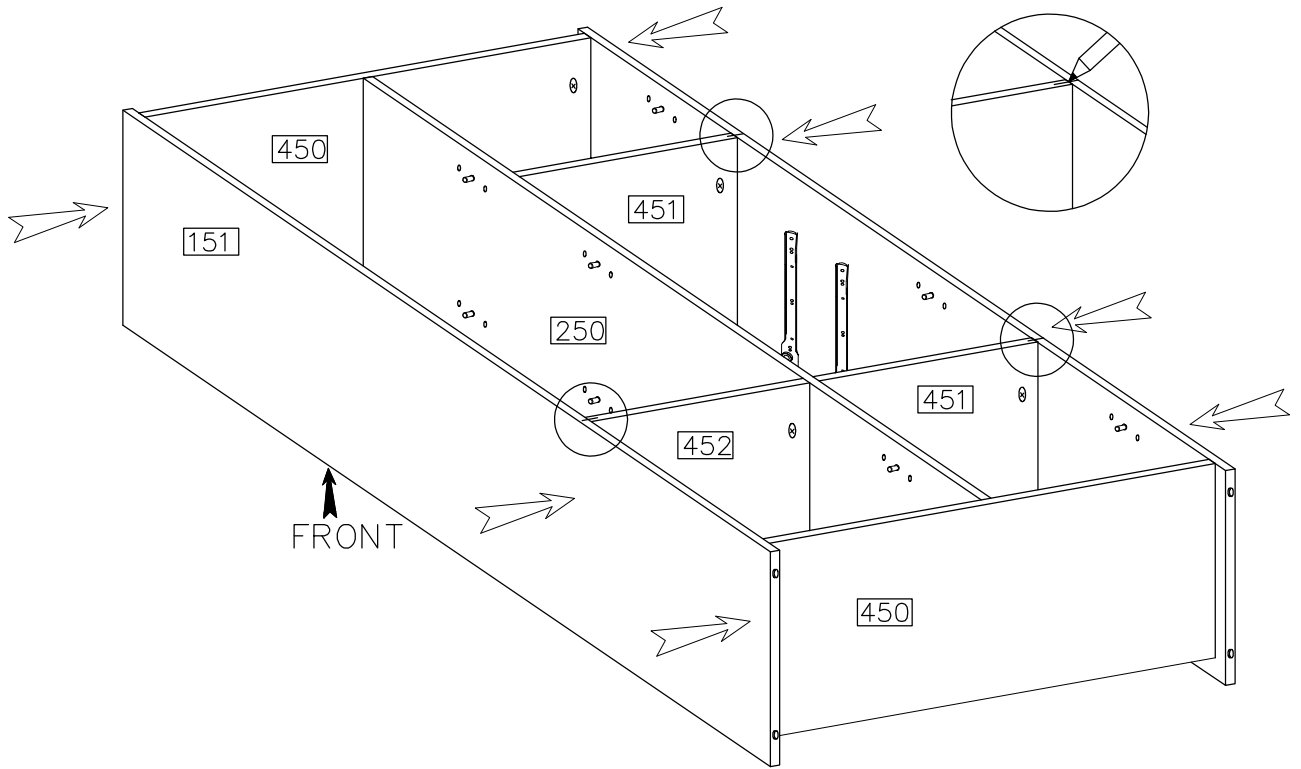
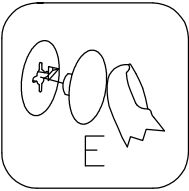
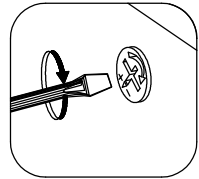
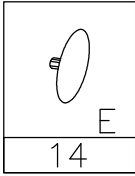


4

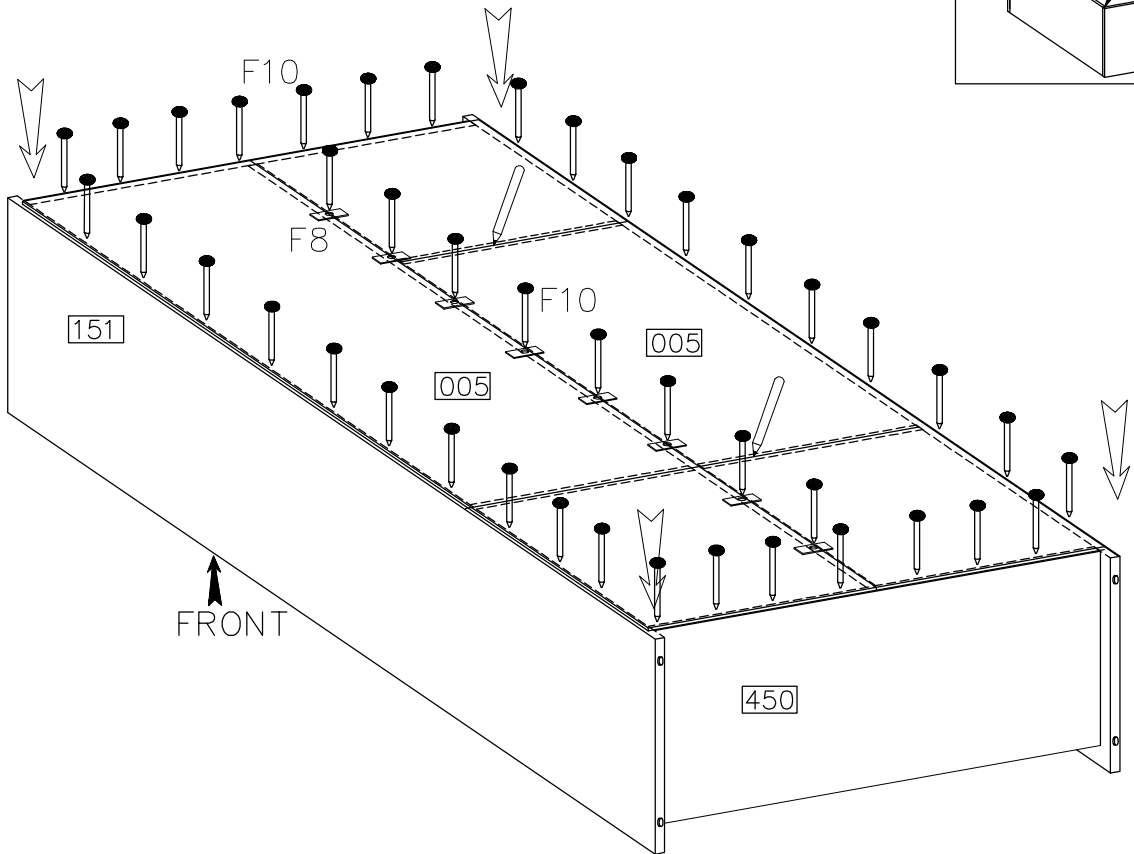
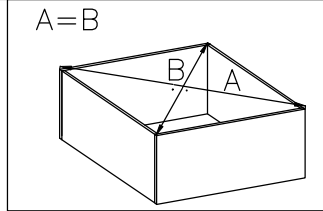
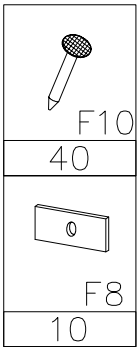

E
10



5



6



7

∅8x30mm



A

16

011

8



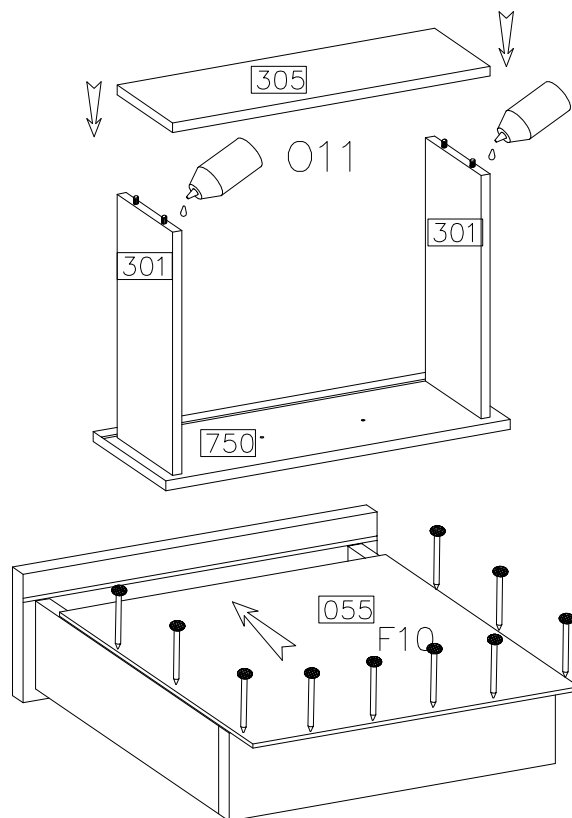
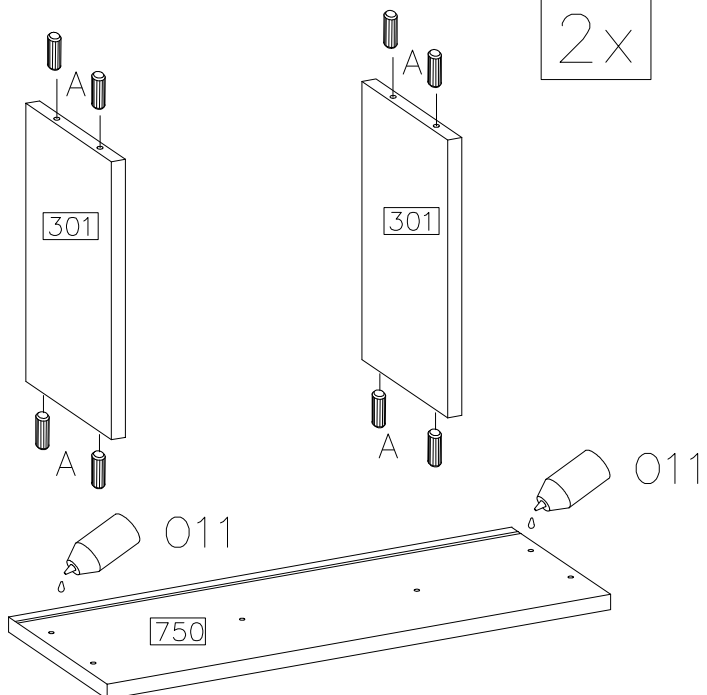
F10

20

011

2x

2x



9

4.0x27mm



R2

4



S1

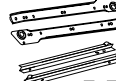
2

2x

10

L-350

∅4.0x16mm



PR

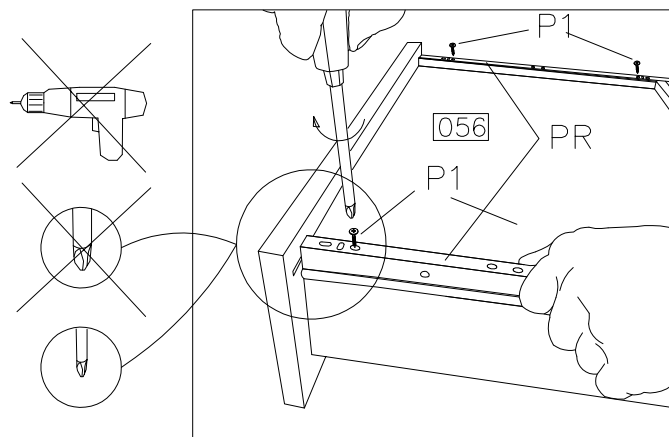
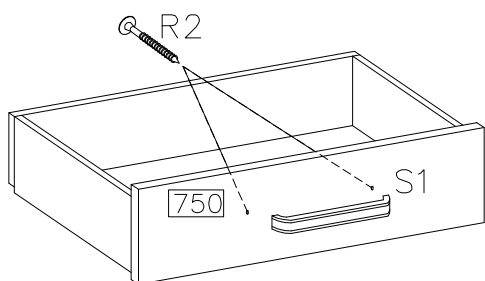
2KPL







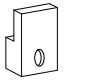
P1

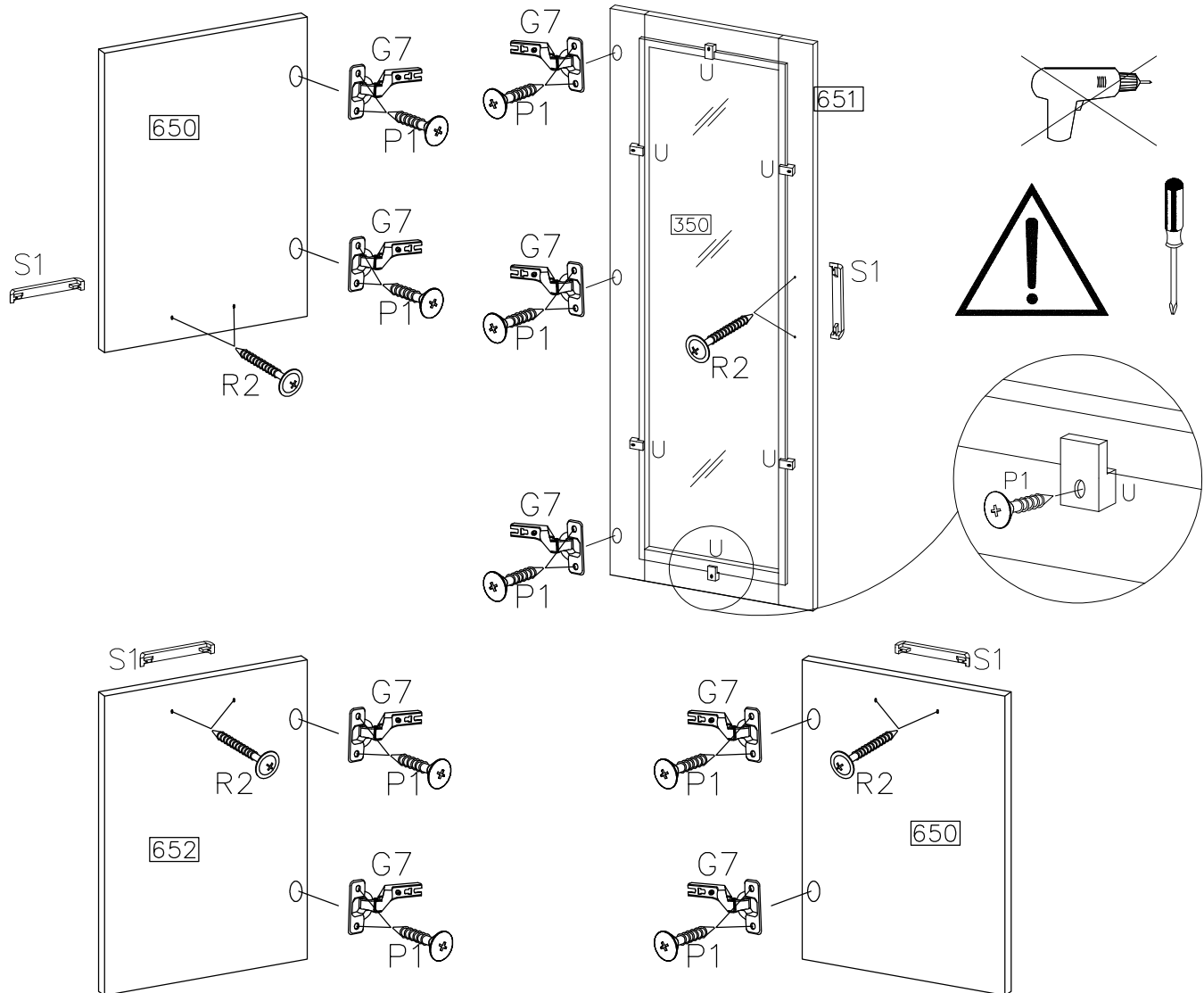
8

2x



11

- ø35/KR-15
-  G7
- 9
- ø4.0x16mm
-  P1
- 24
- 4.0x27mm
-  R2
- 8
-  S1
- 4
-  U
- 6



12

