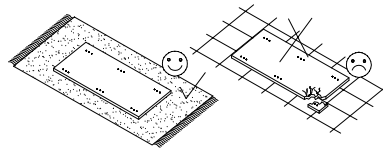
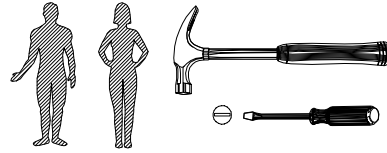
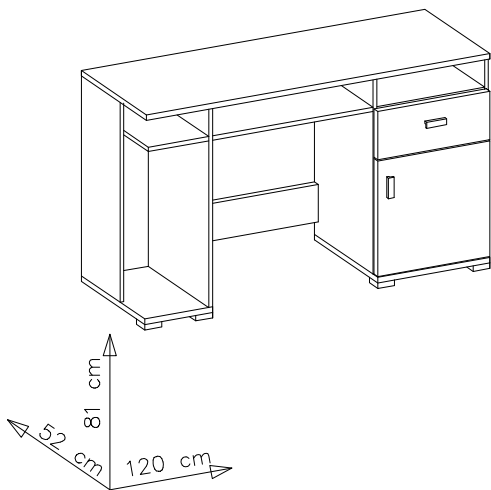
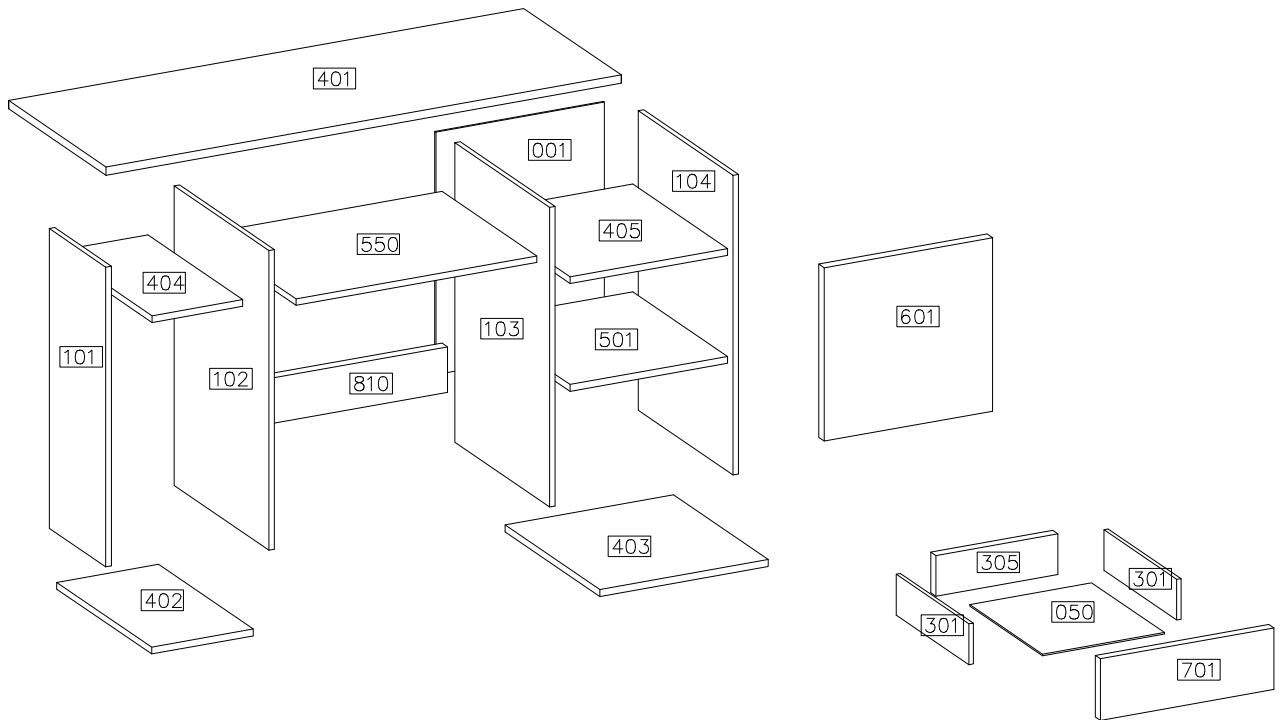


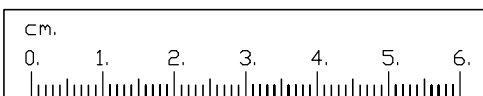
NELLY-BIURKO



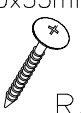

#	ART. NR	QUANTITY
1	401	1
2	402	1
3	403	1
4	404	1
5	405	1
6	101	1
7	102	1
8	103	1
9	104	1
10	105	1
11	501	1
12	550	1
13	601	1
14	810	1
15	001	1
16	701	1
17	301	2
18	305	1
19	050	1

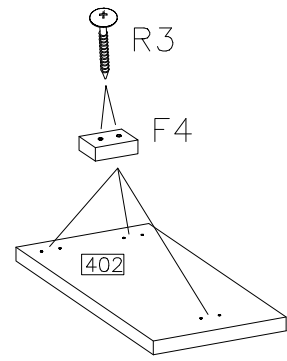
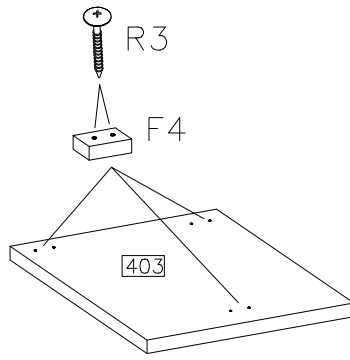


	ø15/12mm 		ø8x30mm 	H=0 	ø35/KR-0 	3.5x13mm 	ø4.0x16mm 		4.0x27mm
23	23	23	44	2	2	8	12	2	4
	4.0x35mm 		L-350 						
20	12	6	2KPL	1	4				




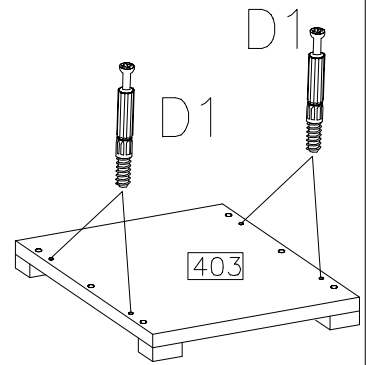
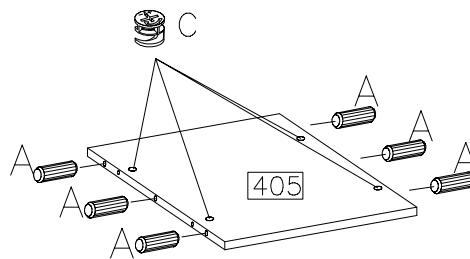
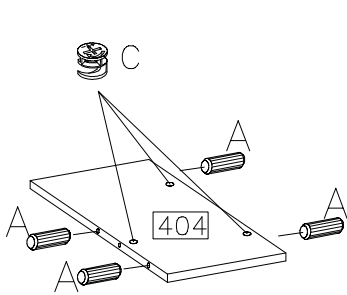
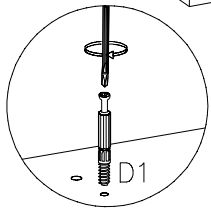
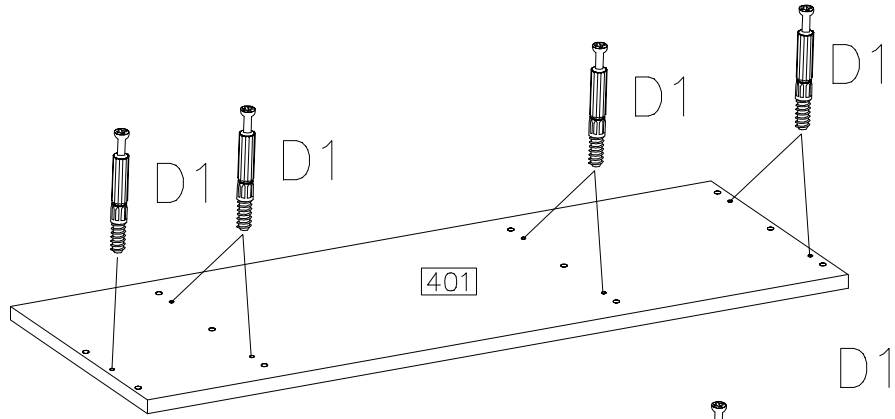
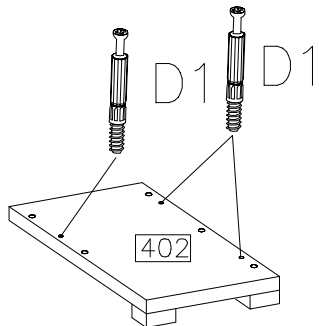
1

4.0x35mm		
	R3	F4
	12	6



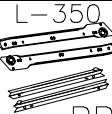




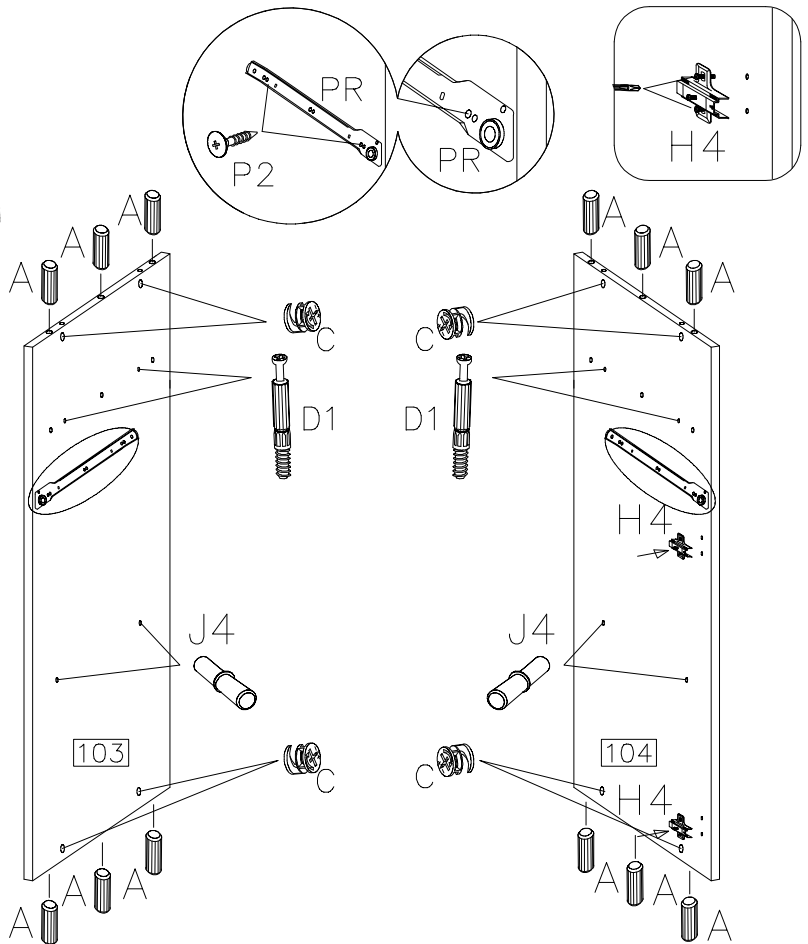
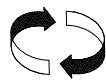
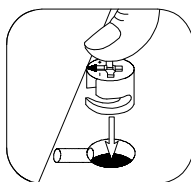
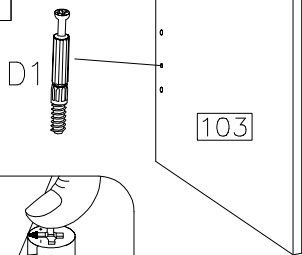
2

	∅8x30mm	∅15/12mm
D1	A	C
14	10	7



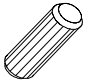
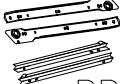



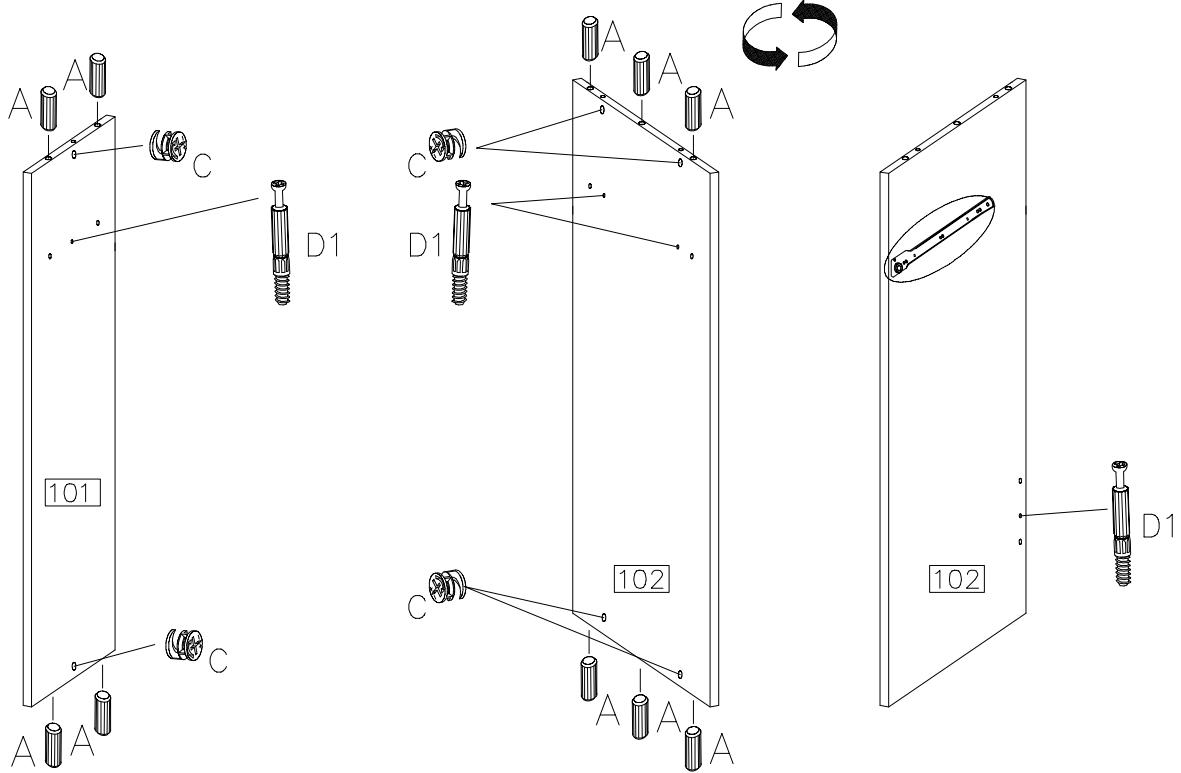
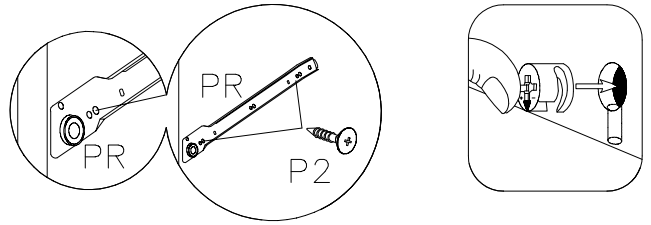
3

	∅8x30mm
H4	A
4	12
	∅15/12mm
J4	C
4	8
	
PR	D1
1.5KPL 3.5x13mm	5
	
P2	
6	

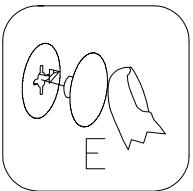
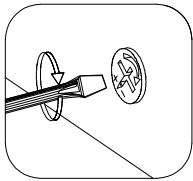
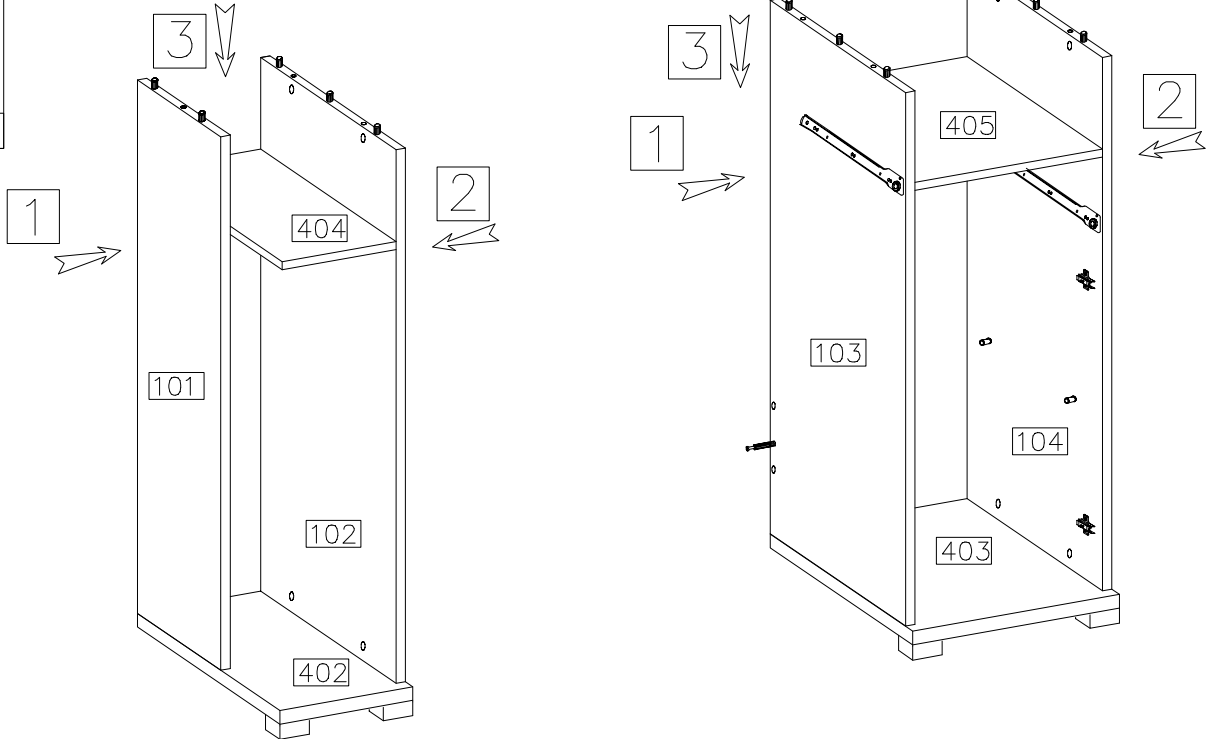
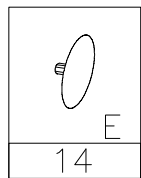


4

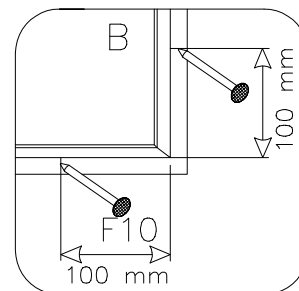
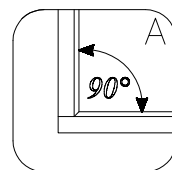
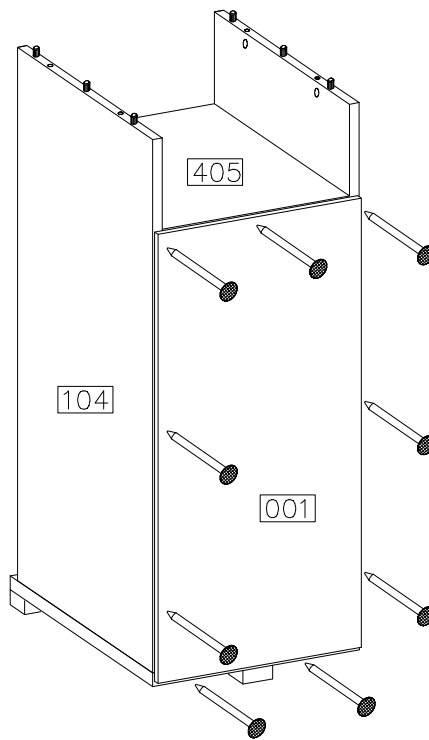
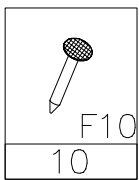
	$\varnothing 15/12\text{mm}$ 	$\varnothing 8 \times 30\text{mm}$ 	L-350 	3.5x13mm 
D1	C	A	PR	P2
4	6	10	0.5KPL	2



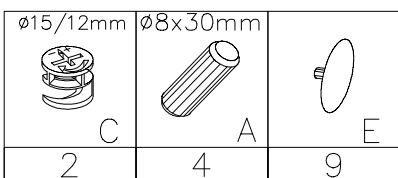
5



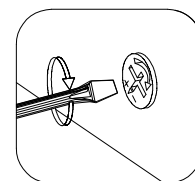
6



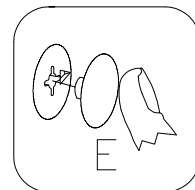
7



3

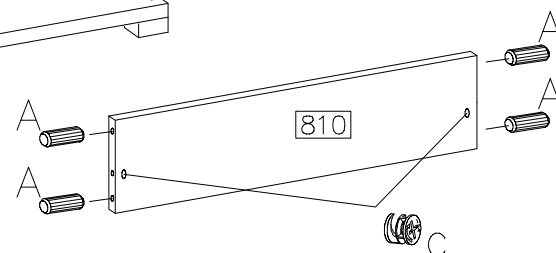
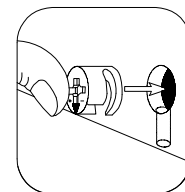
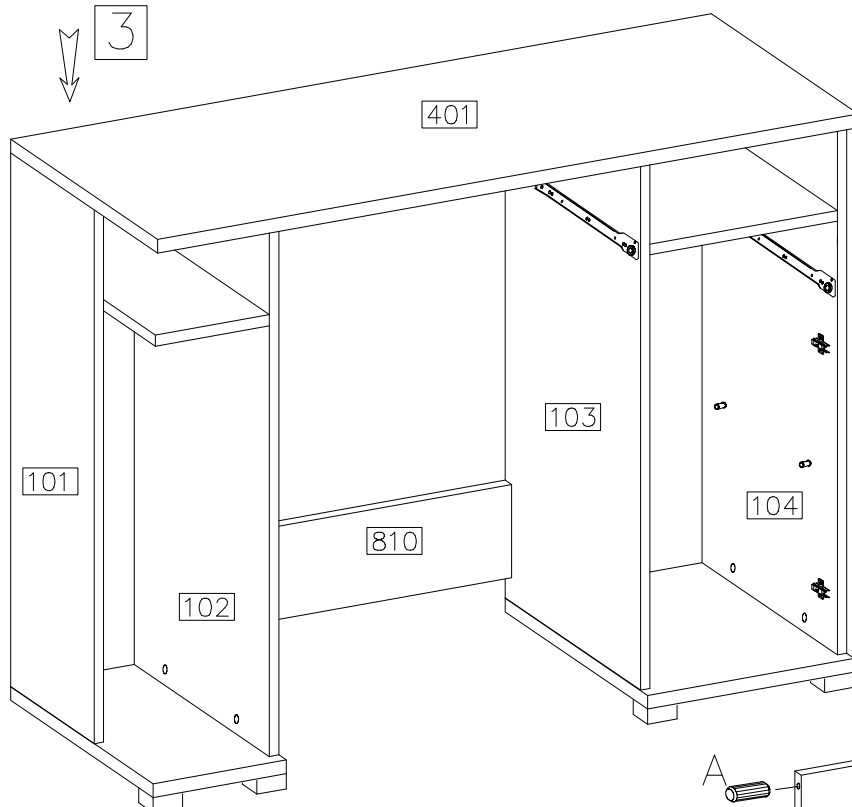


3



2

1



8



O11

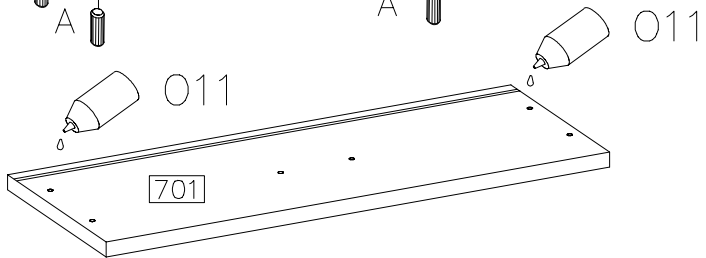
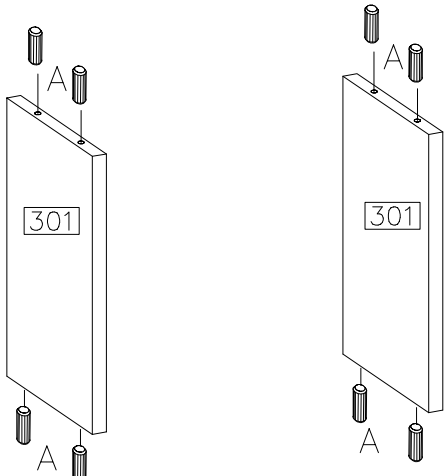
1

ø8x30mm



A

8



9



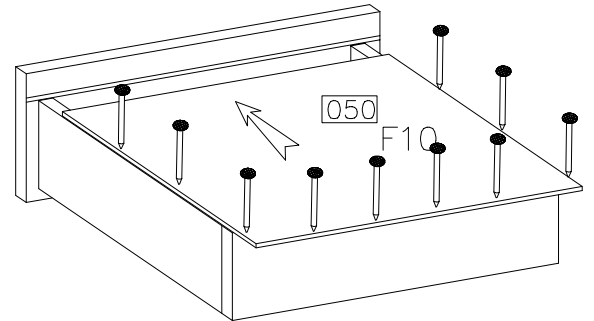
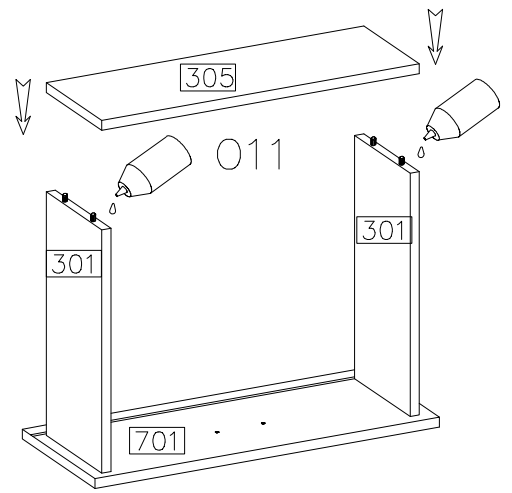
F10

10



O11

1



10



S1

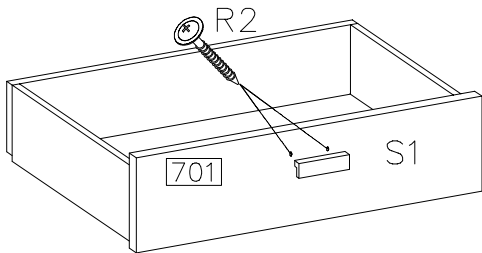
1

4.0x27mm



R2

2



11

L-350



PR

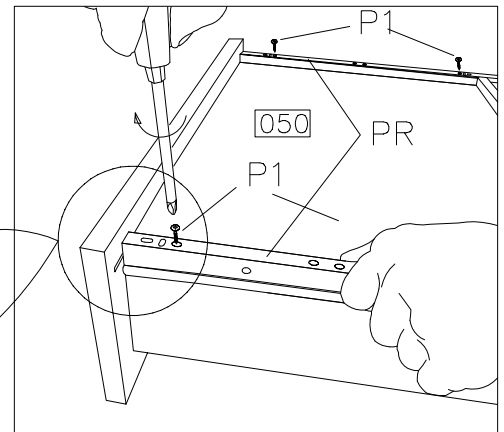
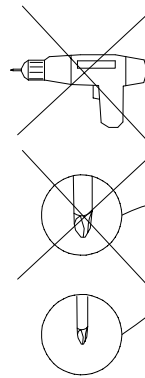
1KPL

ø4.0x16mm

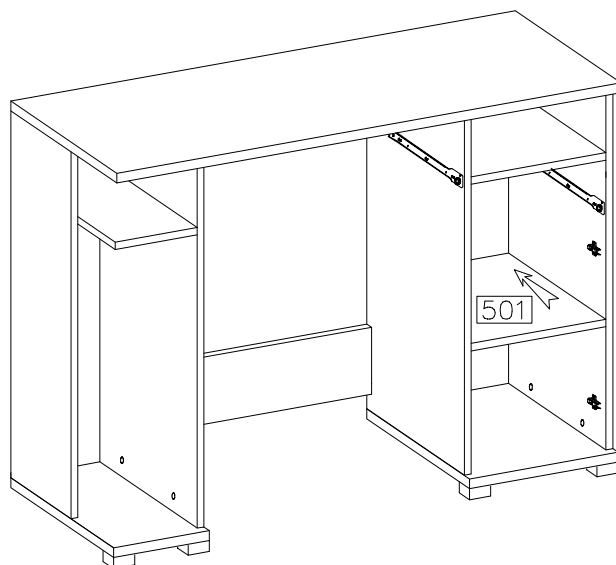


P1

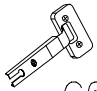



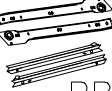

4

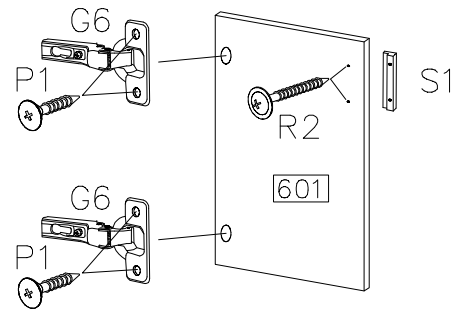
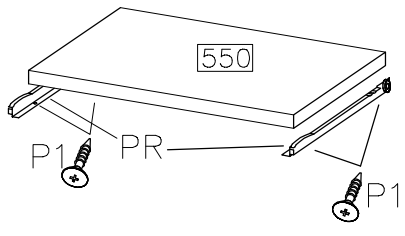


12

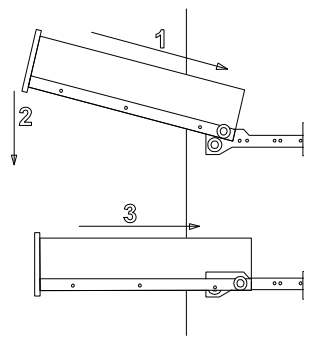
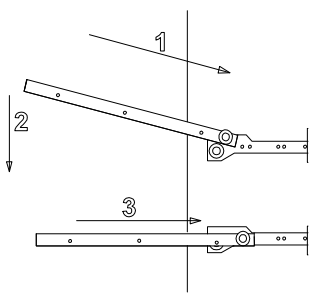
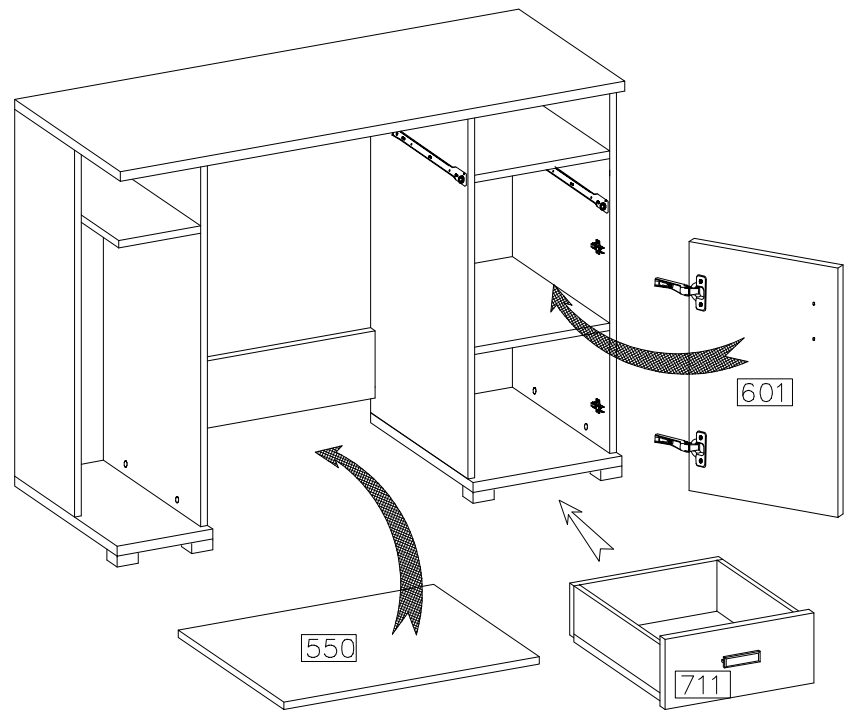


13

$\varnothing 35/KR-0$  G6 2	$\varnothing 4.0 \times 16 \text{mm}$  P1 4	 S1 1	$4.0 \times 27 \text{mm}$  R2 2	L-350  PR 1KPL	$\varnothing 4.0 \times 16 \text{mm}$  P1 4
--	--	--	--	---	--



14



15

