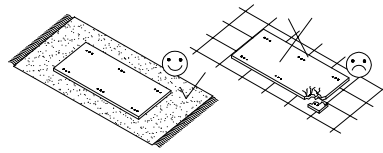
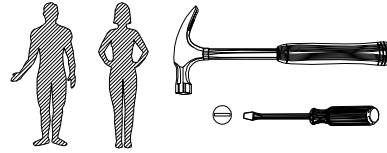
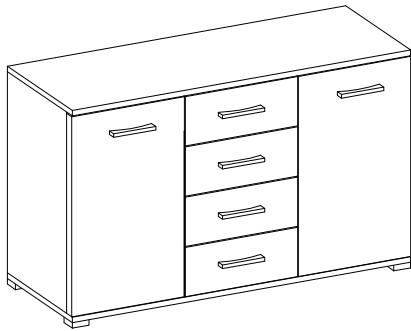
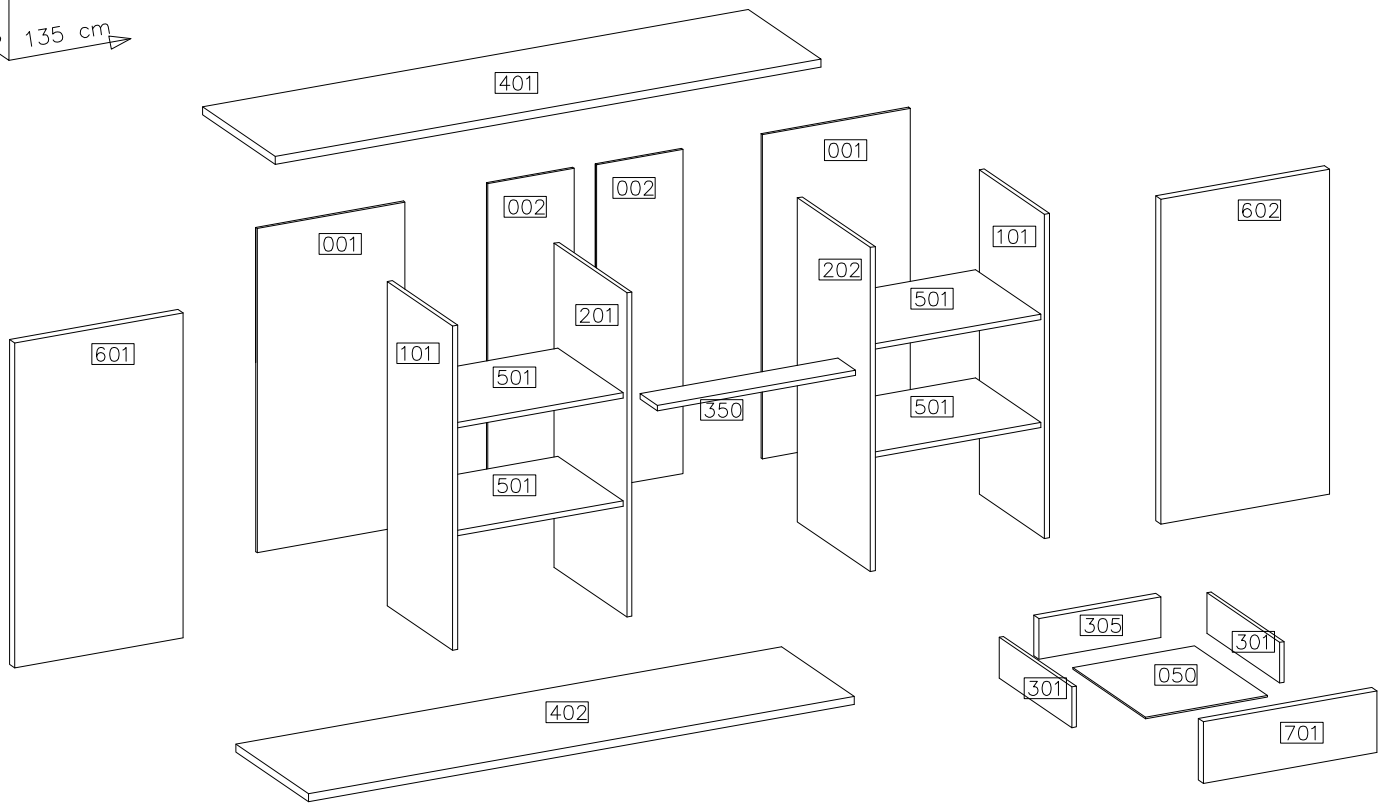
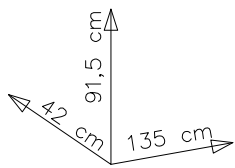


# BARI

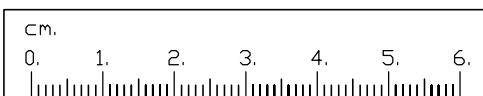
## 26



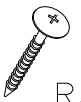

#	ART. NR	QUANTITY
1	401	1
2	402	1
3	101	2
4	201	1
5	202	1
6	601	1
7	602	1
8	501	4
9	701	4
10	301	8
11	305	4
12	050	4
13	001	2
14	002	2
15	350	1

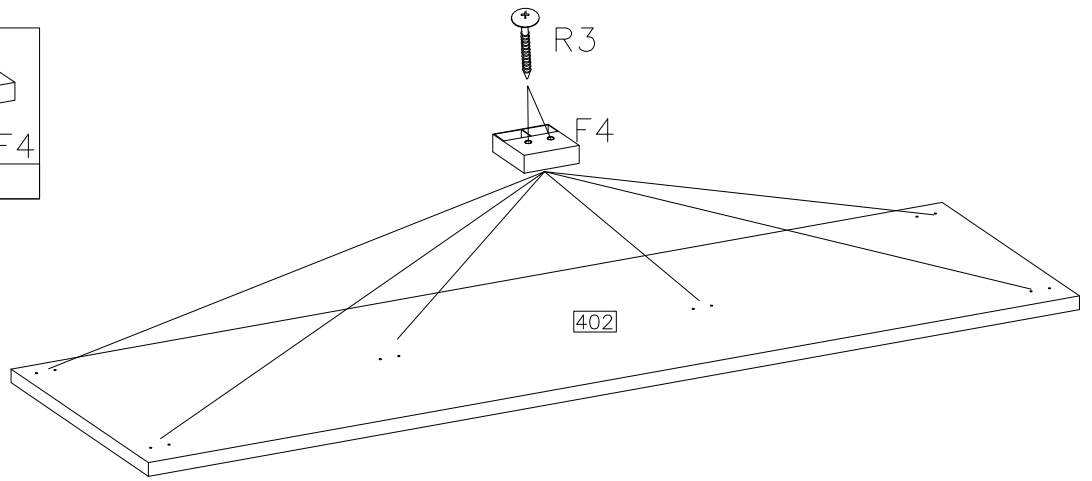


	ø15/12mm		ø8x30mm	H=0	ø35/90°	3.5x13mm	ø4.0x16mm		4.0x27mm
D1	C	E	A	H4	G6	P2	P1	S1	R2
18	18	18	50	4	4	16	24	6	12
		L-350							
R3	F4	PR	J4	Z1	F8	F10	O11		
12	6	4KPL	16	1	10	80	4		




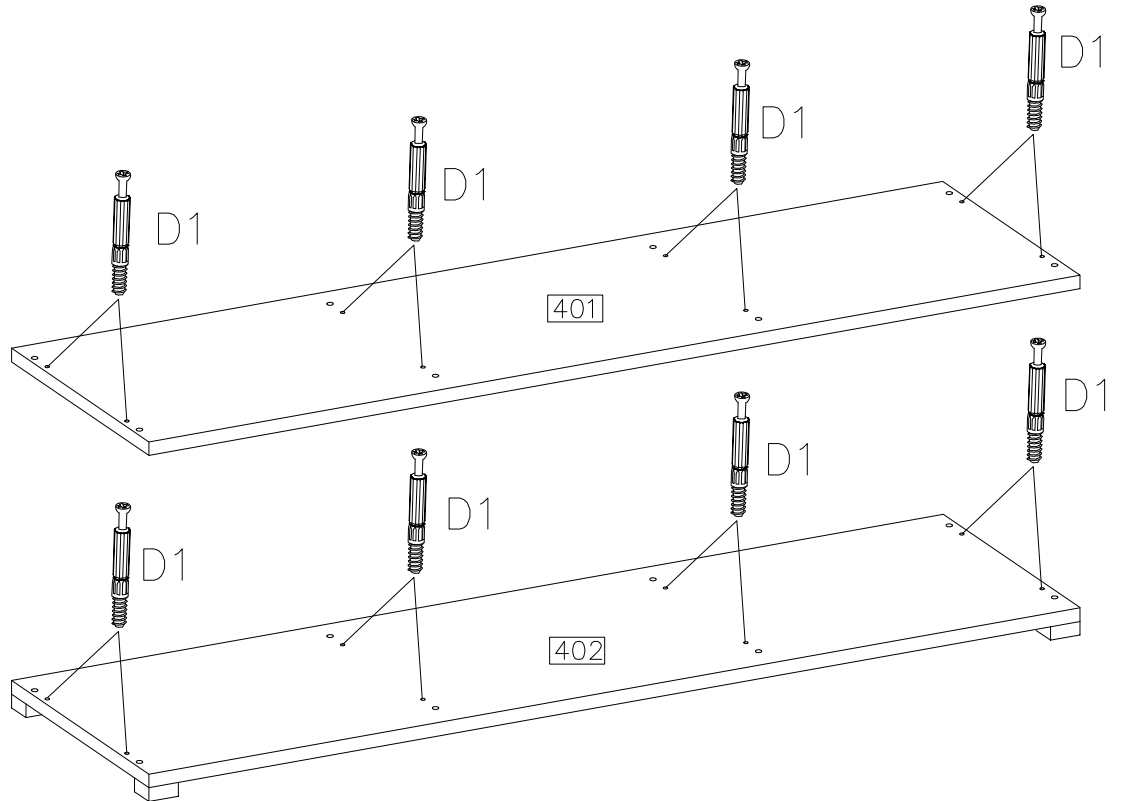
1

4.0x35mm		
	R3	F4
	12	6

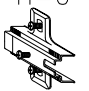





2

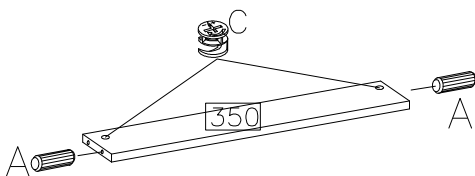
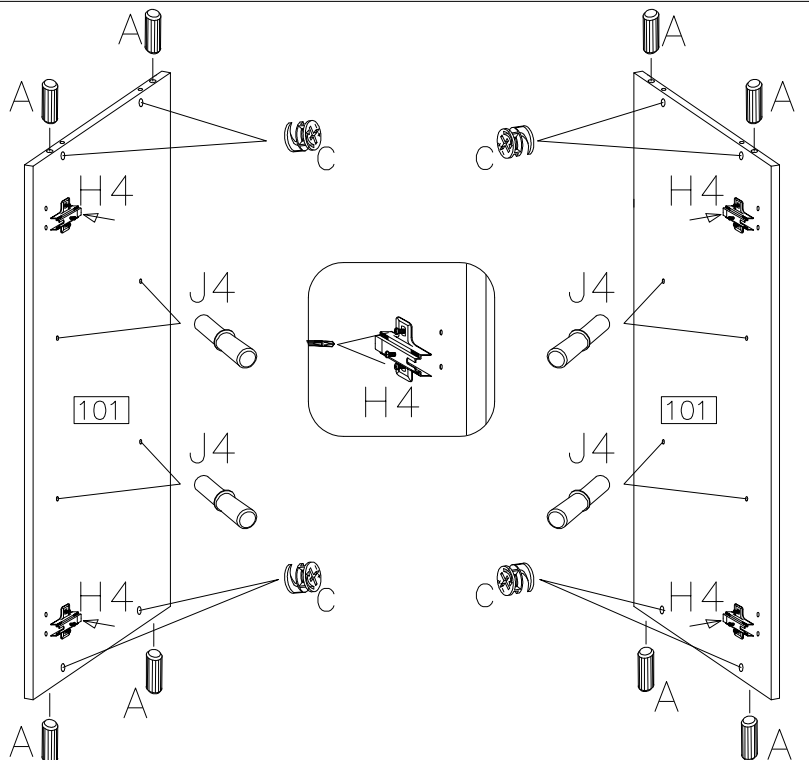
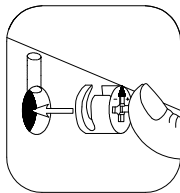
	D1
	16





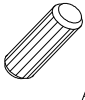
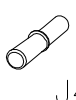
3

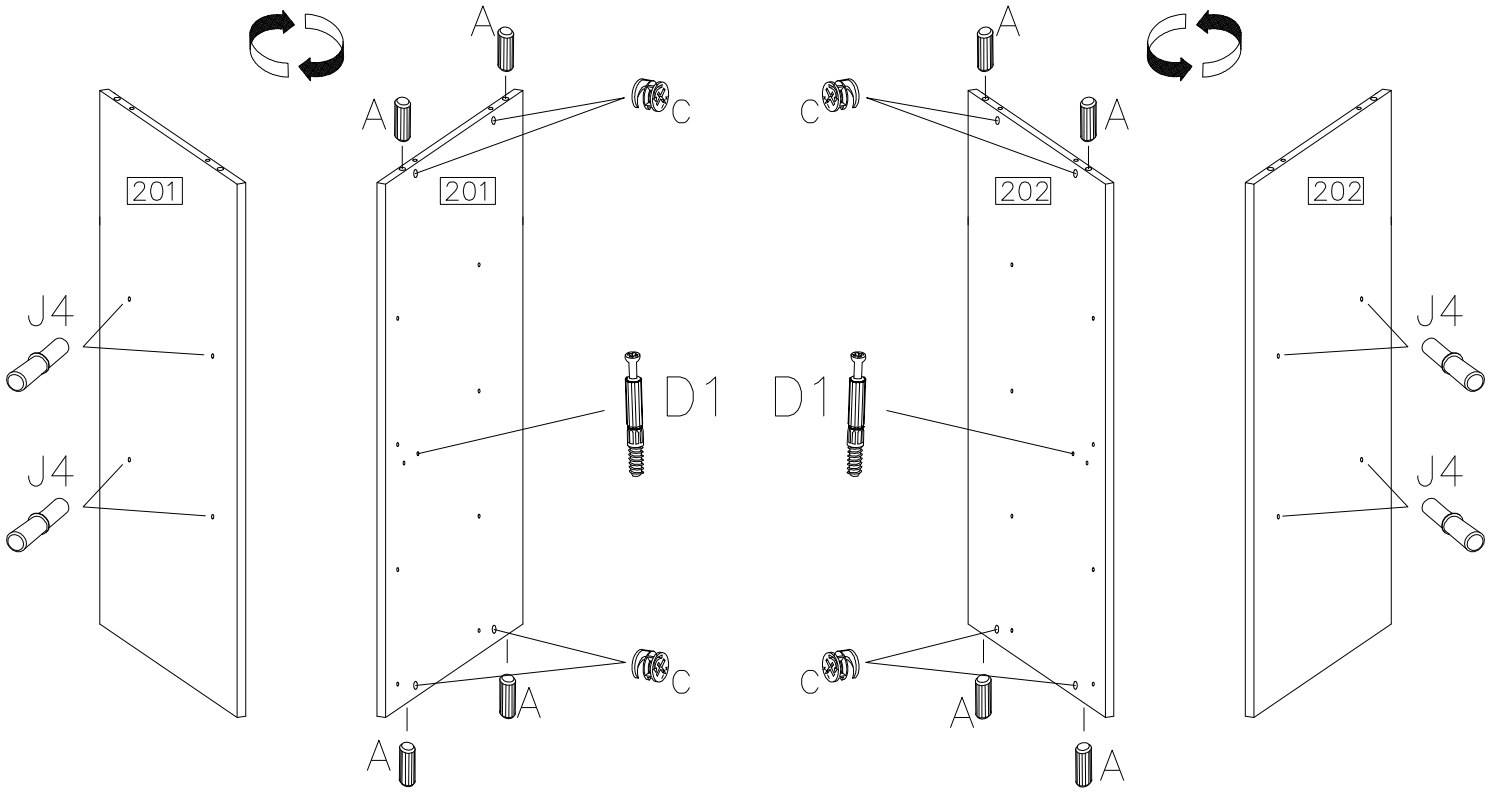
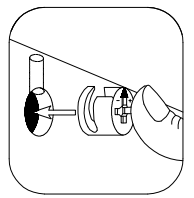
H=0	ø8x30mm	ø15/12mm
		
H4	A	C
4	10	10

	J4
	8




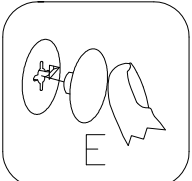
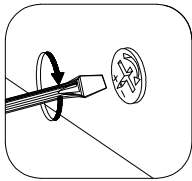
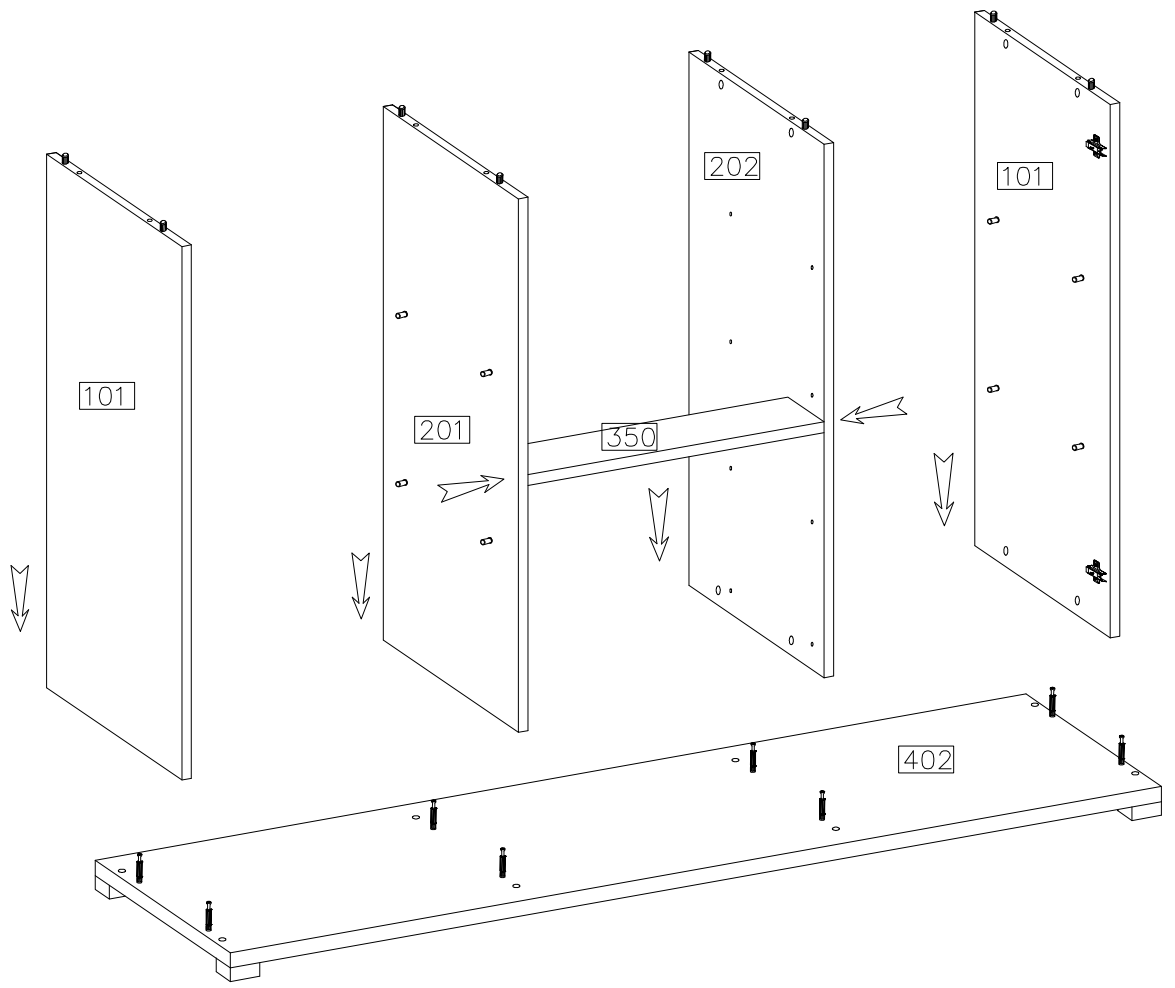
4

	$\varnothing 15/12\text{mm}$ 	$\varnothing 8 \times 30\text{mm}$ 	
D1	C	A	J4
2	8	8	8

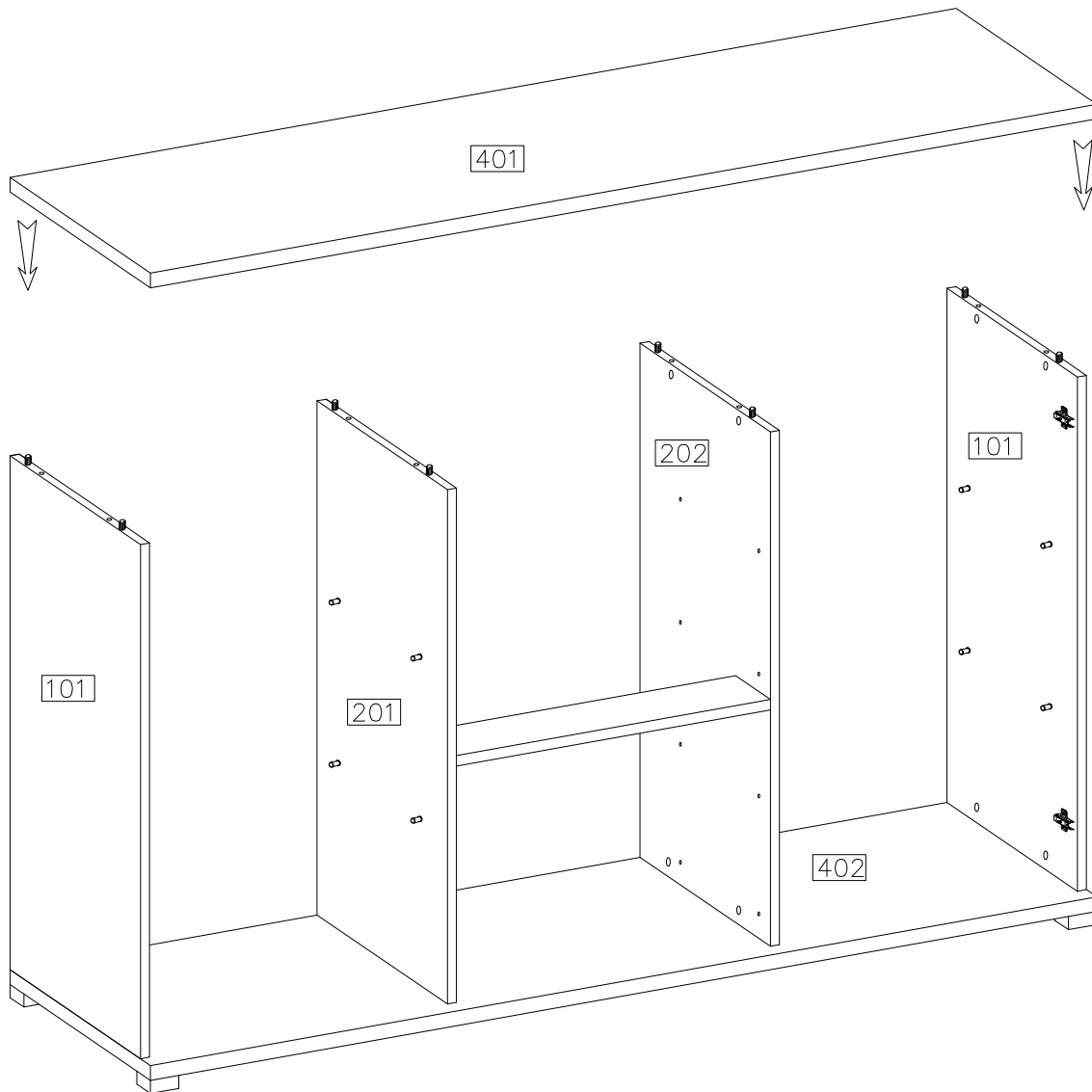
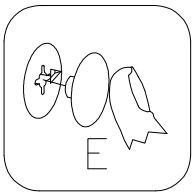
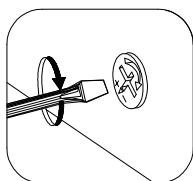
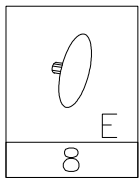


5

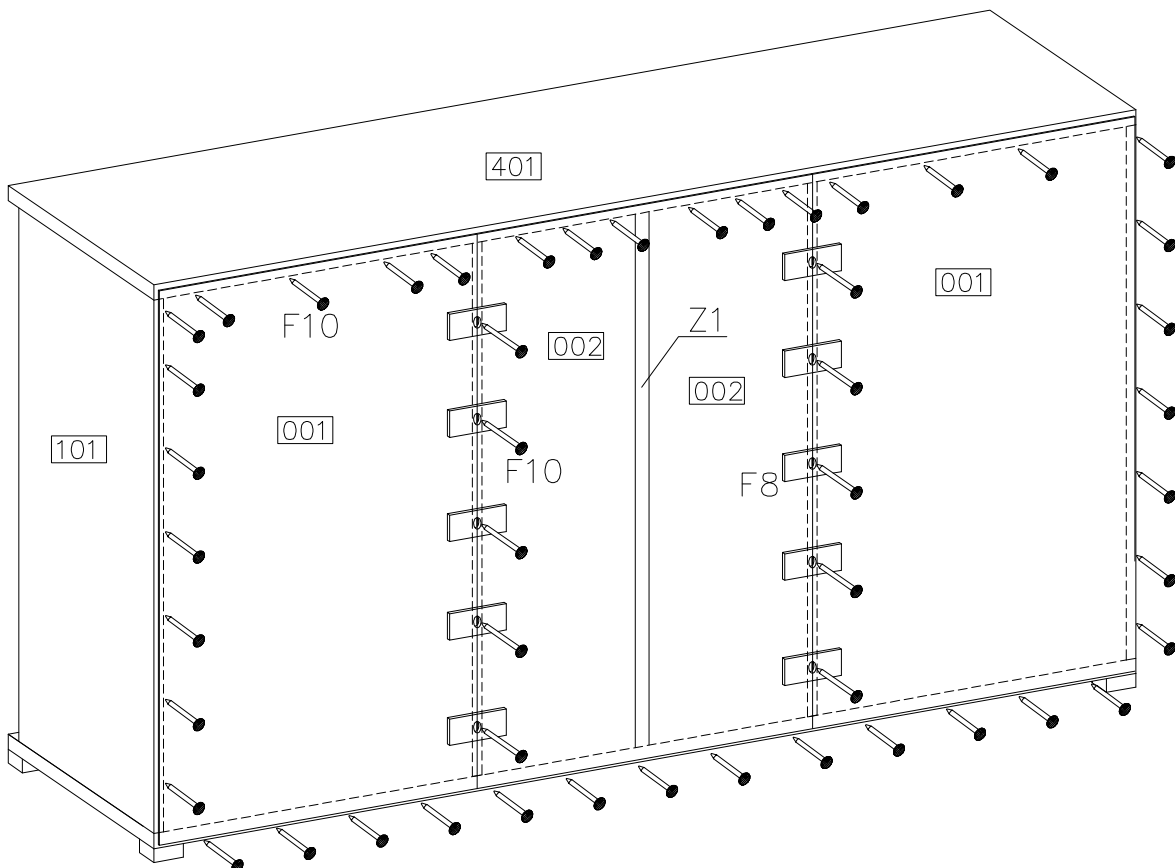
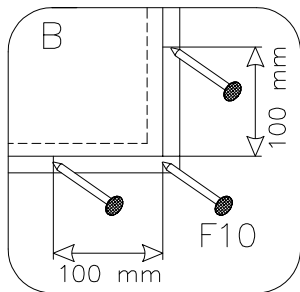
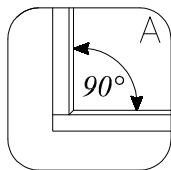
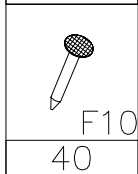
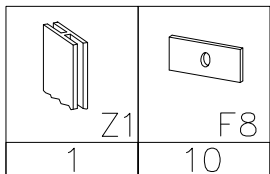

E
10



6

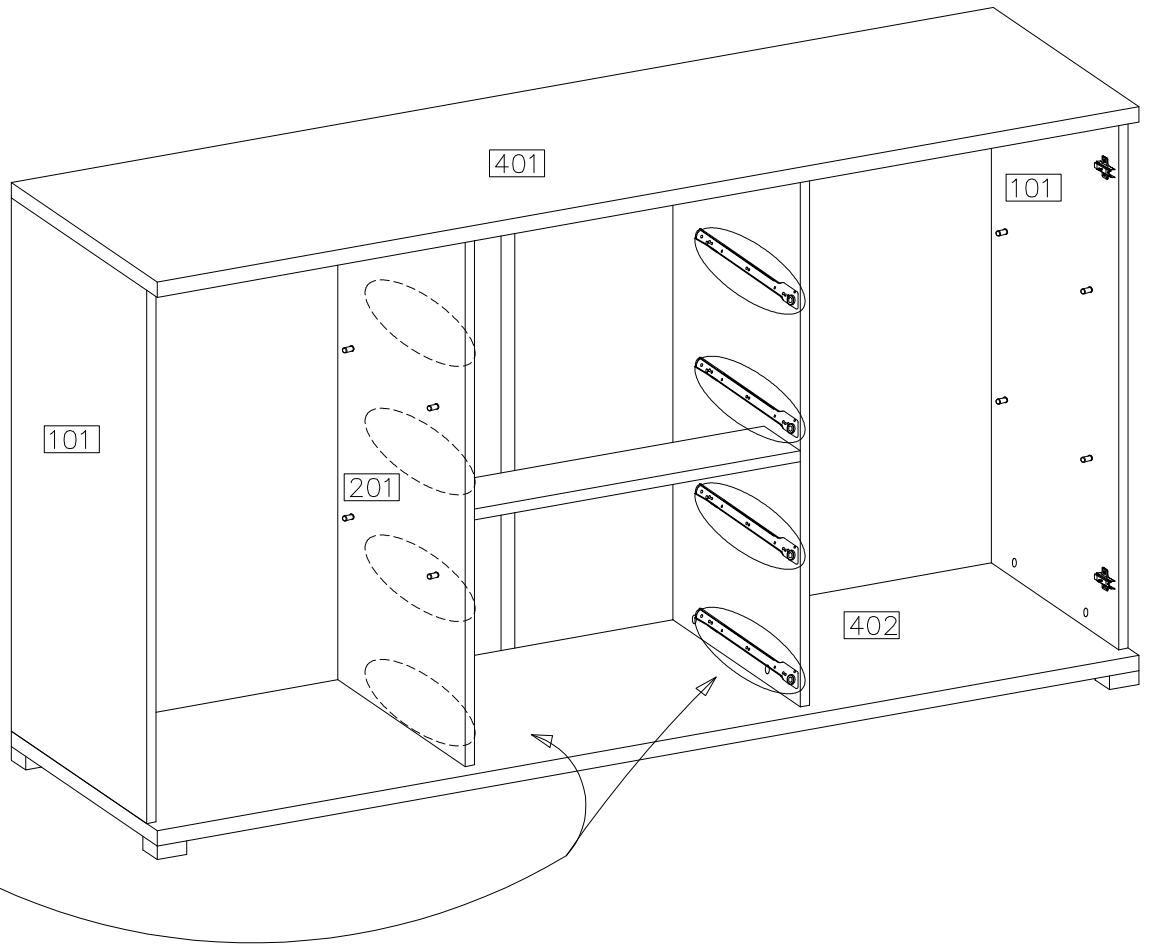
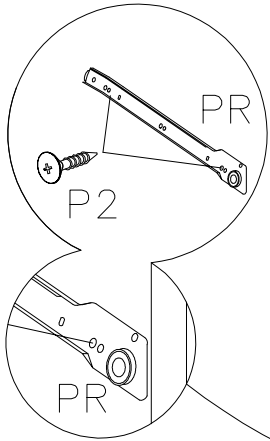


7

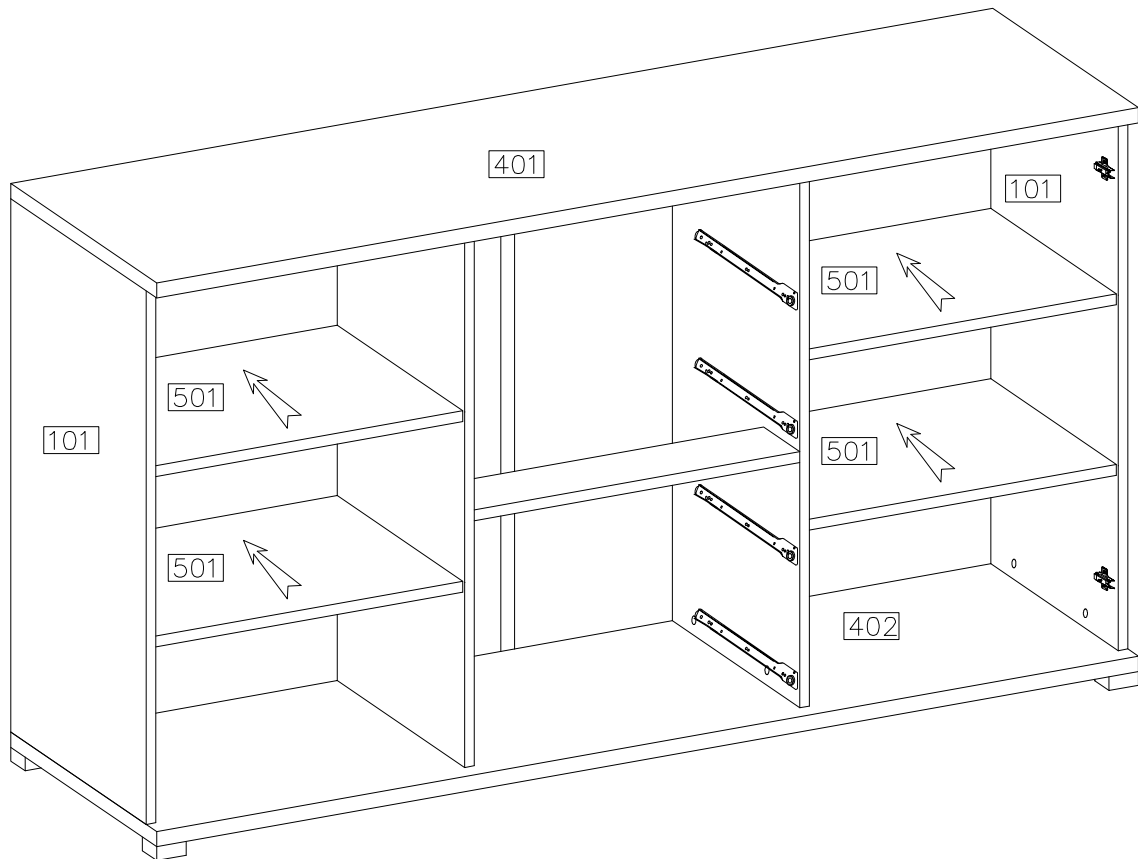


8

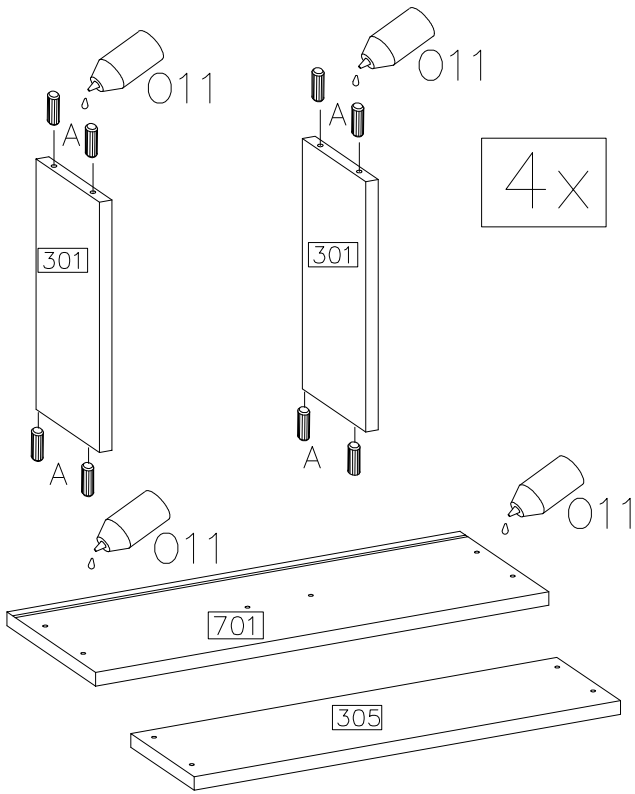
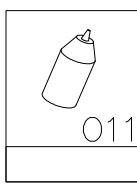
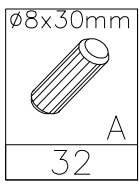
- L-350
- PR
- 4KPL
- 3.5x13mm
- P2
- 16



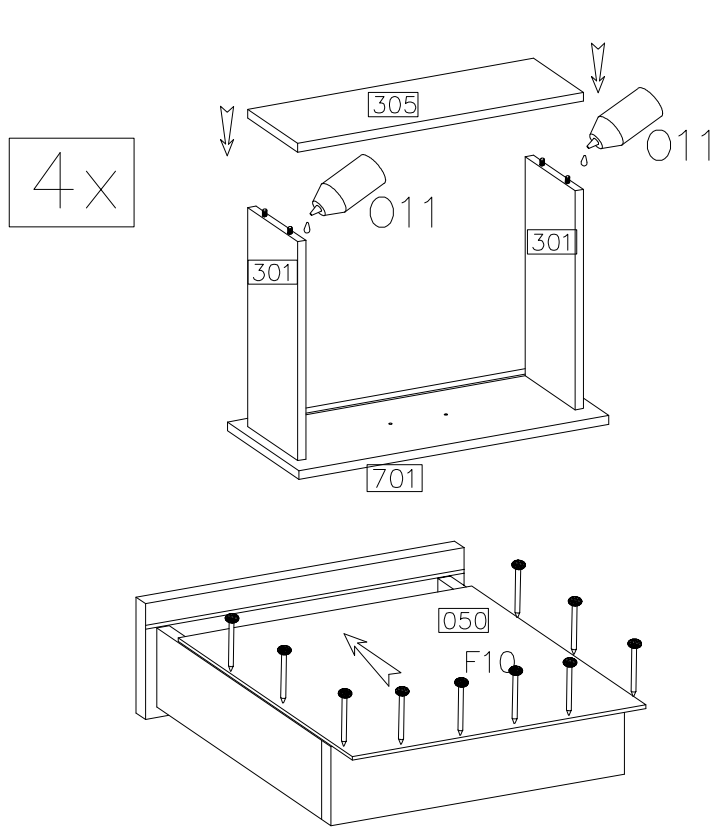
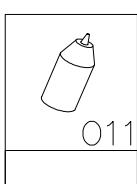
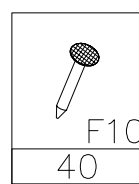
9



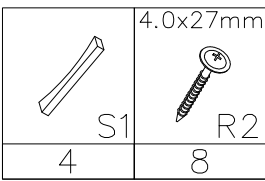
10



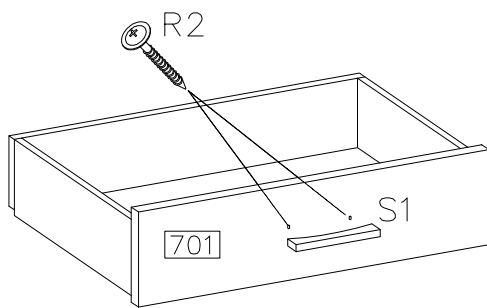
11



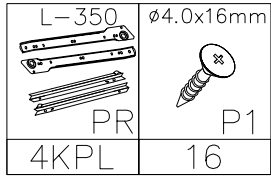
12



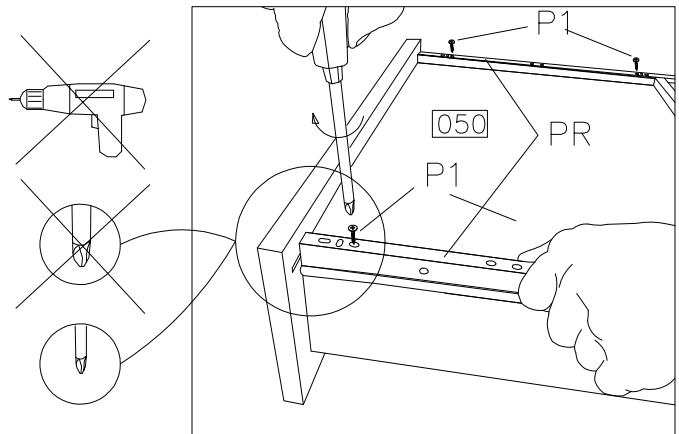
4x



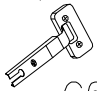

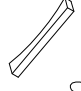

13

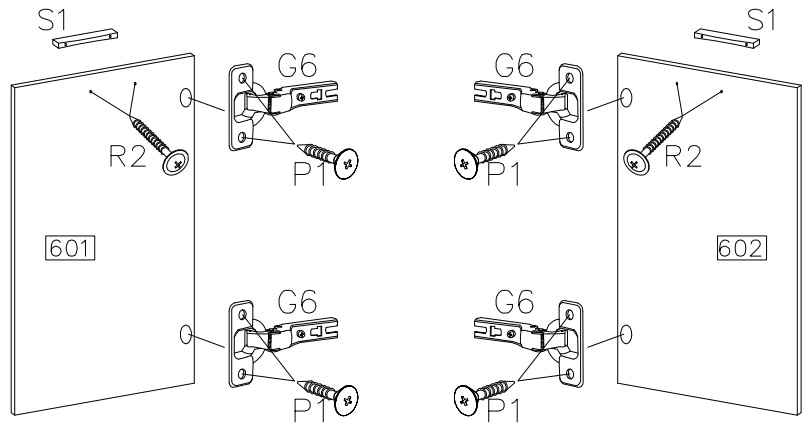


4x



14

 G6 4	 P1 8	 S1 2	 R2 4
---	---	---	---



15

