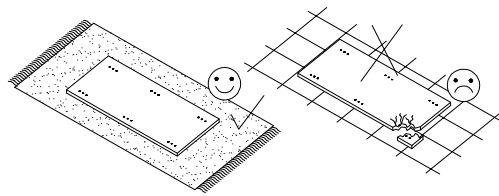
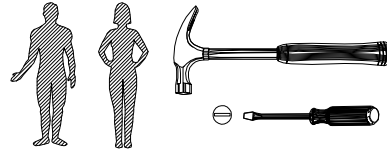
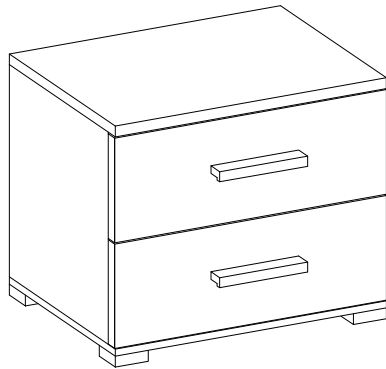
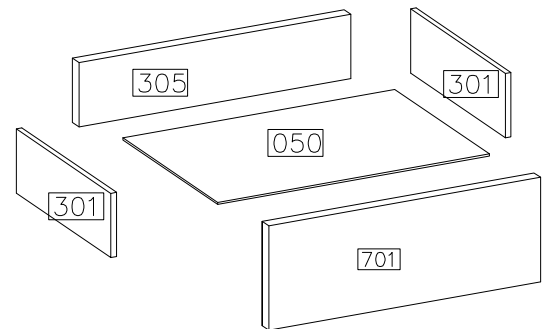
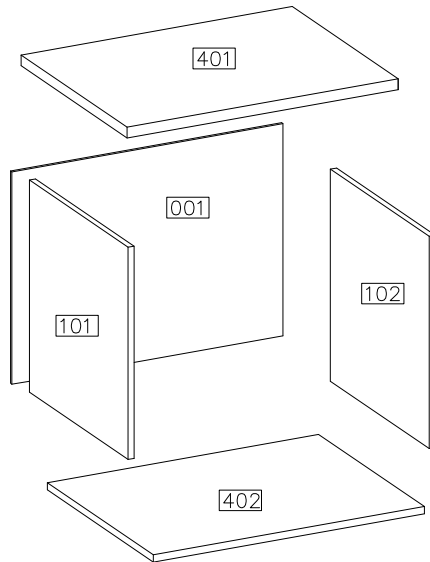
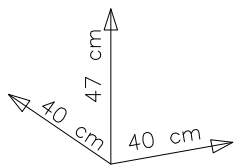





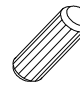


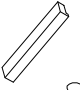


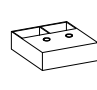
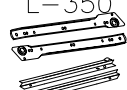


WENECJA

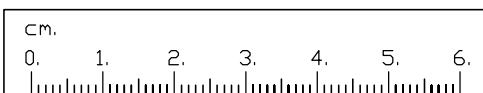
22



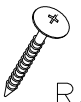
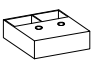
#	ART. NR	QUANTITY
1	401	1
2	402	1
3	101	1
4	102	1
5	701	2
6	301	4
7	305	2
8	050	2
9	001	1

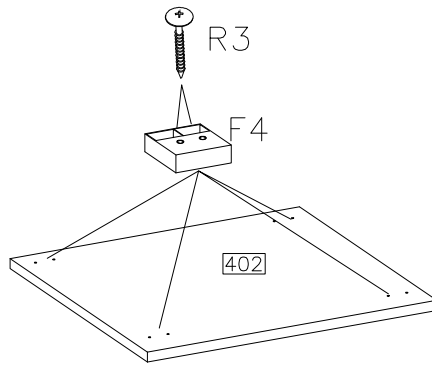


	ø15/12mm 		ø8x30mm 	3.5x13mm 	ø4.0x16mm 		4.0x27mm 
8 D1	8 C	8 E	24 A	8 P2	8 P1	2 S1	4 R2
4.0x35mm 		L-350 					
8 R3	4 F4	2KPL PR	40 F10	2 O11			




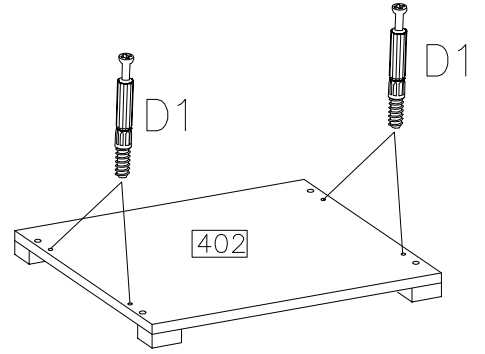
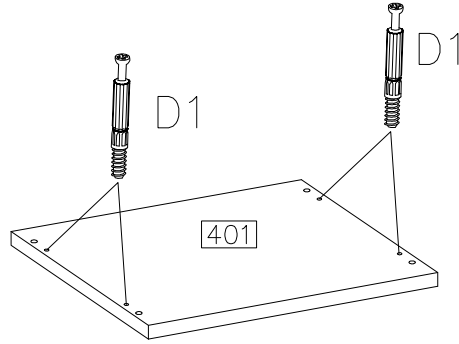
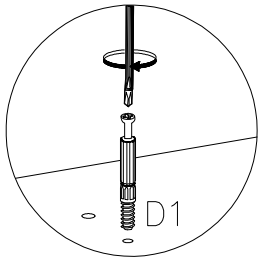
1

4.0x35mm		
	R3	F4
8		4

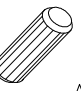



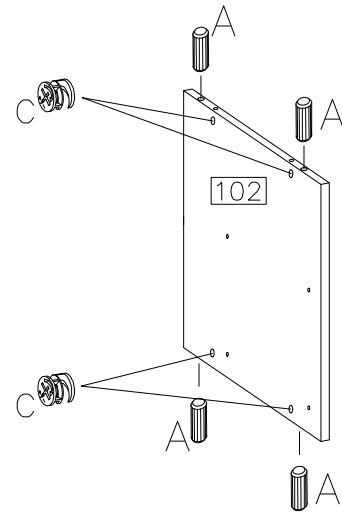
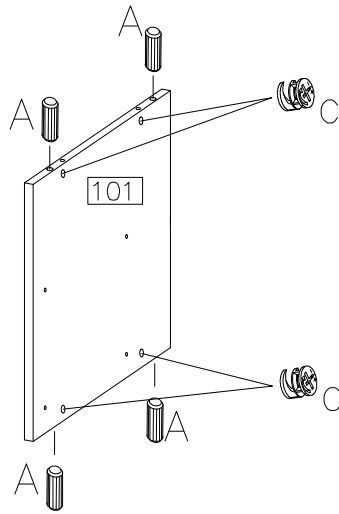
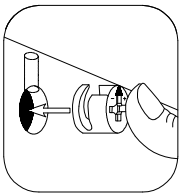
2


D1
8

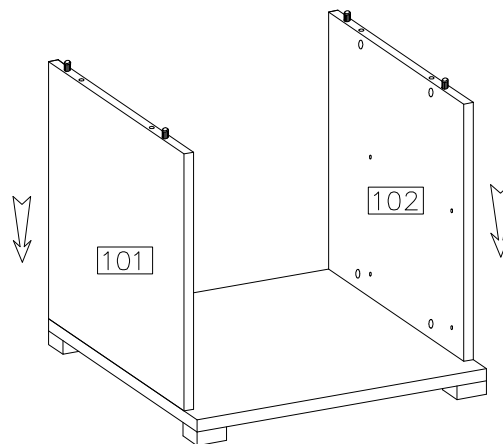
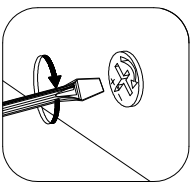


3

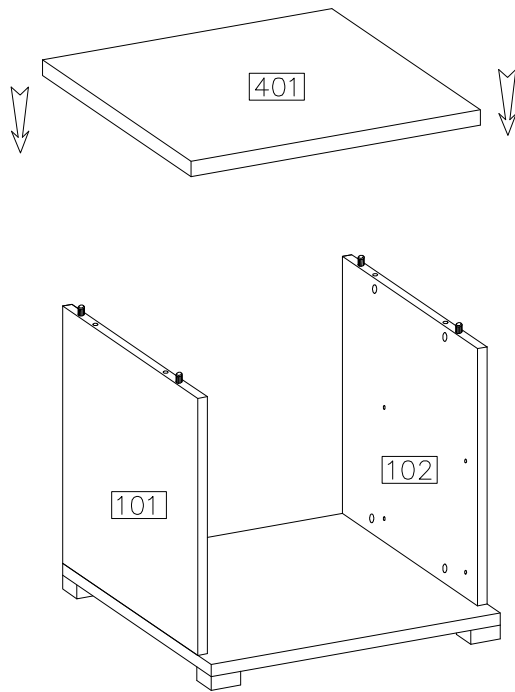
$\varnothing 8 \times 30 \text{mm}$	$\varnothing 15 / 12 \text{mm}$
	
A	C
8	8



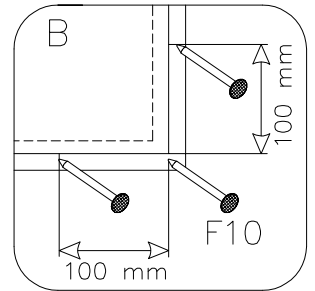
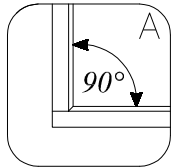
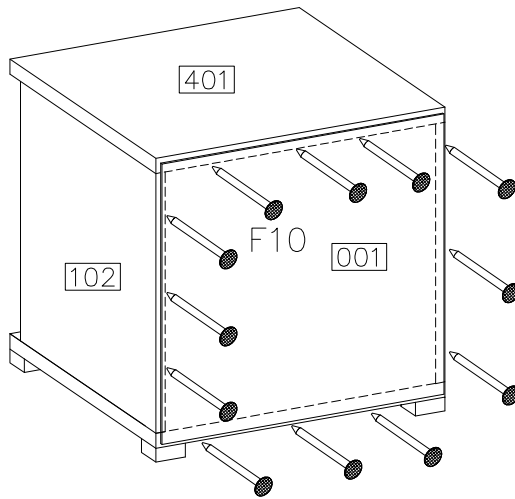
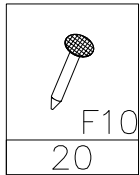
4



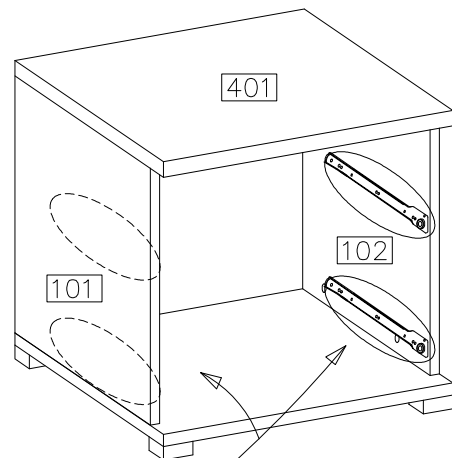
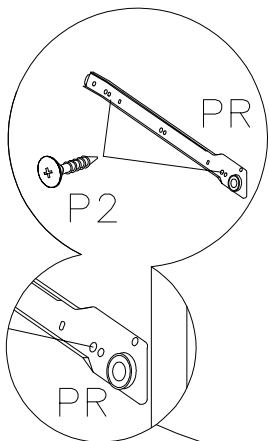
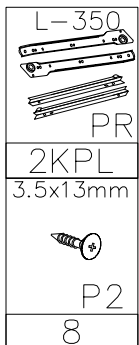
5



6



7



8

∅8x30mm



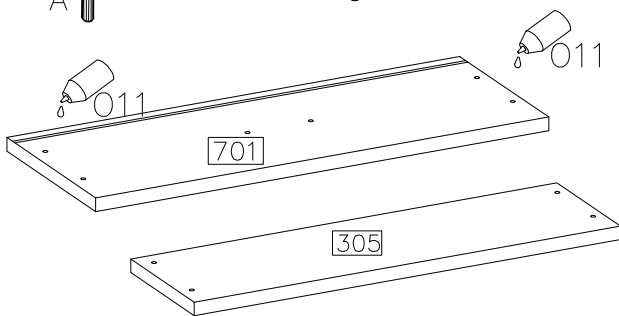
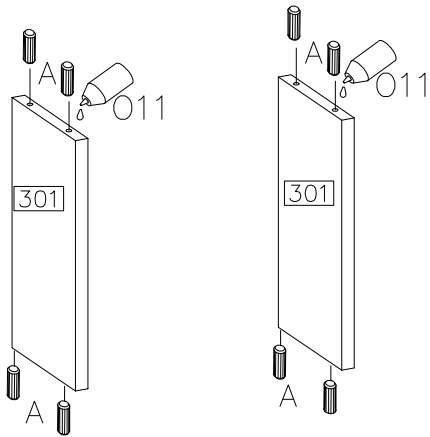
A

16



011

2x



9



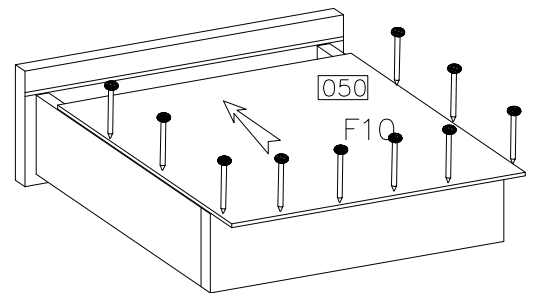
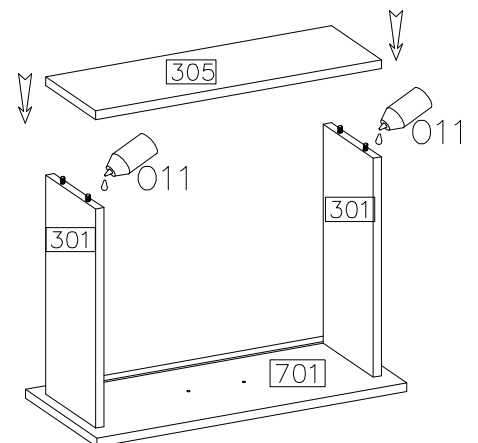
F10

20



011

2x



10



S1

2

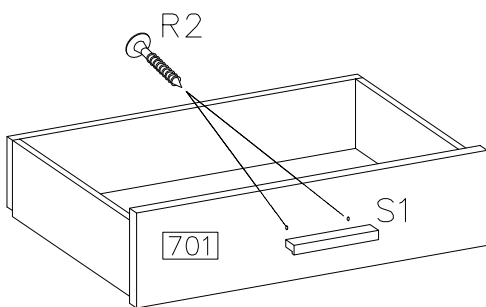
4.0x27mm



R2

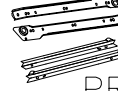
4

2x



11

L-350



PR

2KPL

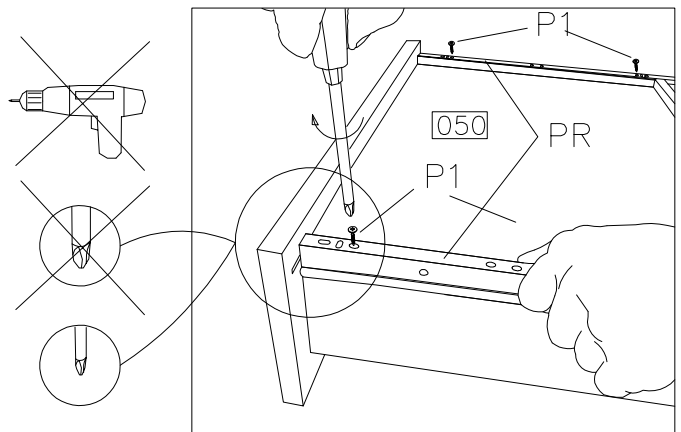
∅4.0x16mm



P1

8

2x



12

