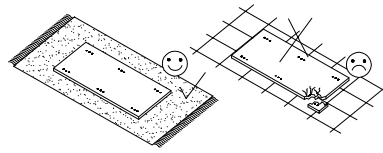
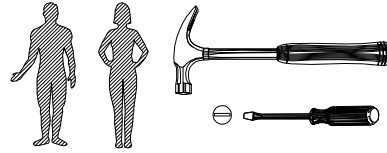
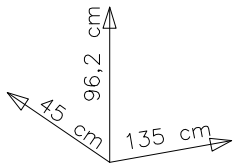
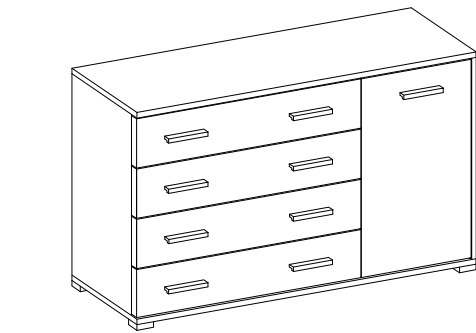
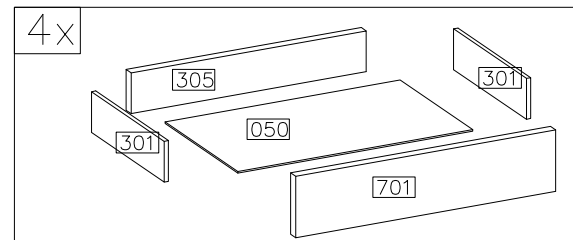
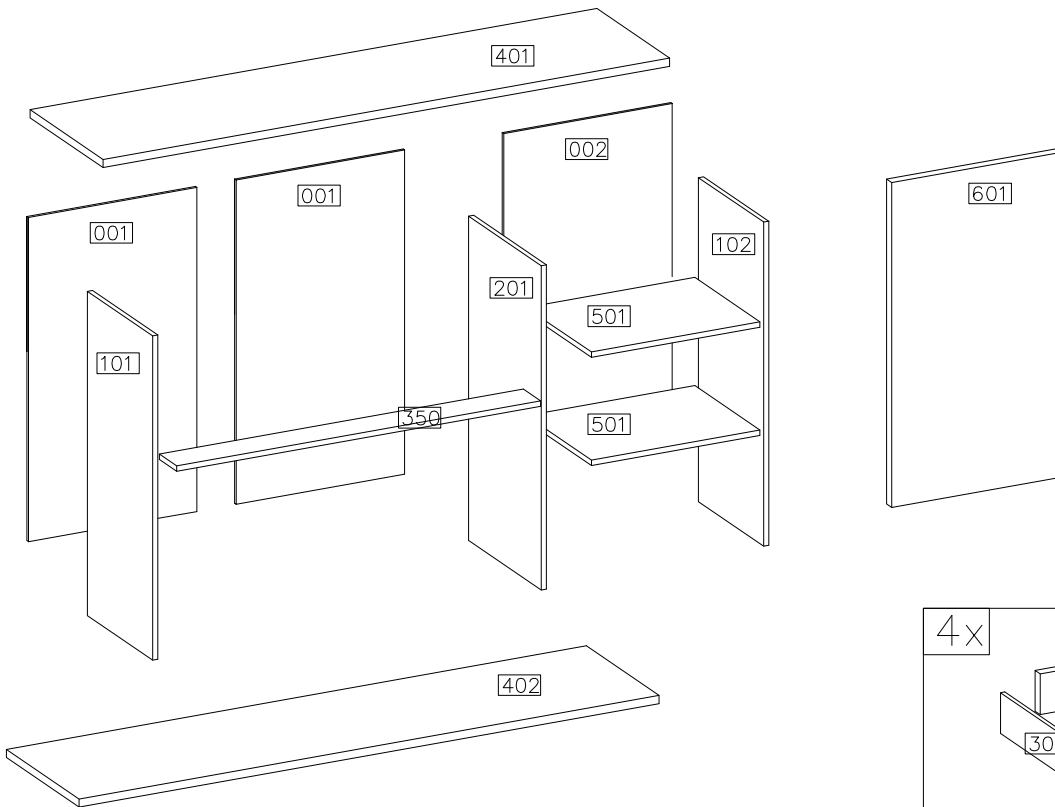


# FRIDA

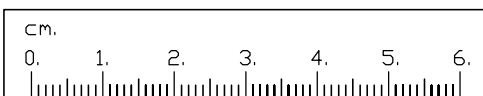
## KOMODA-4S1D 135




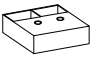
#	ART. NR	QUANTITY
1	401	1
2	402	1
3	101	1
4	102	1
5	201	1
6	601	1
7	501	2
8	701	4
9	301	8
10	305	4
11	050	4
12	001	2
13	002	1
14	350	1

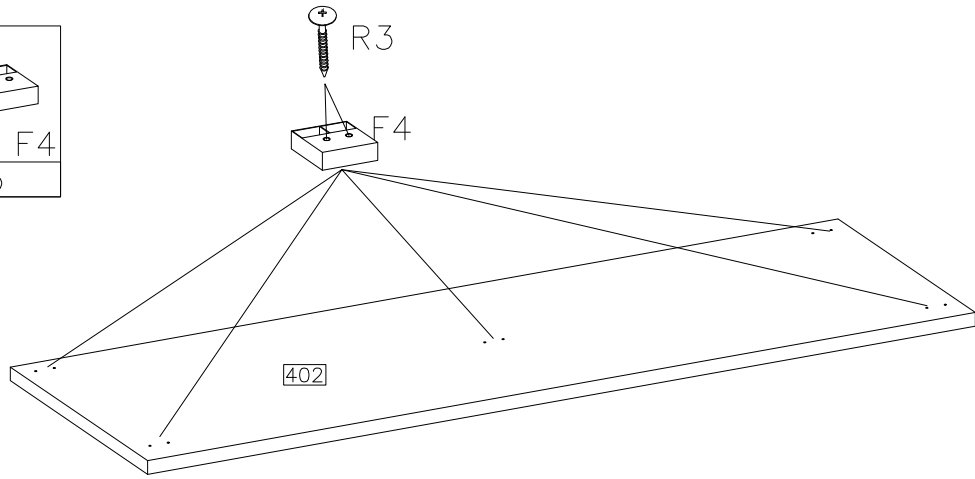


14	14	14	46	20	9	18	16	4	5
10	5	4KPL	8	70	2	2	1		




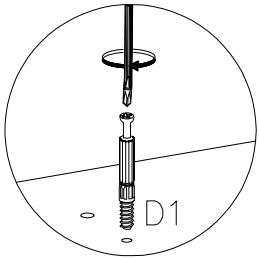
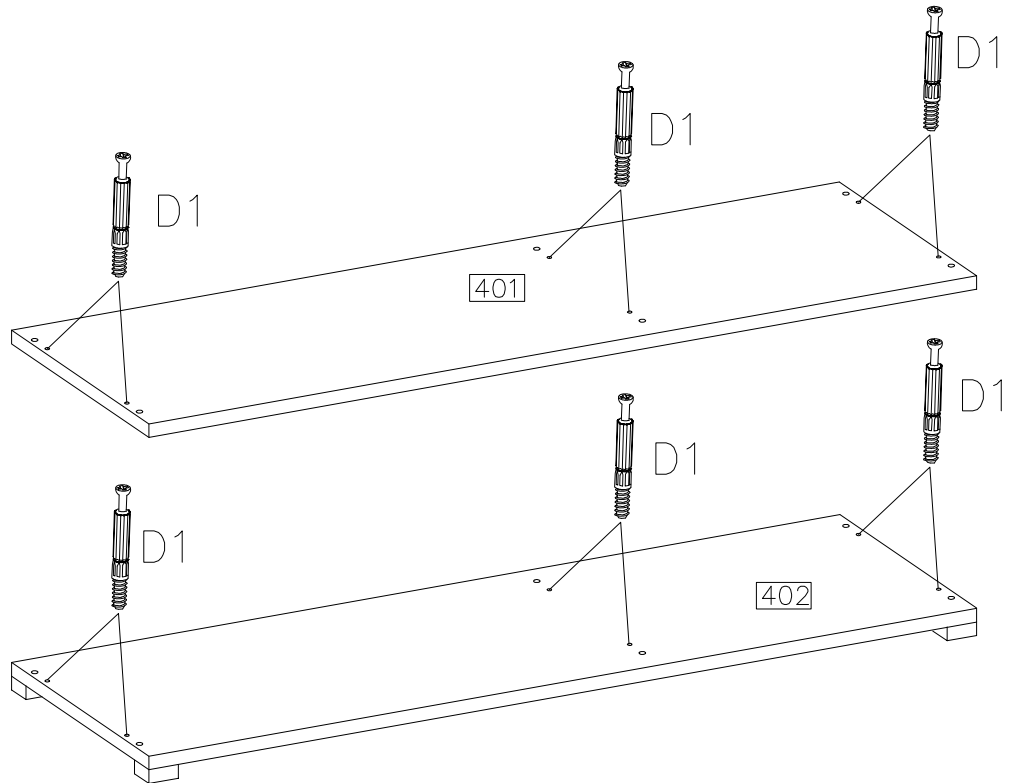
1

4.0x35mm		
	R3	F4
	10	5

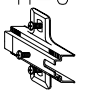





2

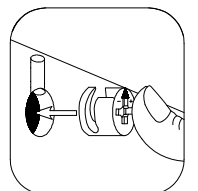
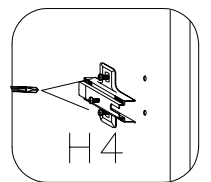
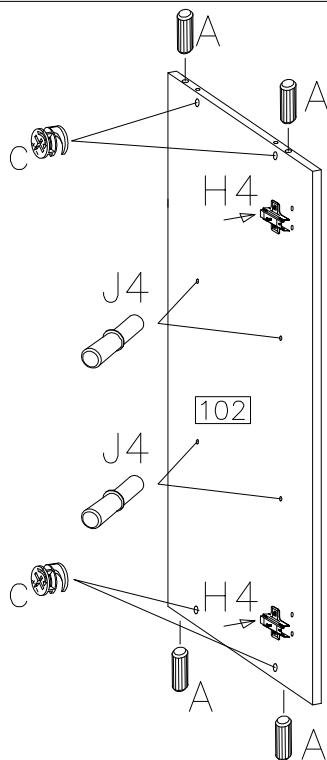
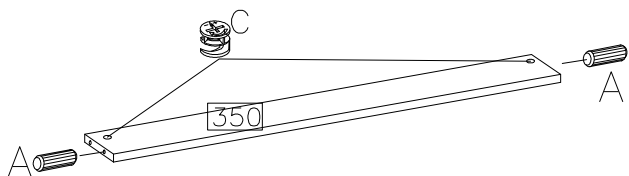

D1
12






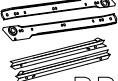

3

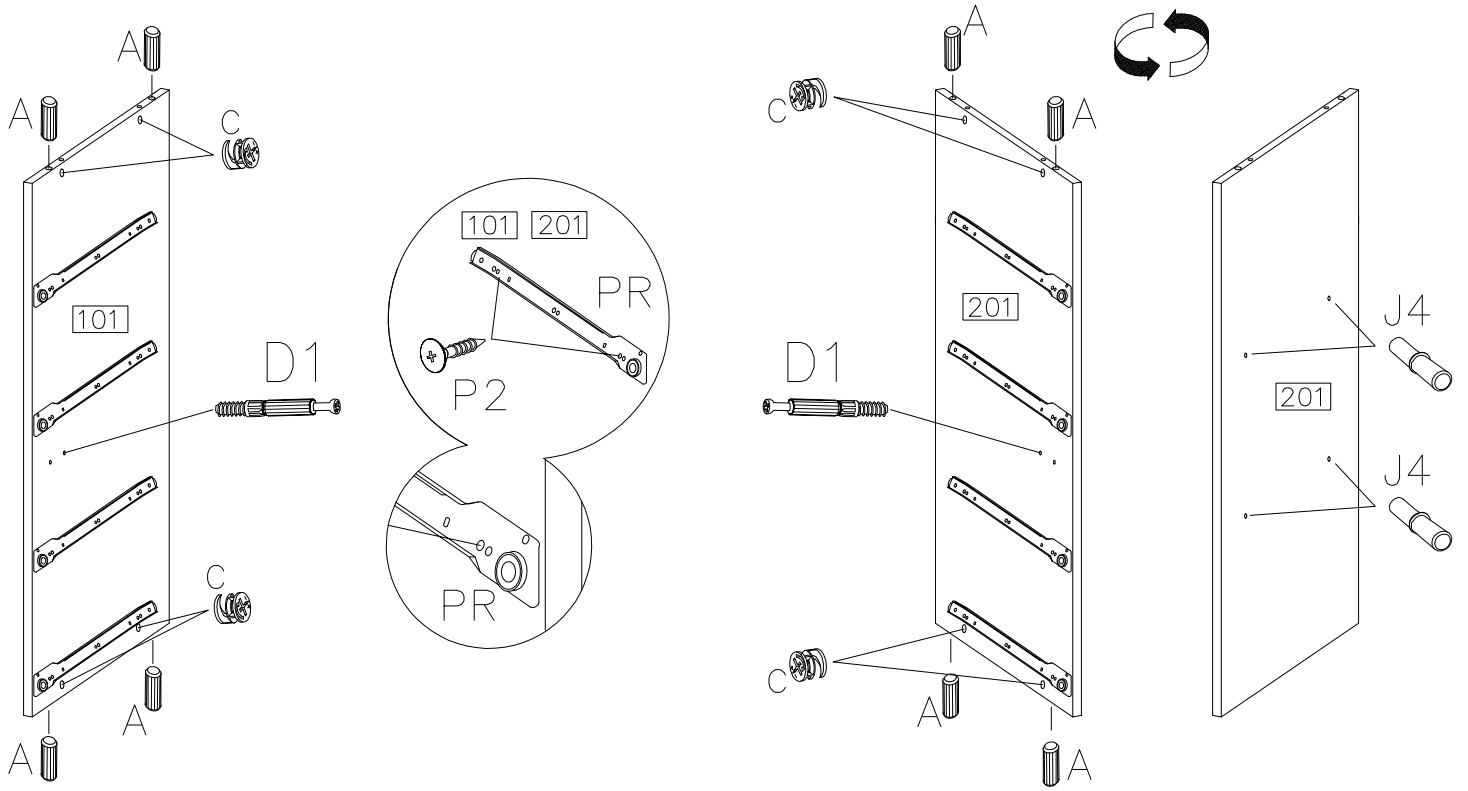
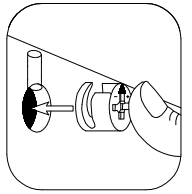
H=0	∅8x30mm	∅15/12mm
		
H4	A	C
2	6	6


J4
4

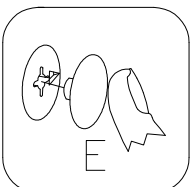
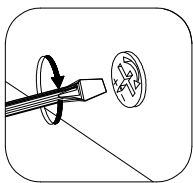
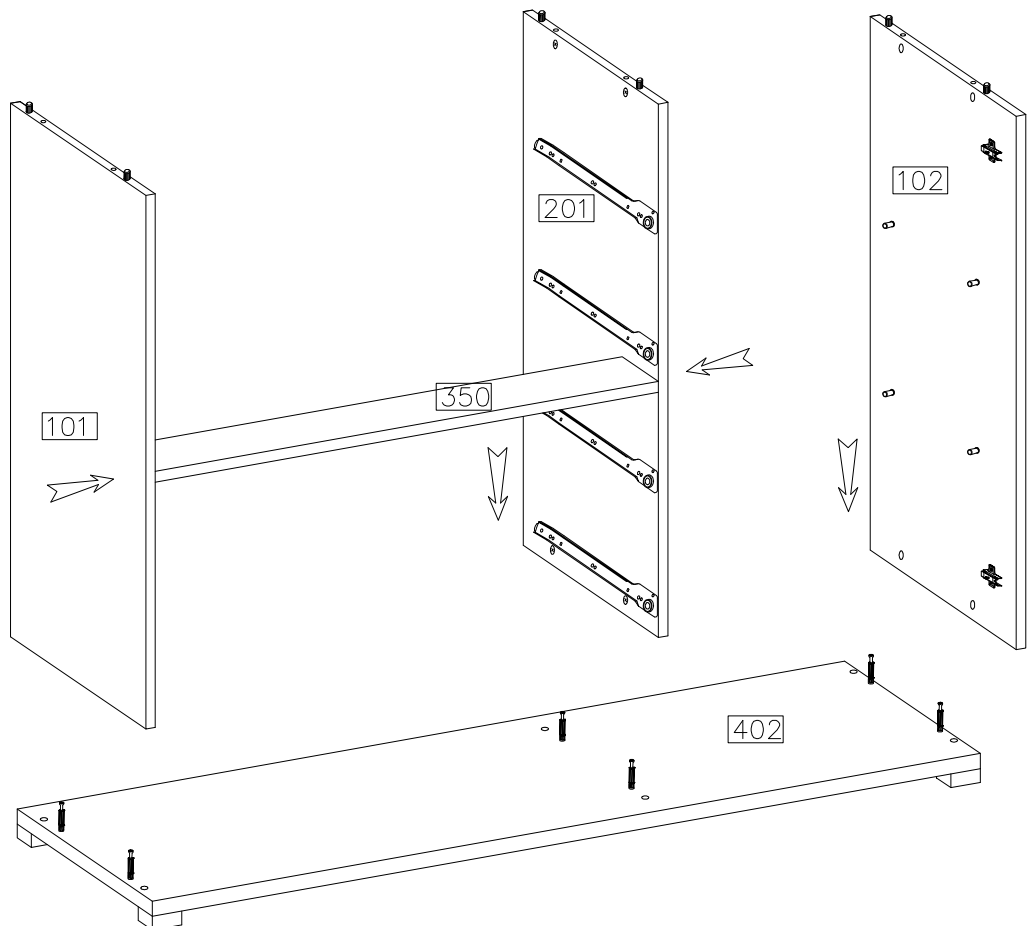
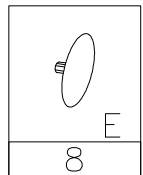


4

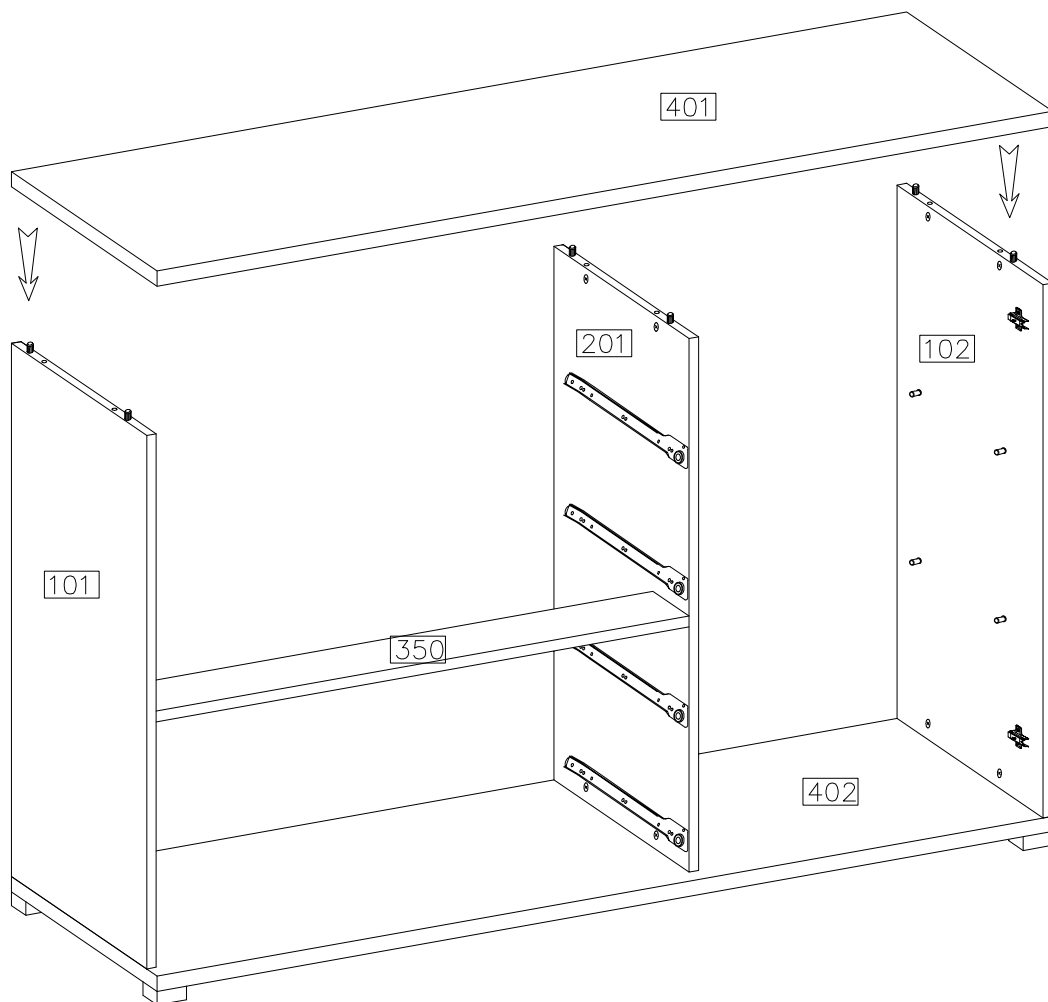
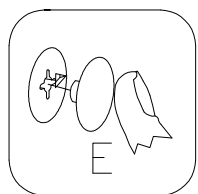
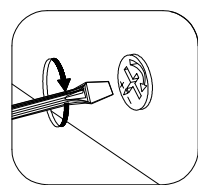
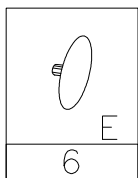
	$\varnothing 15/12\text{mm}$	$\varnothing 8 \times 30\text{mm}$		L-350	$3.5 \times 13\text{mm}$
D1		A	J4		
2	8	8	4	4KPL	16



5

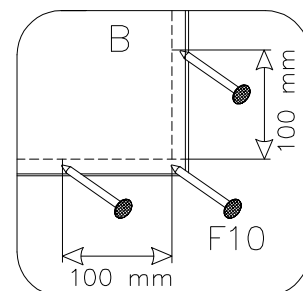
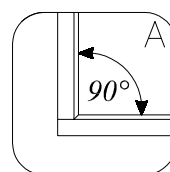
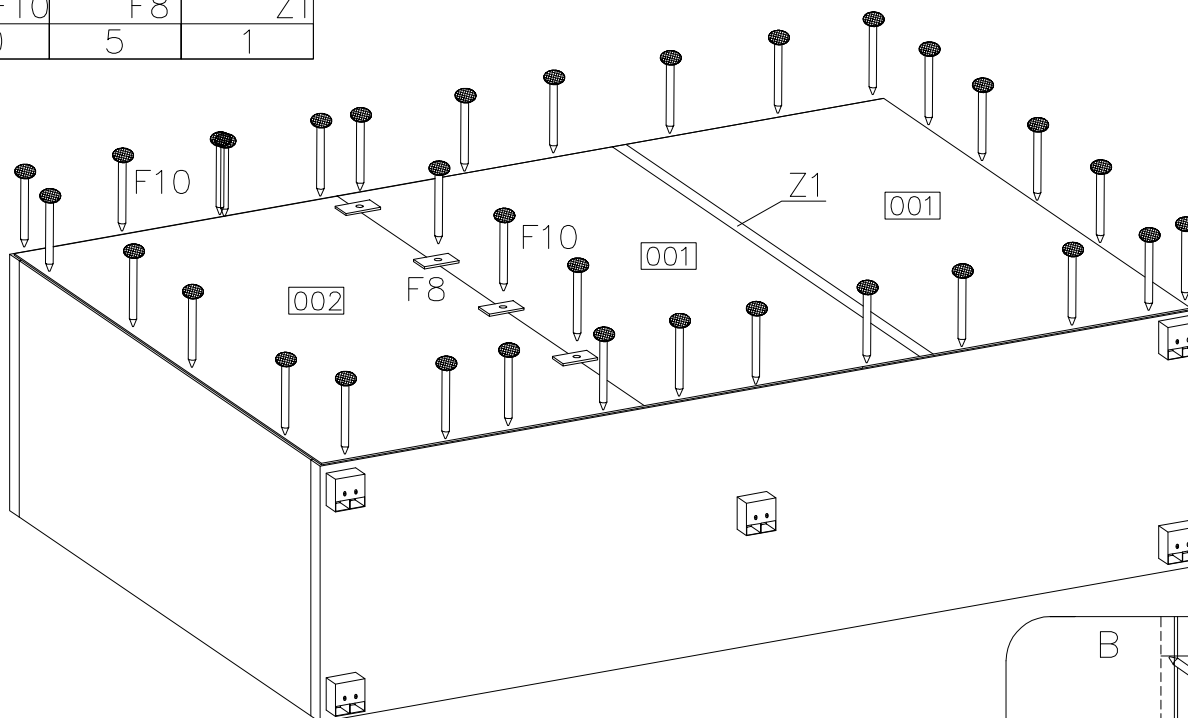
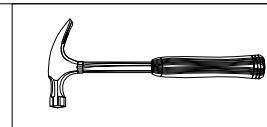


6



7

F10	F8	Z1
30	5	1



8

∅8x30mm



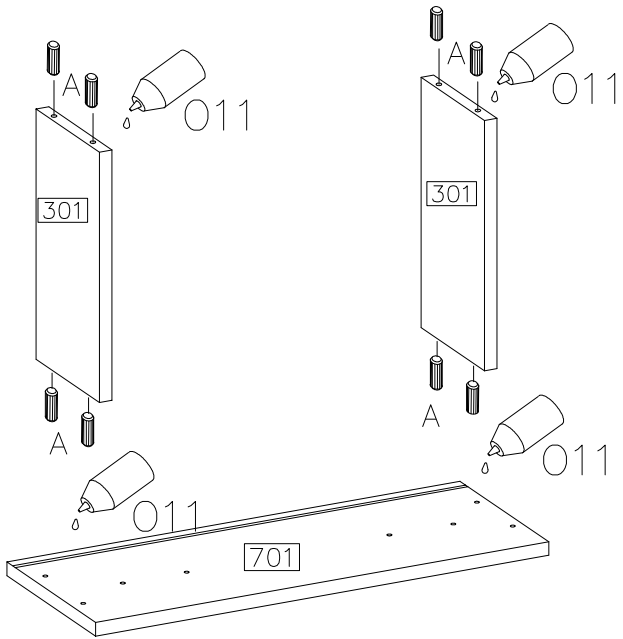
A



O11

32

4x



9



F10

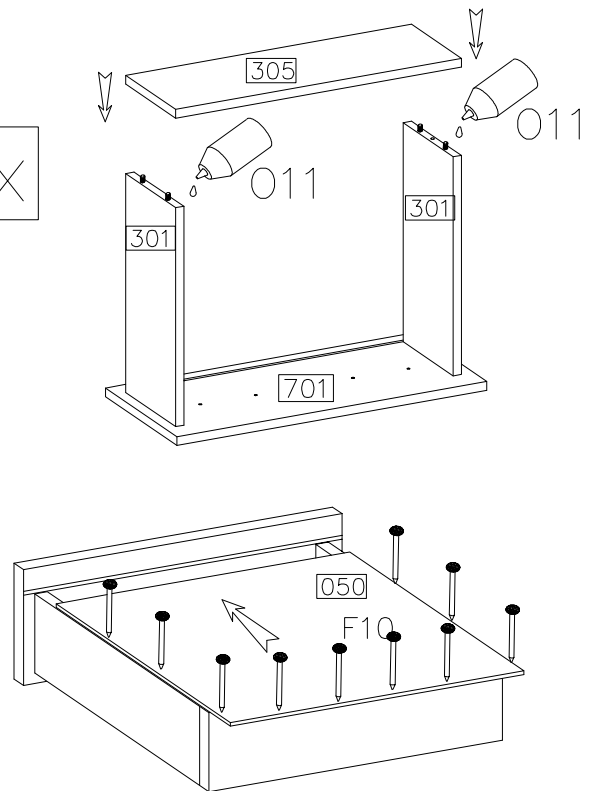


O11

40



4x



10



S1

4.0x27mm

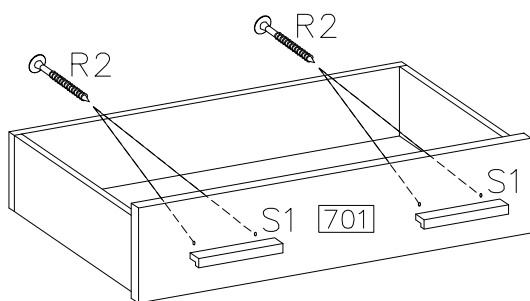


R2

8

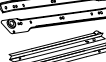
16

4x



11

L-350



PR

4KPL

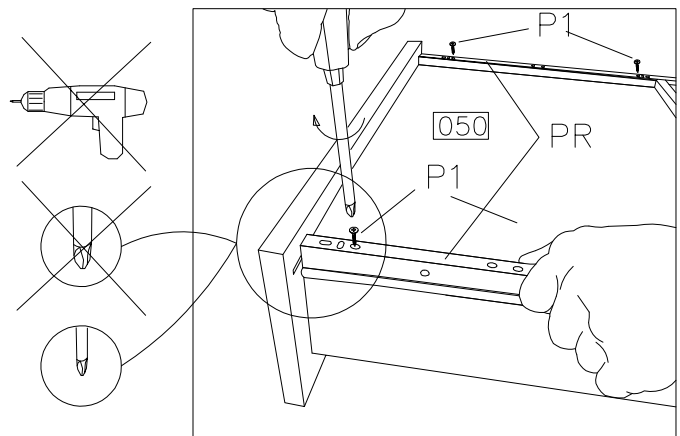
∅4.0x16mm



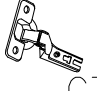


P1

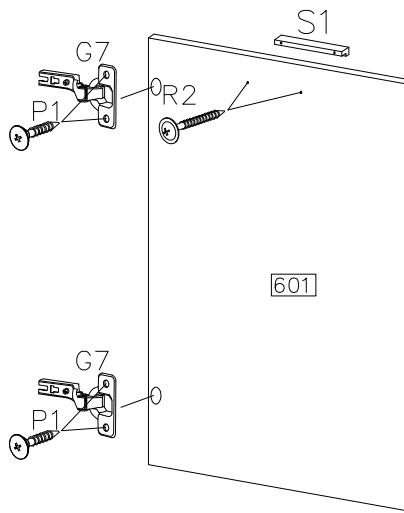
16

4x



12

$\varnothing 35 / KR-15$	$\varnothing 4.0 \times 16 \text{mm}$
	
G7	P1
2	4
	$4.0 \times 27 \text{mm}$
S1	R2
1	2



13

