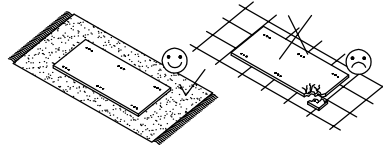
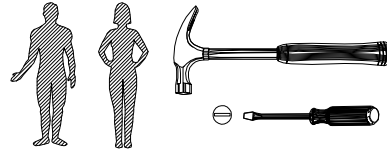
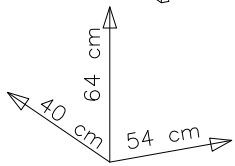
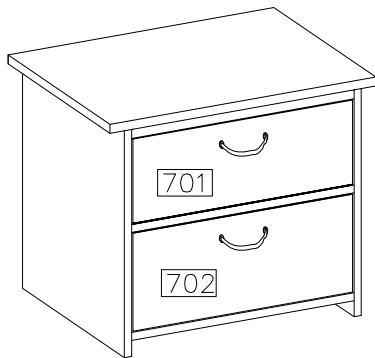
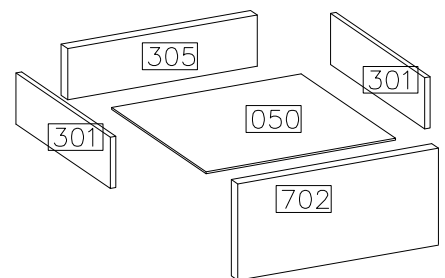
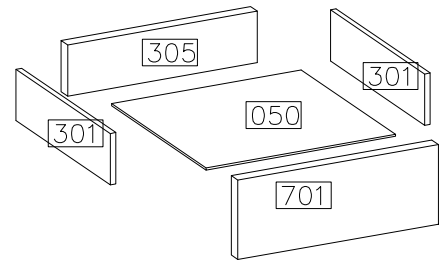
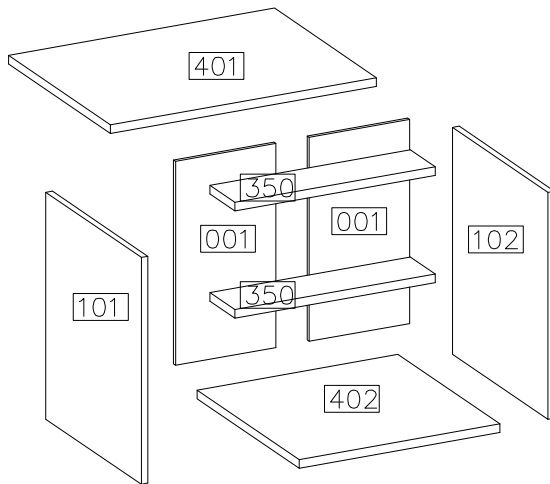


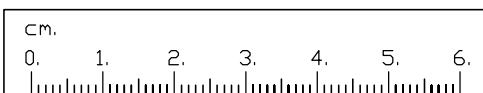
KOSMO 23





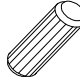
| # | ART. NR | QUANTITY |
|----|---------|----------|
| 1 | 401 | 1 |
| 2 | 402 | 1 |
| 3 | 101 | 1 |
| 4 | 102 | 1 |
| 5 | 350 | 2 |
| 6 | 001 | 2 |
| 7 | 701 | 1 |
| 8 | 702 | 1 |
| 9 | 301 | 4 |
| 10 | 305 | 2 |
| 11 | 050 | 2 |

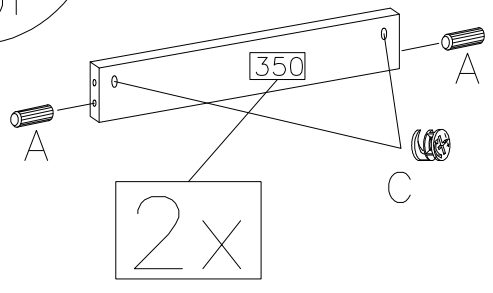
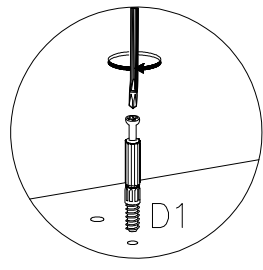
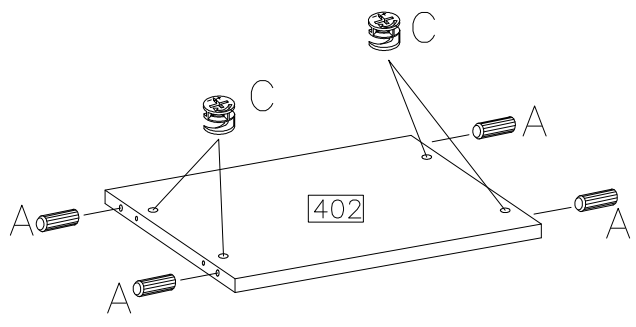
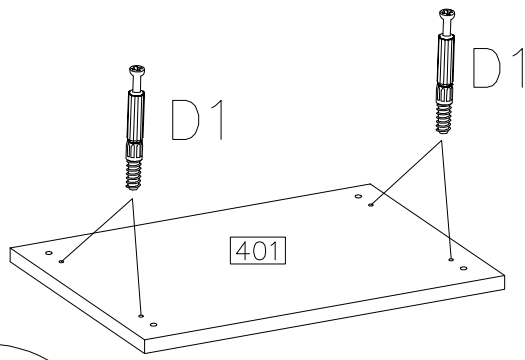


| | | | | | |
|----------|-----------------------|--------------------------------|-----------------------------|-------------------------------|----|
| D1 | $\varnothing 15/12$ C | E | $\varnothing 8 \times 30$ A | $4.0 \times 16 \text{ mm}$ P1 | F1 |
| 20 | 20 | 20 | 28 | 24 | 4 |
| L-350 I4 | F10 | $M4.0 \times 23 \text{ mm}$ R2 | S1 | Z1 | J8 |
| 2SET | 30 | 4 | 2 | 1 | 4 |




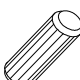


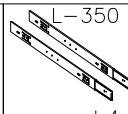

1

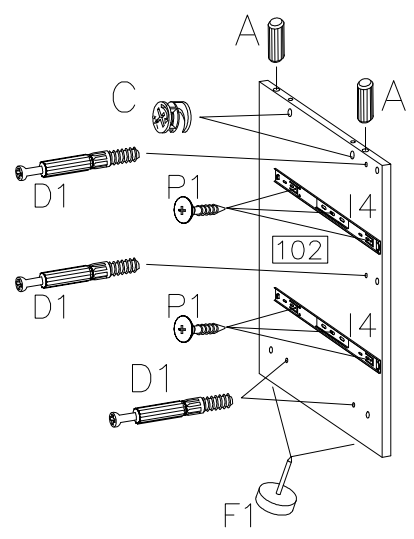
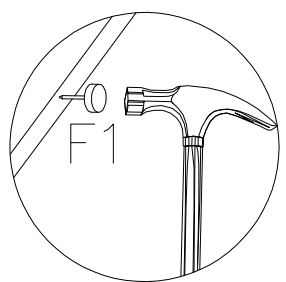
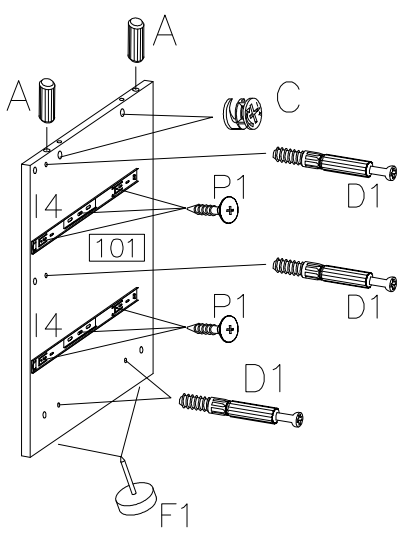
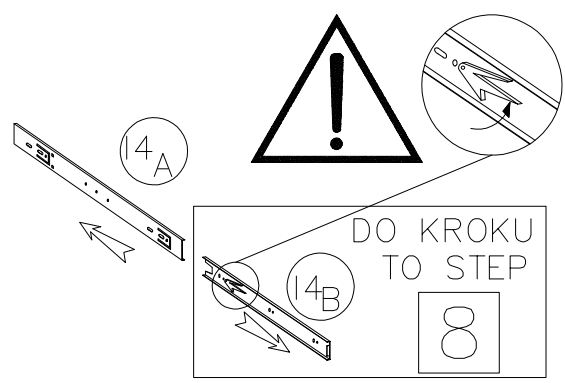
| | | |
|--|---|--|
|  | $\varnothing 15/12$  | $\varnothing 8 \times 30$  |
| D1 | C | A |
| 4 | 8 | 8 |



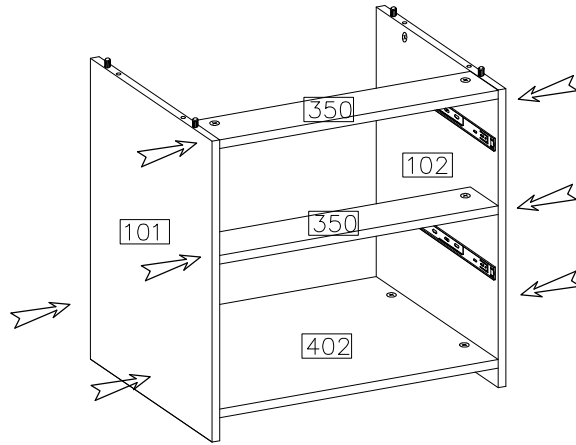
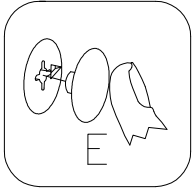
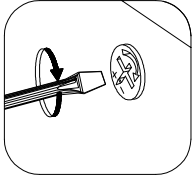
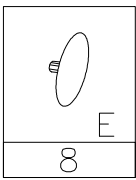
2x

2

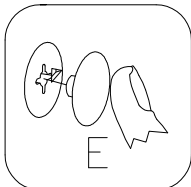
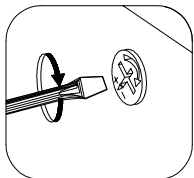
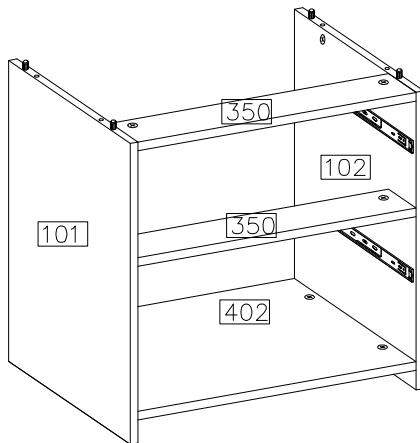
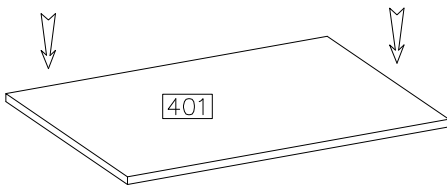
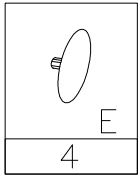
| | | | | | |
|--|--|---|---|---|---|
| $\varnothing 15/12$  | $\varnothing 8 \times 30$  |  |  | L-350  | 4.0x16mm  |
| C | A | D1 | F1 | I4 | P1 |
| 4 | 4 | 8 | 4 | 2SET | 12 |



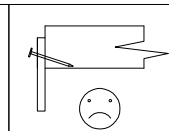
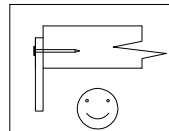
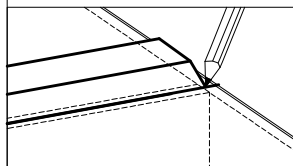
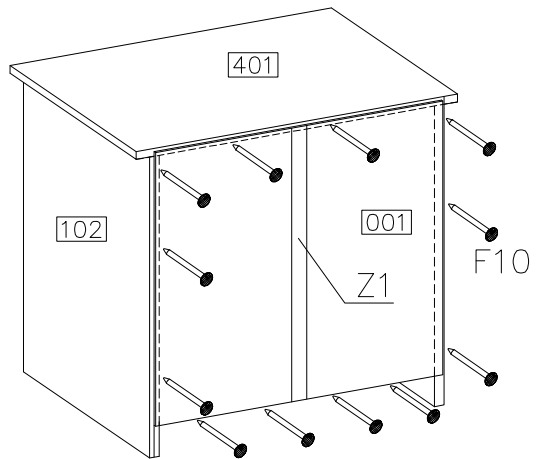
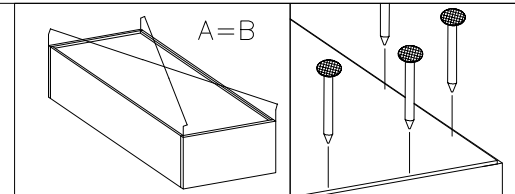
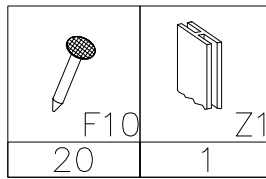
3



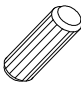


4



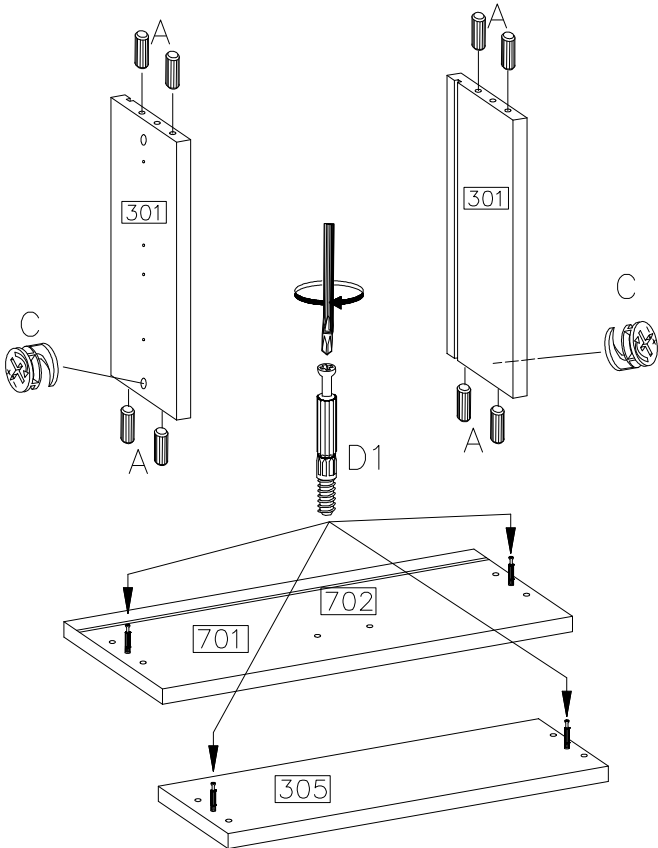
5





6

| | | |
|---|--|---|
|  A |  D1 |  C |
| 16 | 8 | 4 |

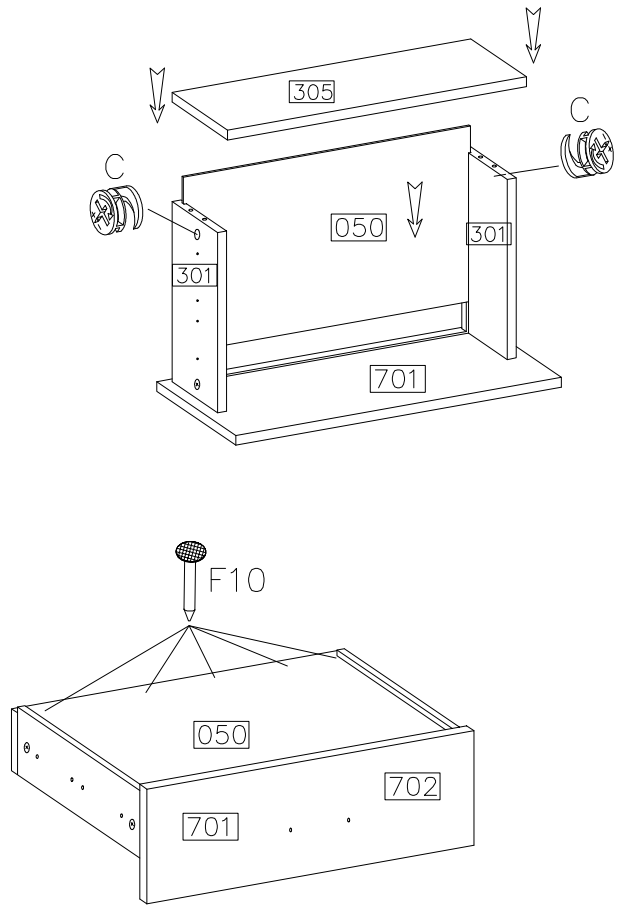
2x






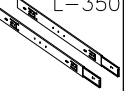

7

| |
|--|
|  F10 |
| 10 |
|  C |
| 4 |

2x



8

| | | |
|--|---|---|
|  R2 |  S1 |  J8 |
| 4 | 2 | 4 |
|  L-350 |  P1 | |
| 14 | 12 | |
| 2SET | | |

2x

