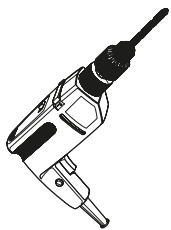
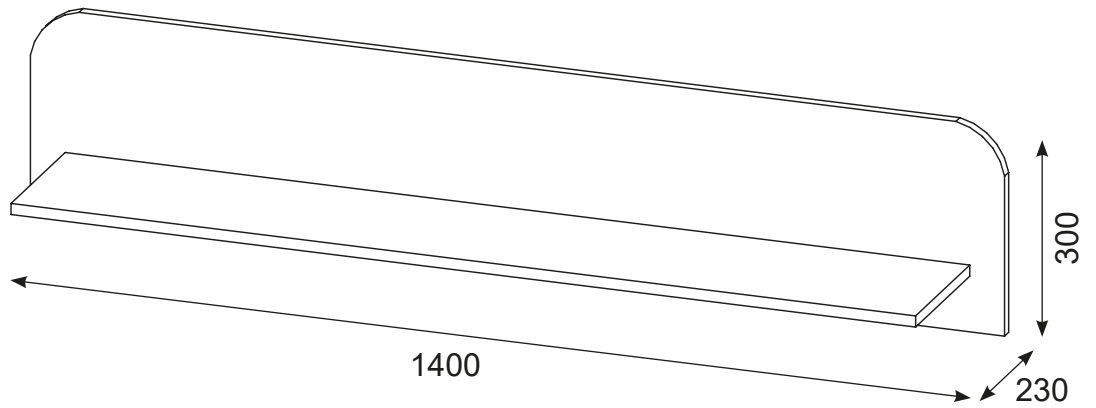
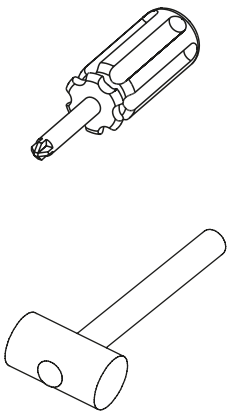
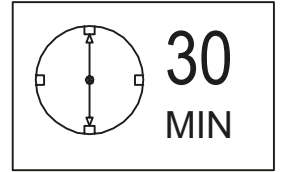
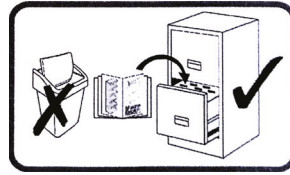
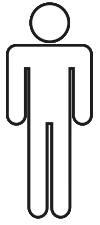
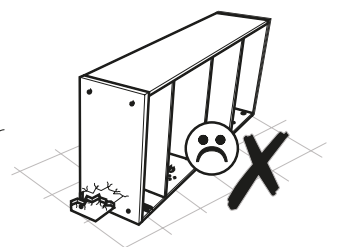
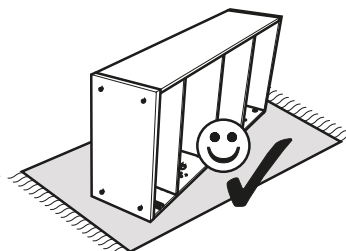
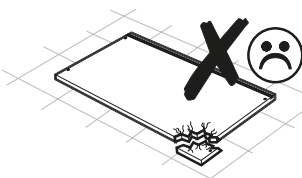
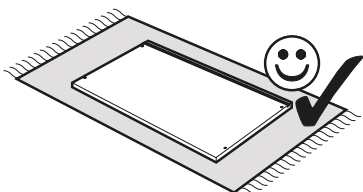





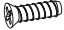

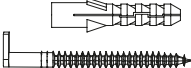

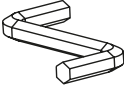
YOLK

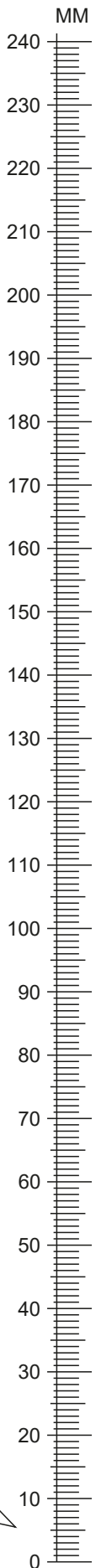


Ø10



YOLK

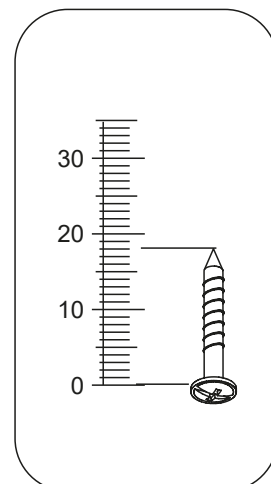
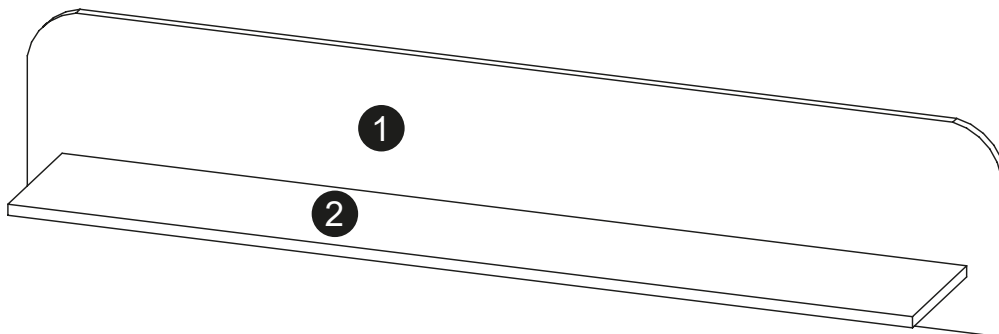
A0 8x30  x4	B0  x4	B2 7 x 70 mm  x4
D21 EURO 5 x11 mm  x4	M2  x2	E5 10 x 50 mm 6 x 55 mm  x2
U0  x2	Z  x1	



max.







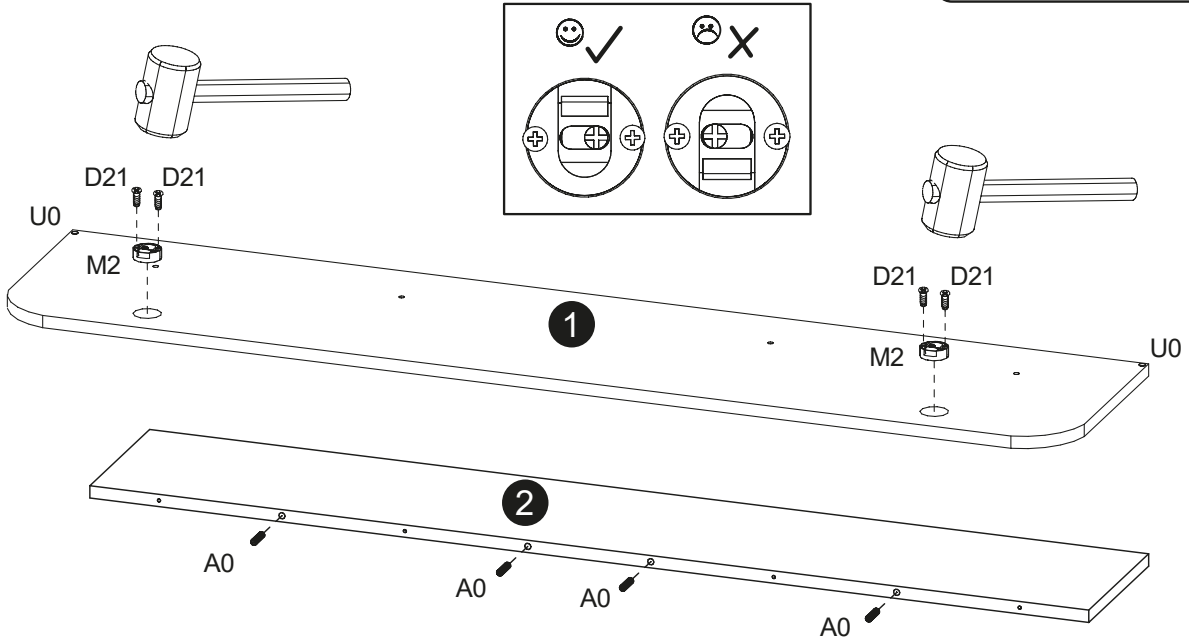
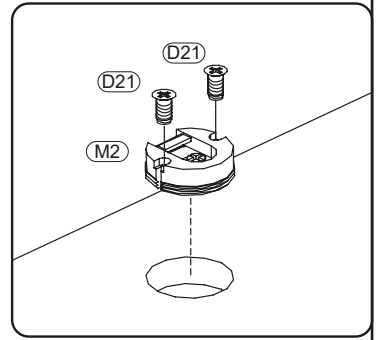
2




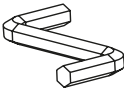

Colli 1/1: **1 2**

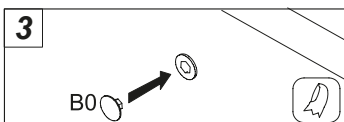
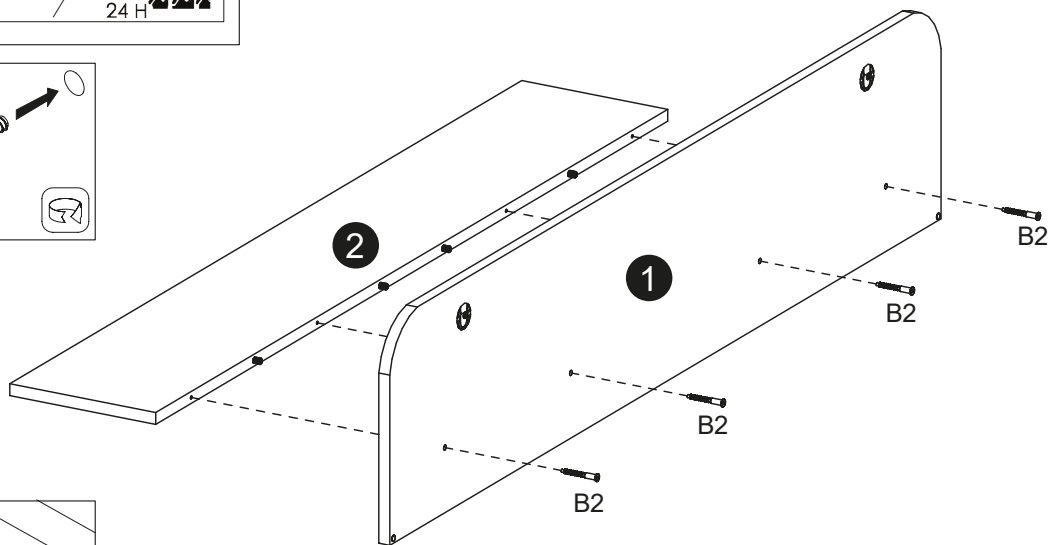
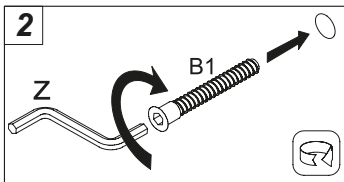
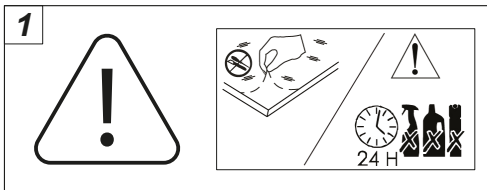
1

A0 8x30 	D21 EURO 5 x11 mm 
M2 	U0 
x4	x4
x2	x2



2

B2 7 x 70 mm 	Z 	B0 
x4	x1	x4



3

