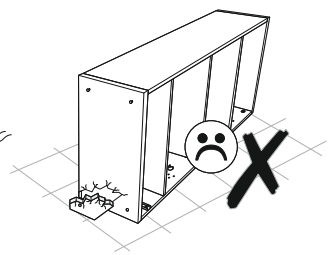
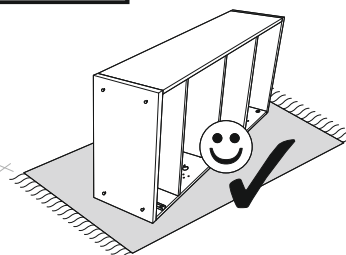
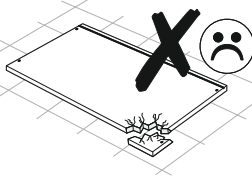
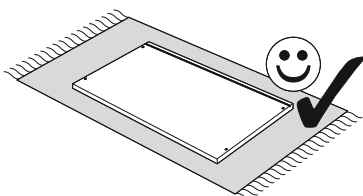
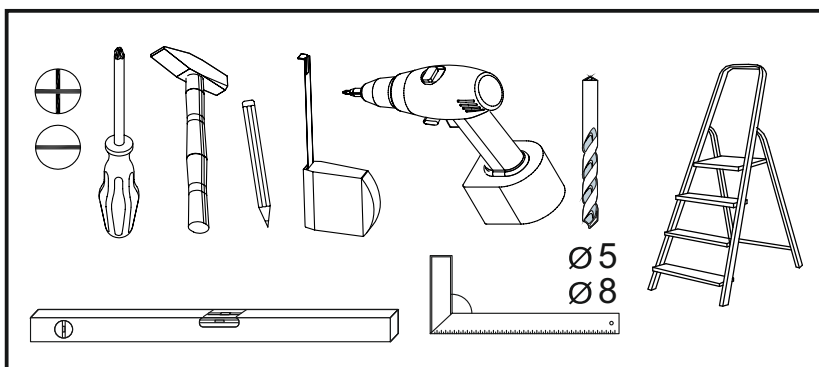
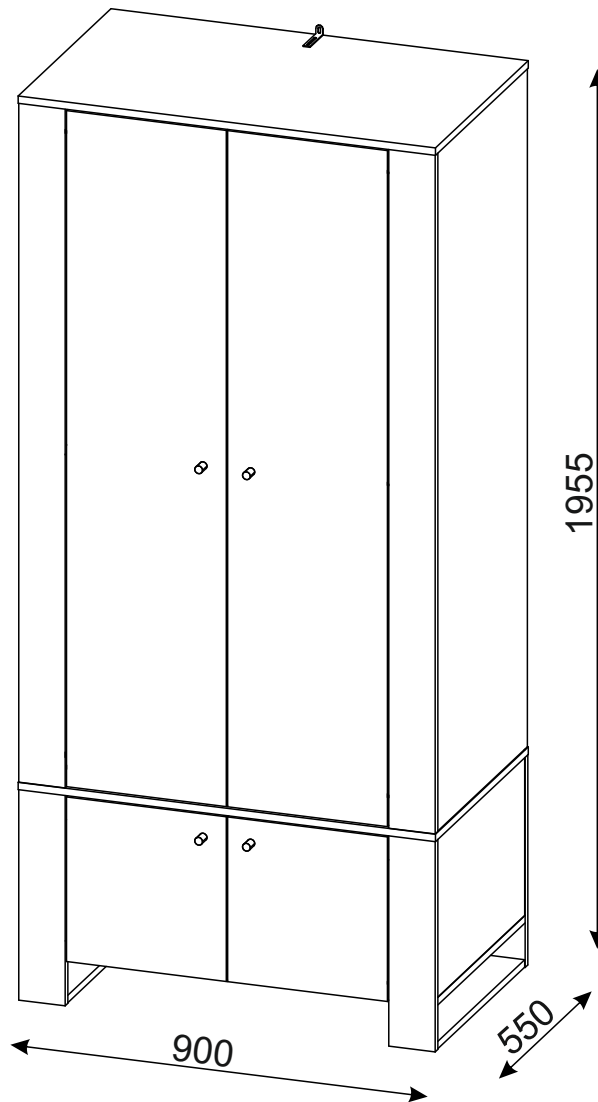
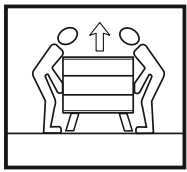
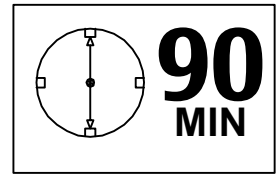
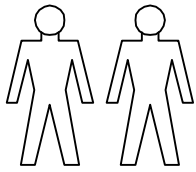










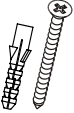











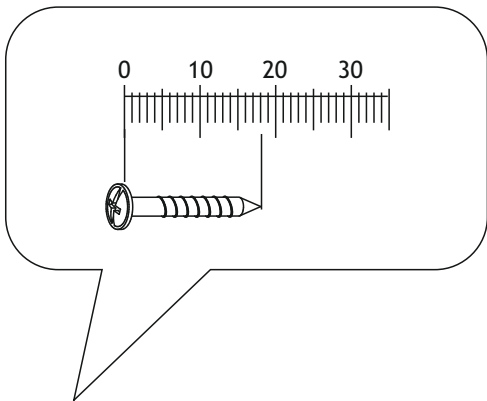


# Wohnen WOOD Wardrobe 4D

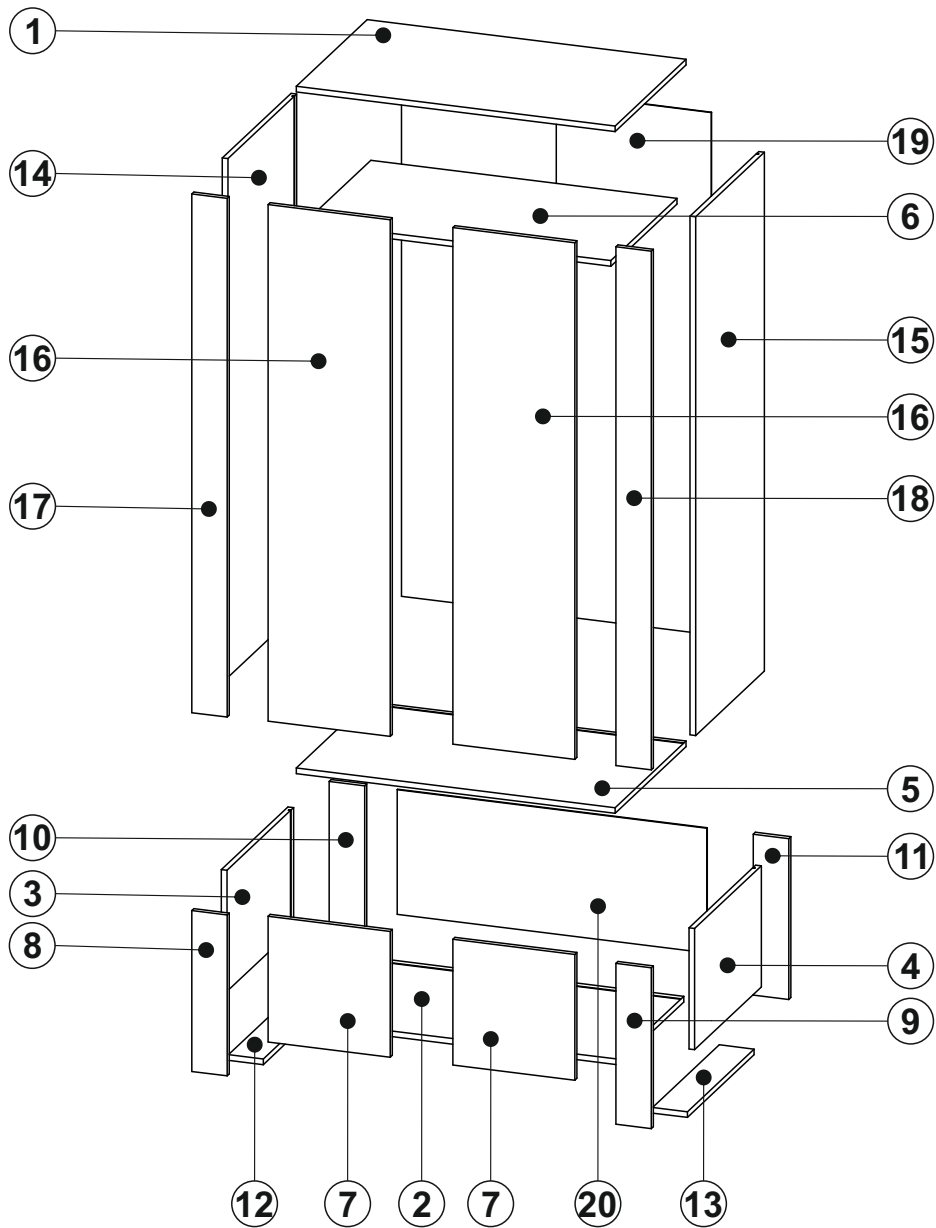


# Wohnen WOOD Wardrobe 4D

<b>A0</b>  ø8x30 <b>x36</b>	<b>A1</b>  ø8x50 <b>x6</b>	<b>B1</b>  ø7x50 <b>x20</b>	<b>C0</b>  <b>x26</b>	<b>C0</b>  <b>x2</b>	<b>C2</b>  <b>x32</b>	<b>C7</b>  16mm <b>x32</b>	<b>D0</b>  3x15 <b>x26</b>	<b>D4</b>  3,5x18 <b>x6</b>	<b>D5</b>  3,5x16 <b>x24</b>	<b>E0</b>  8x50 <b>x1</b>
<b>H2</b>  4x22 <b>x4</b>	<b>J26</b>  <b>x10</b>	<b>J27</b>  H=4 <b>x10</b>	<b>K</b>  4mm <b>x1</b>	<b>L44</b>  <b>x4</b>	<b>M1</b>  <b>x24</b>	<b>O8</b>  <b>x2</b>	<b>P0</b>  <b>x1</b>	<b>S0</b>  860mm <b>x1</b>	<b>T3</b>  <b>x8</b>	<b>U0</b>  <b>x4</b>




# Wohnen WOOD Wardrobe 4D

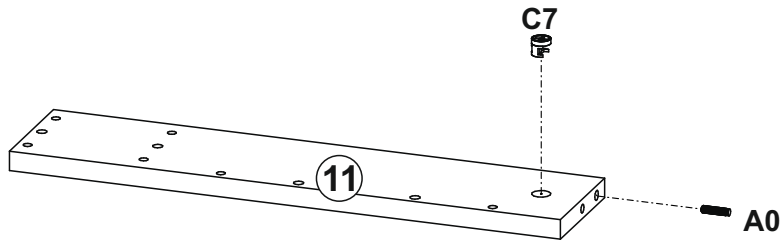


①	900	550	16	x1	1/2
②	898	517	16	x1	1/2
③	342	517	16	x1	1/2
④	342	517	16	x1	1/2
⑤	900	550	16	x1	1/2
⑥	864	513	16	x1	1/2
⑦	355	344,5	16	x2	1/2

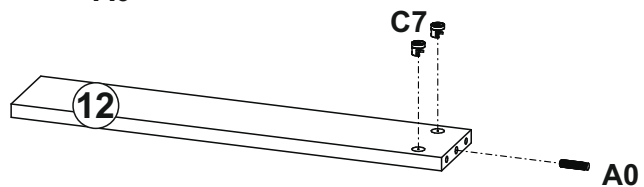
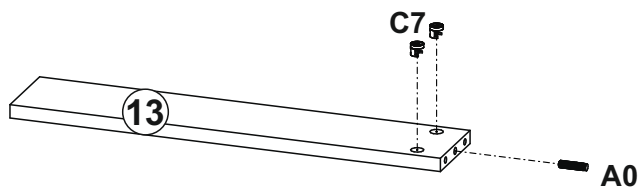
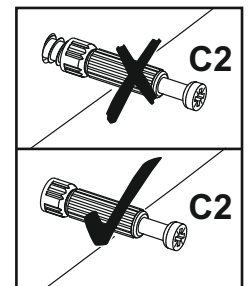
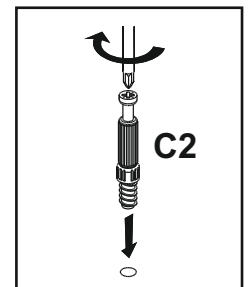
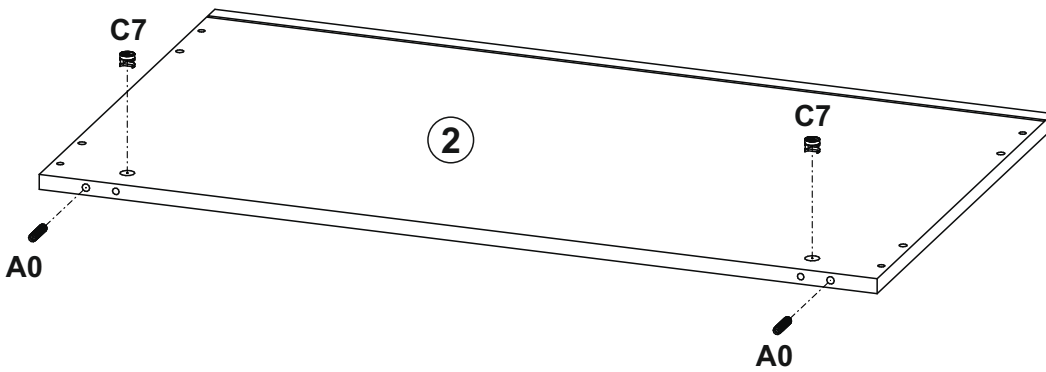
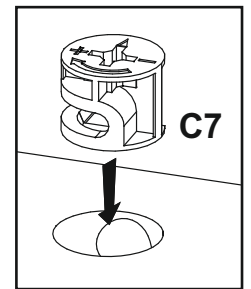
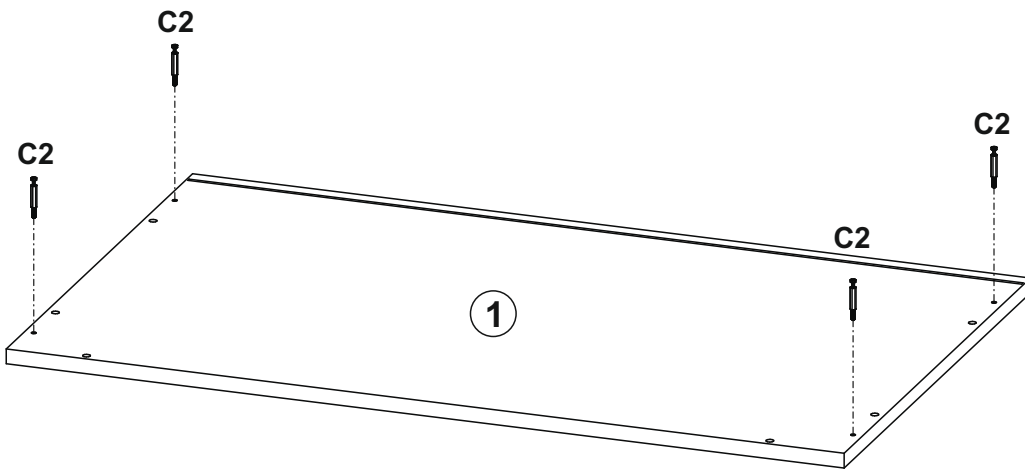
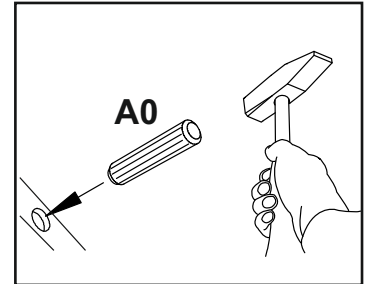
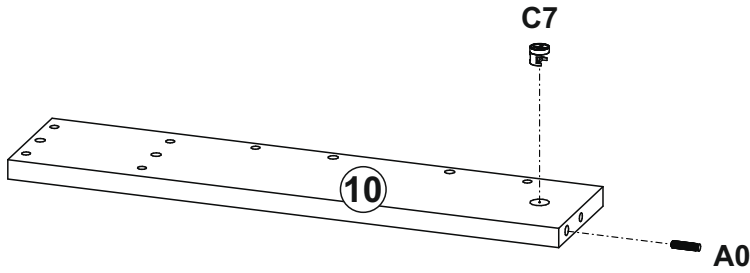
⑧	454	100	16	x1	1/2
⑨	454	100	16	x1	1/2
⑩	454	100	16	x1	1/2
⑪	454	100	16	x1	1/2
⑫	517	98	16	x1	1/2
⑬	517	98	16	x1	1/2
⑭	1464	533	16	x1	2/2

⑮	1464	533	16	x2	2/2
⑯	1458	344,5	16	x2	2/2
⑰	1464	100	16	x1	2/2
⑱	1464	100	16	x1	2/2
⑲	1474	437	3	x2	2/2
⑳	352	874	3	x1	2/2
					1/2

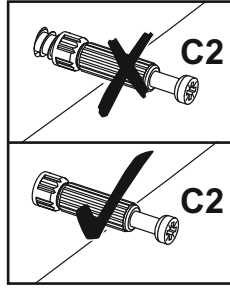
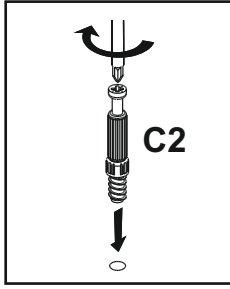
# 1



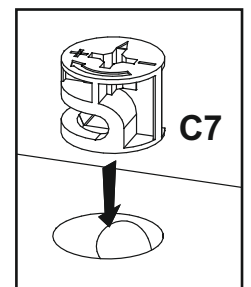
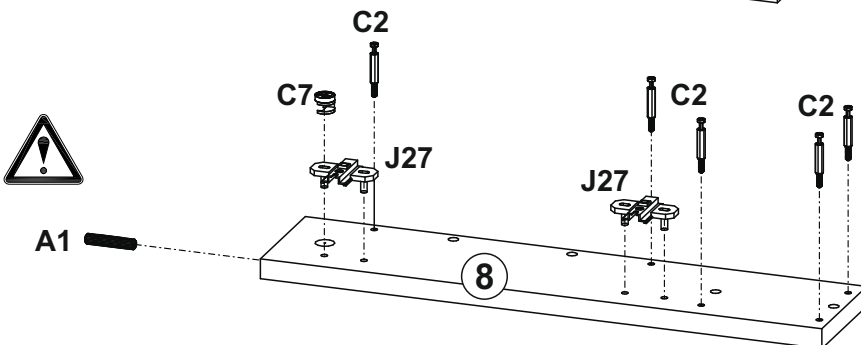
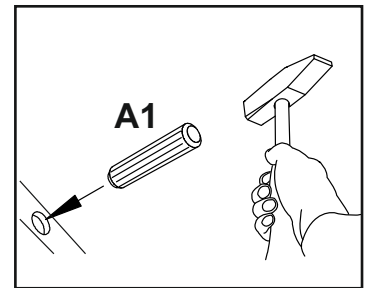
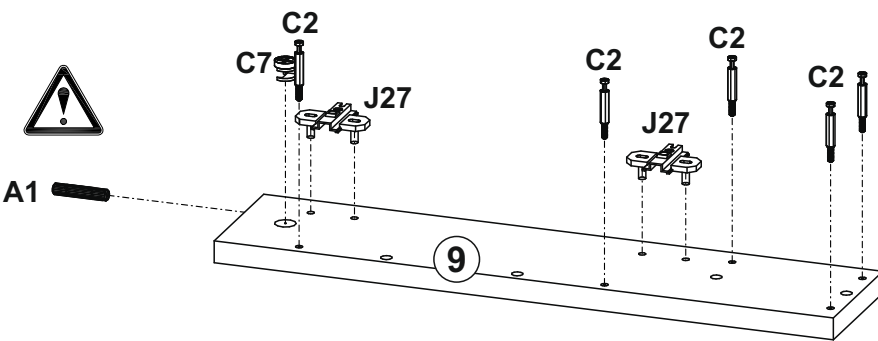
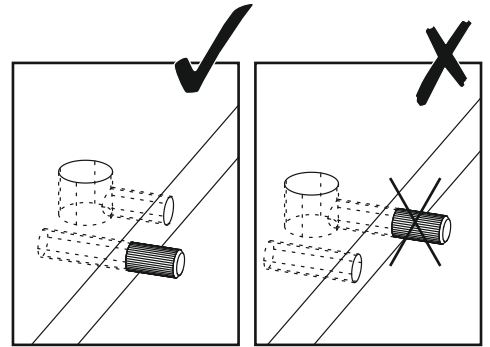
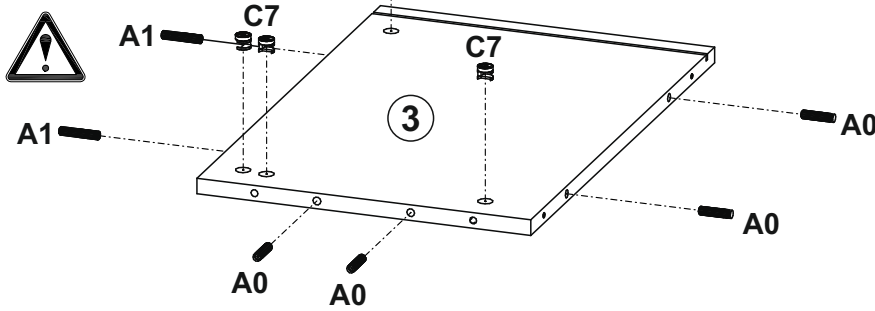
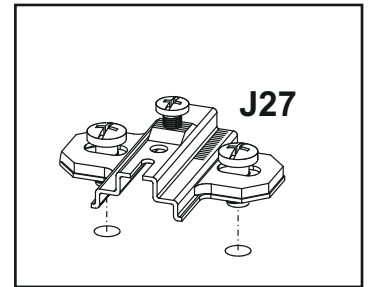
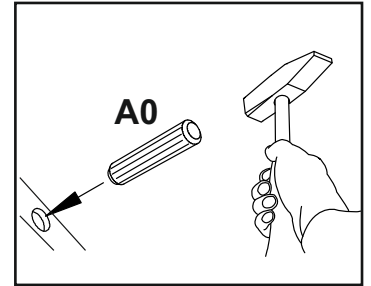
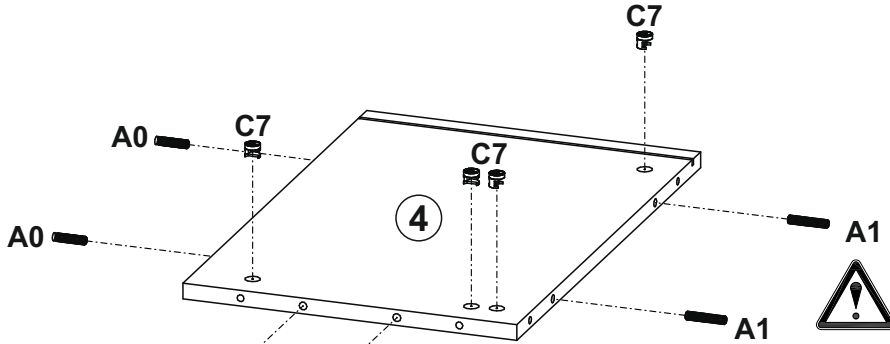
<b>A0</b>	<b>C2</b>	<b>C7</b>
∅8x30	16mm	
<b>x6</b>	<b>x4</b>	<b>x8</b>



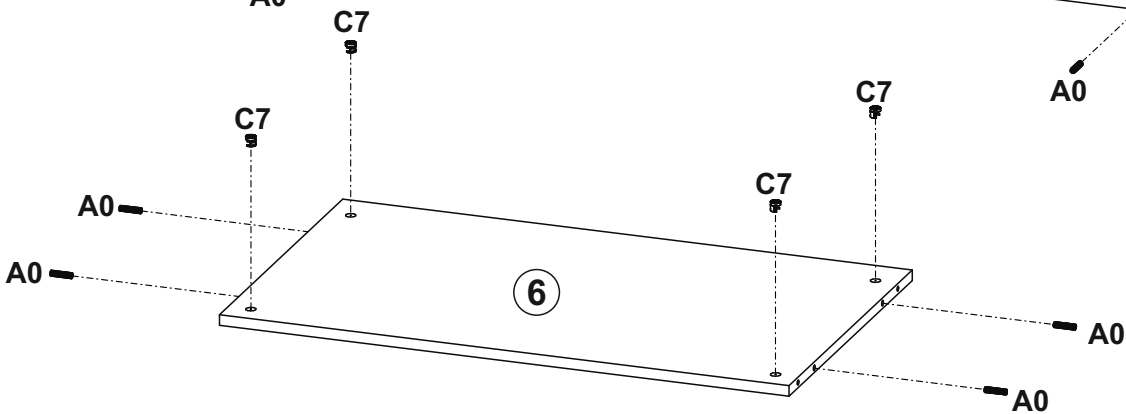
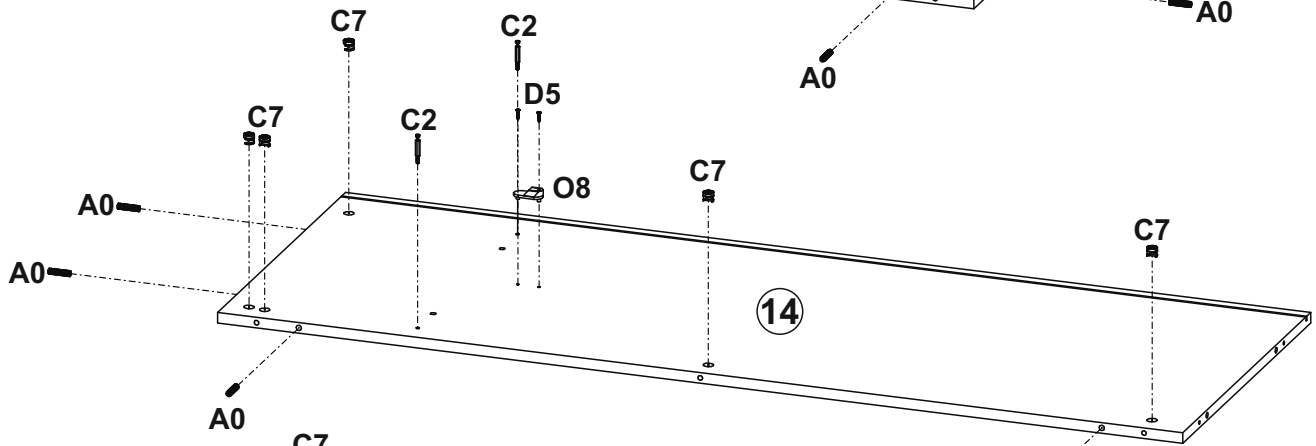
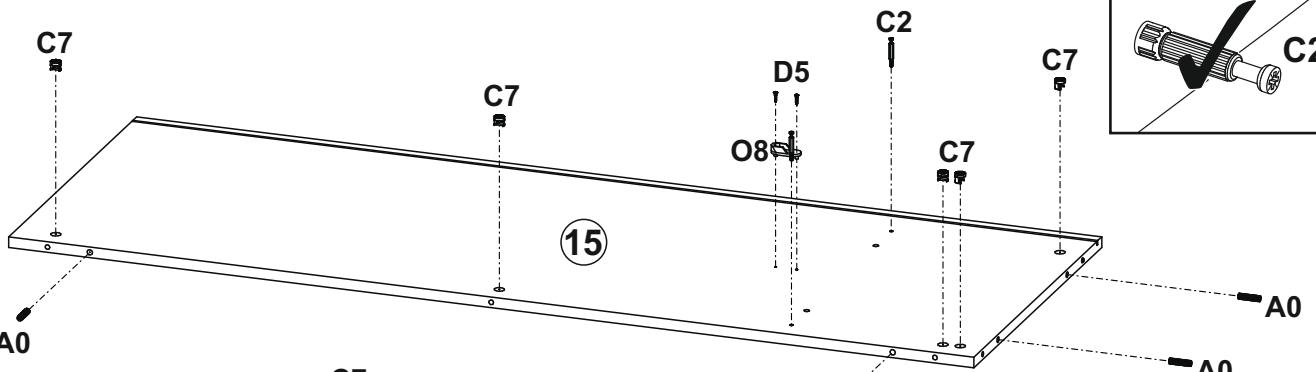
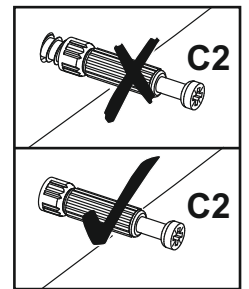
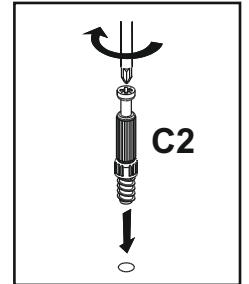
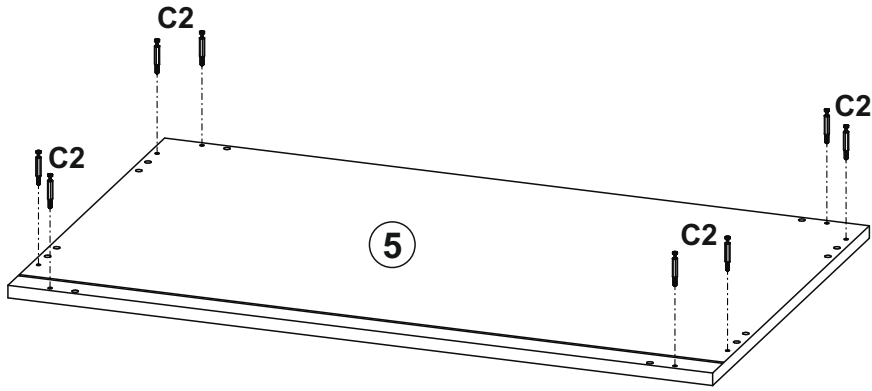
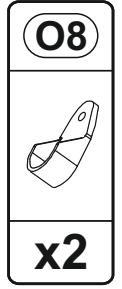
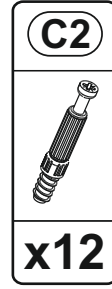
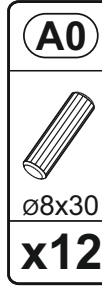
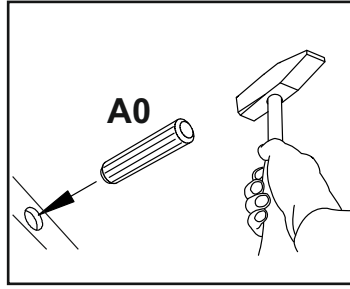
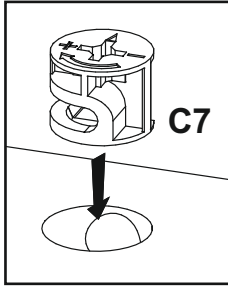
# 2



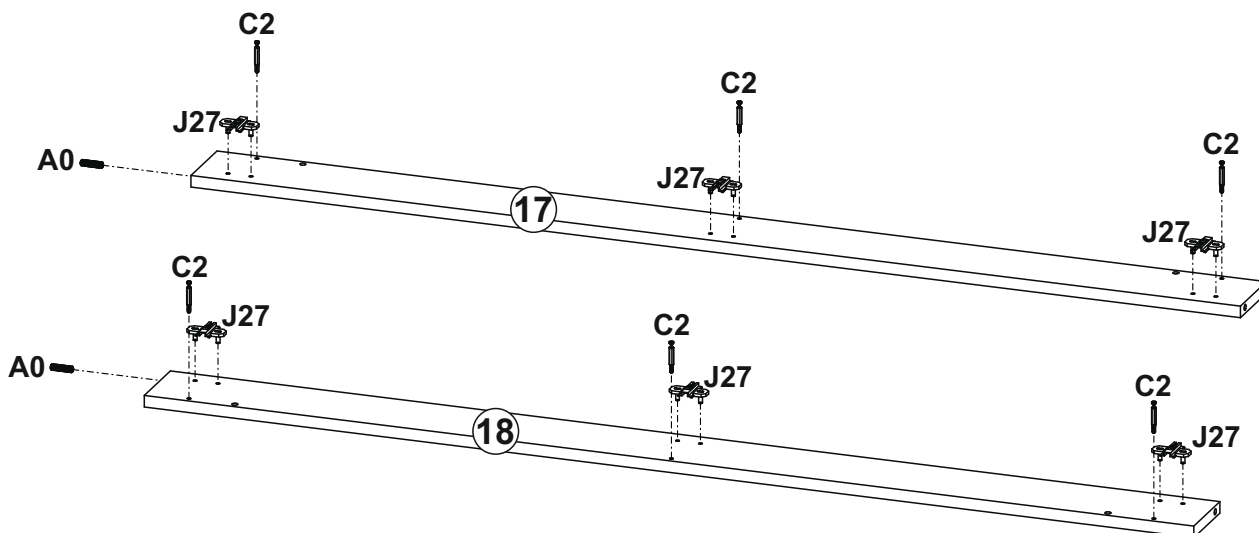
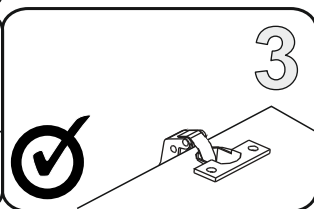
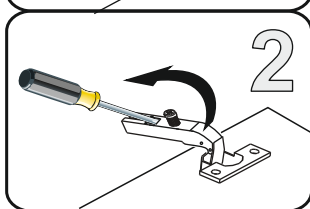
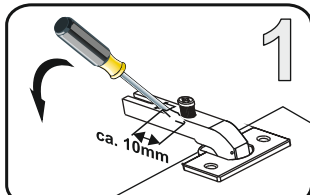
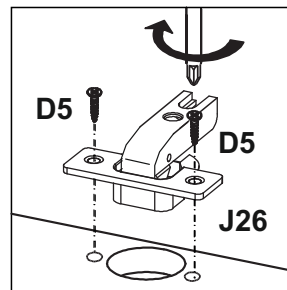
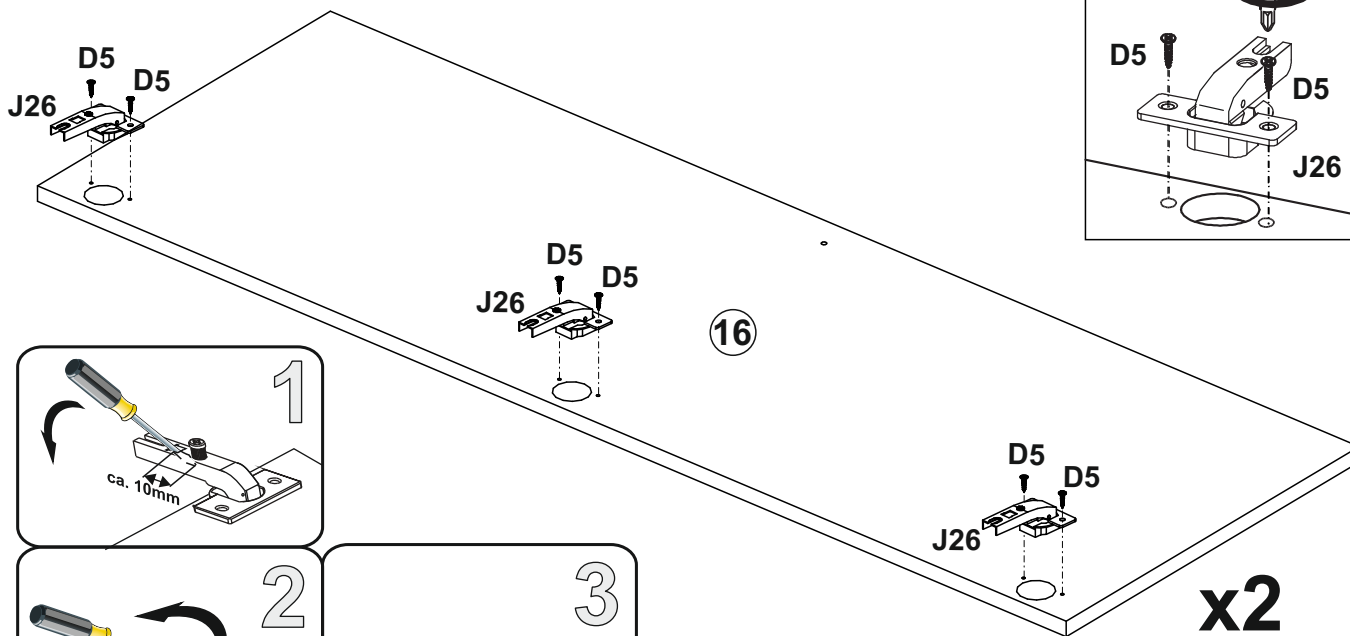
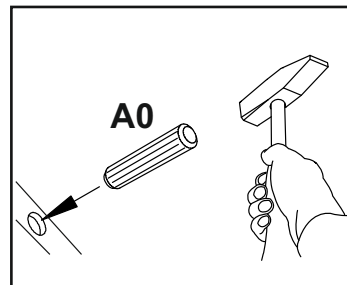
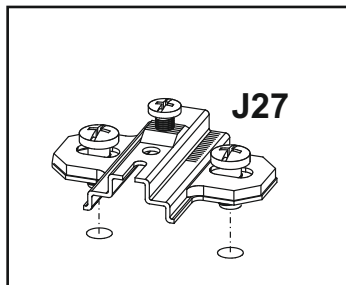
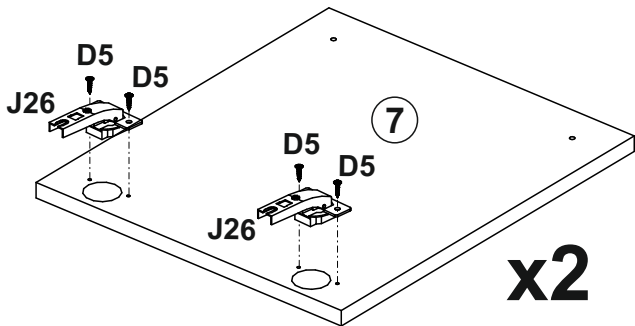
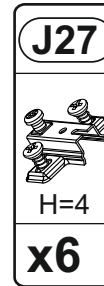
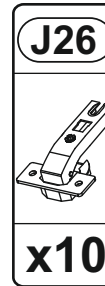
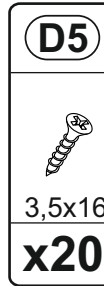
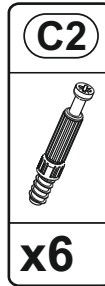
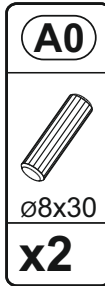
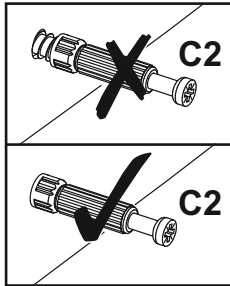
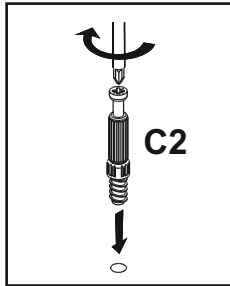
<b>A0</b>	<b>A1</b>	<b>C2</b>	<b>C7</b>	<b>J27</b>
∅8x30	∅8x50		16mm	H=4
<b>x8</b>	<b>x6</b>	<b>x10</b>	<b>x10</b>	<b>x4</b>



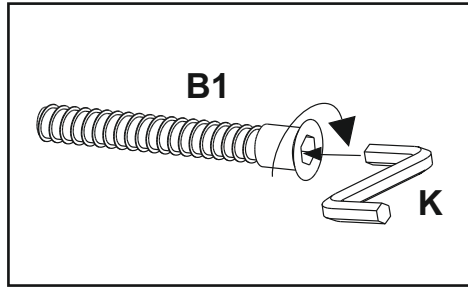
# 3

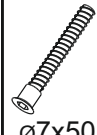
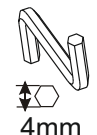


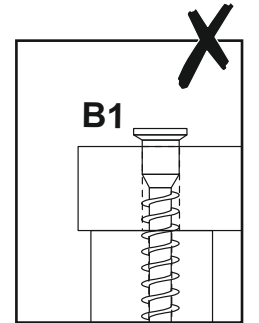
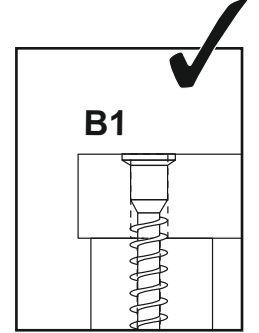
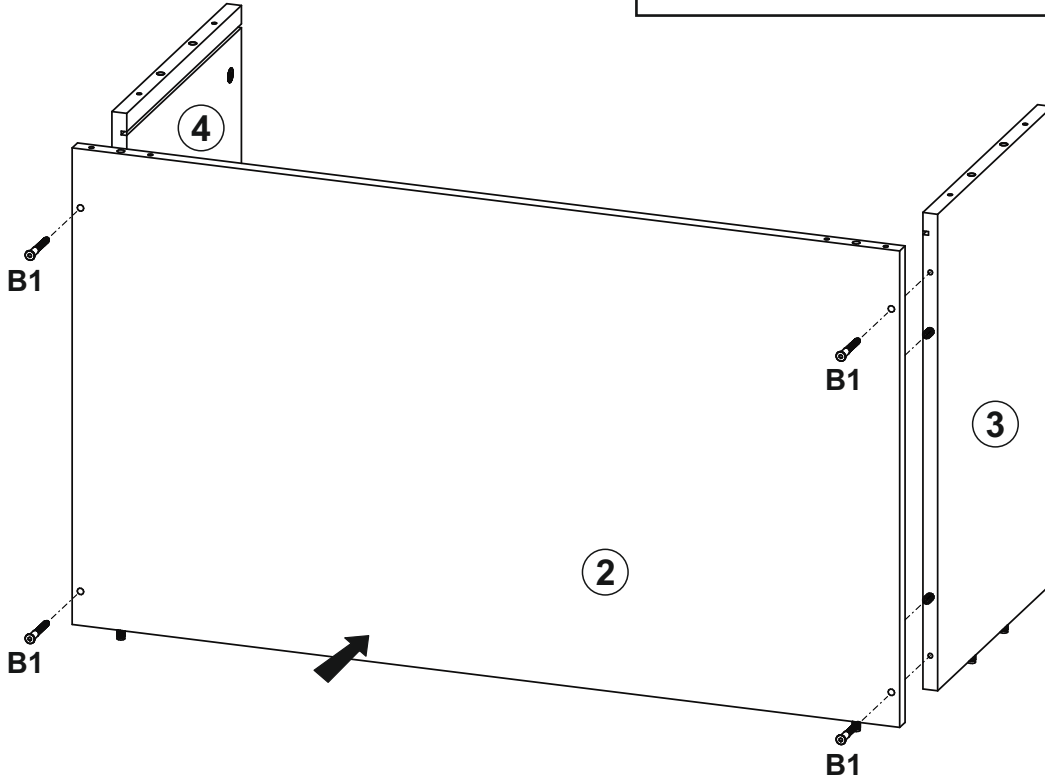
# 4



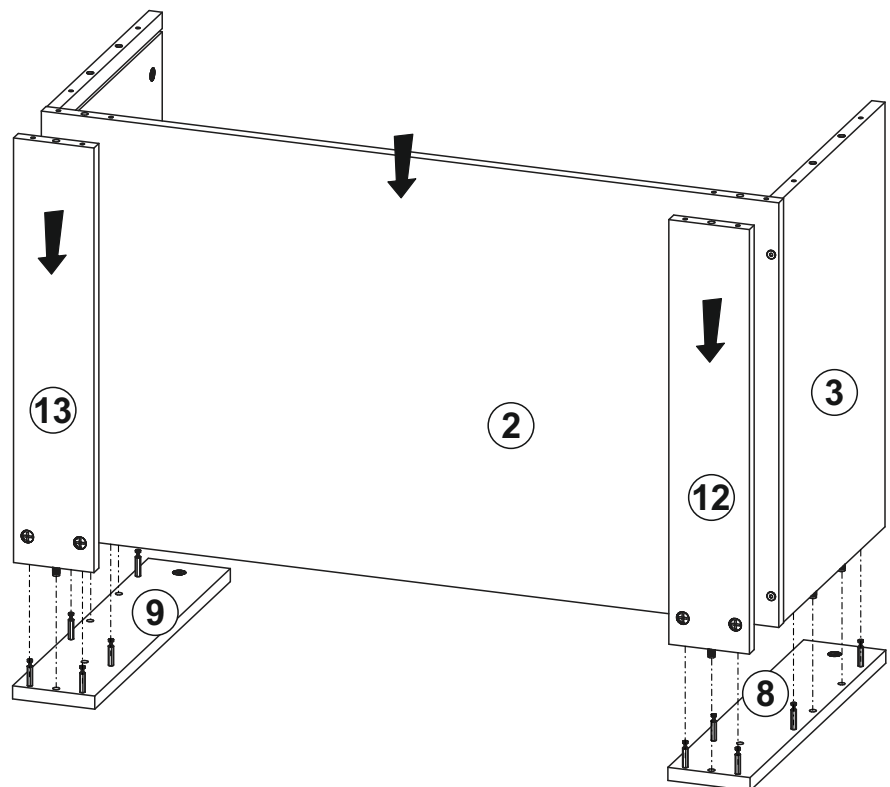
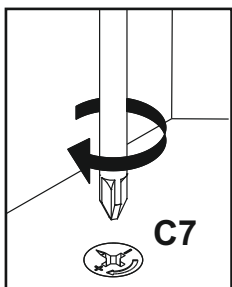
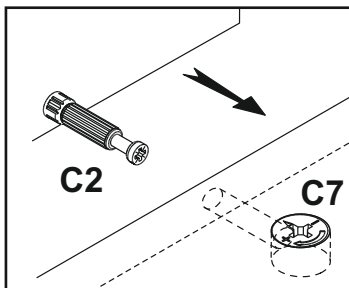
# 5



<b>B1</b>	<b>K</b>
 ø7x50	 4mm
<b>x4</b>	<b>x1</b>

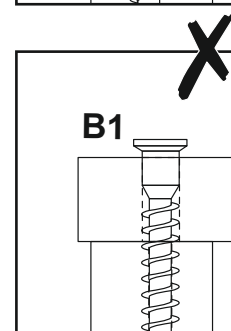
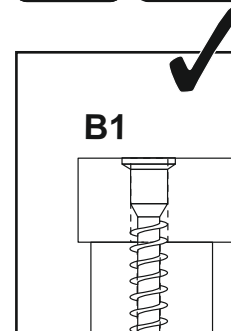
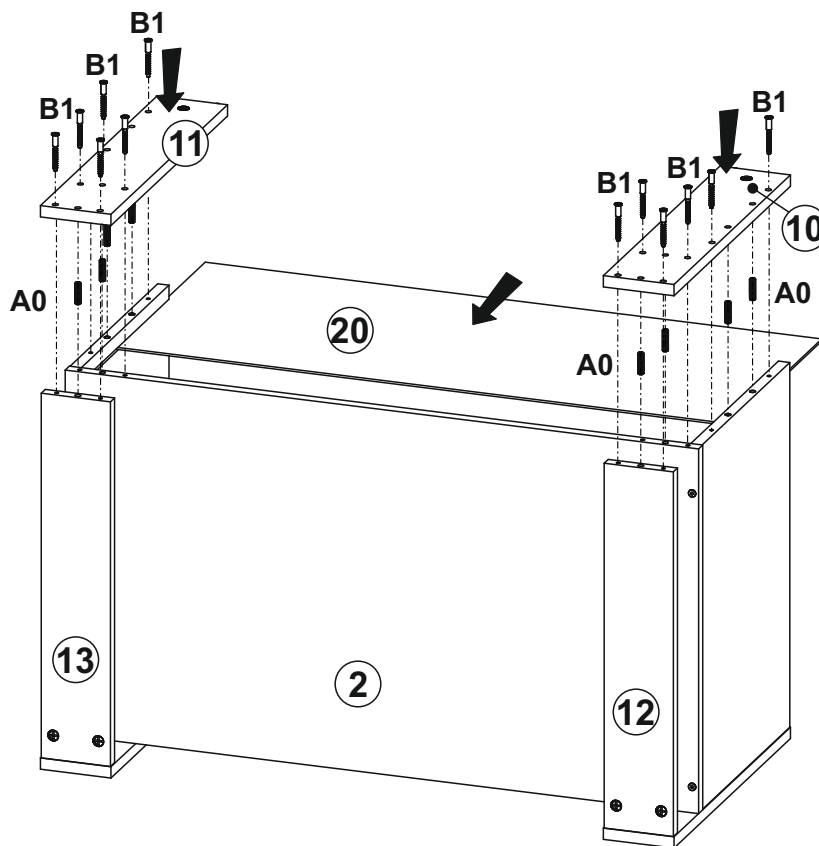
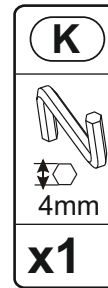
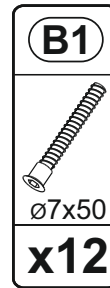
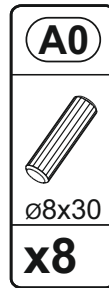
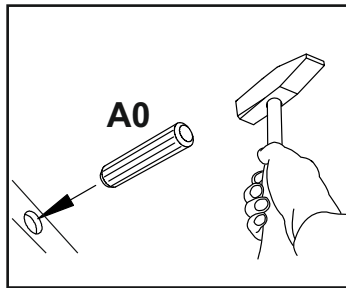
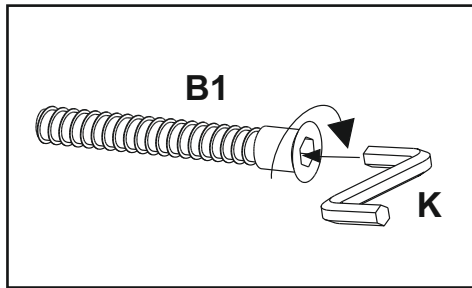


# 6

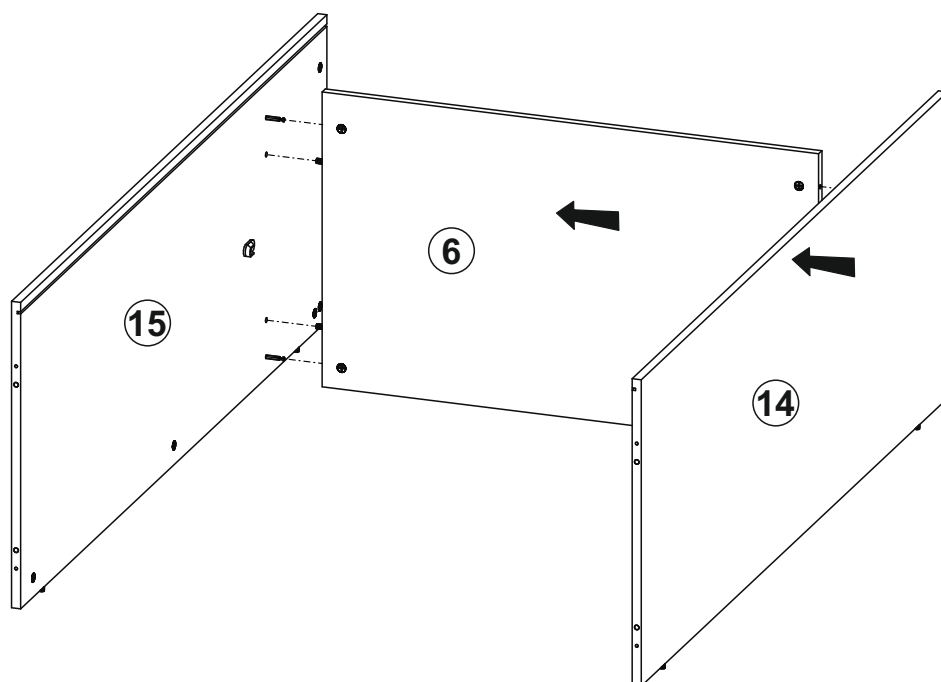
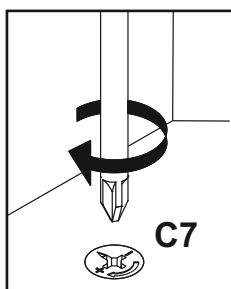
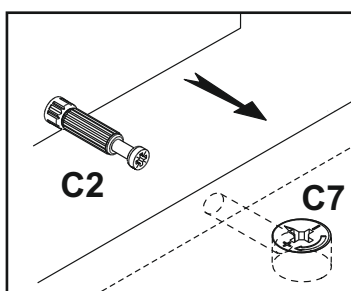




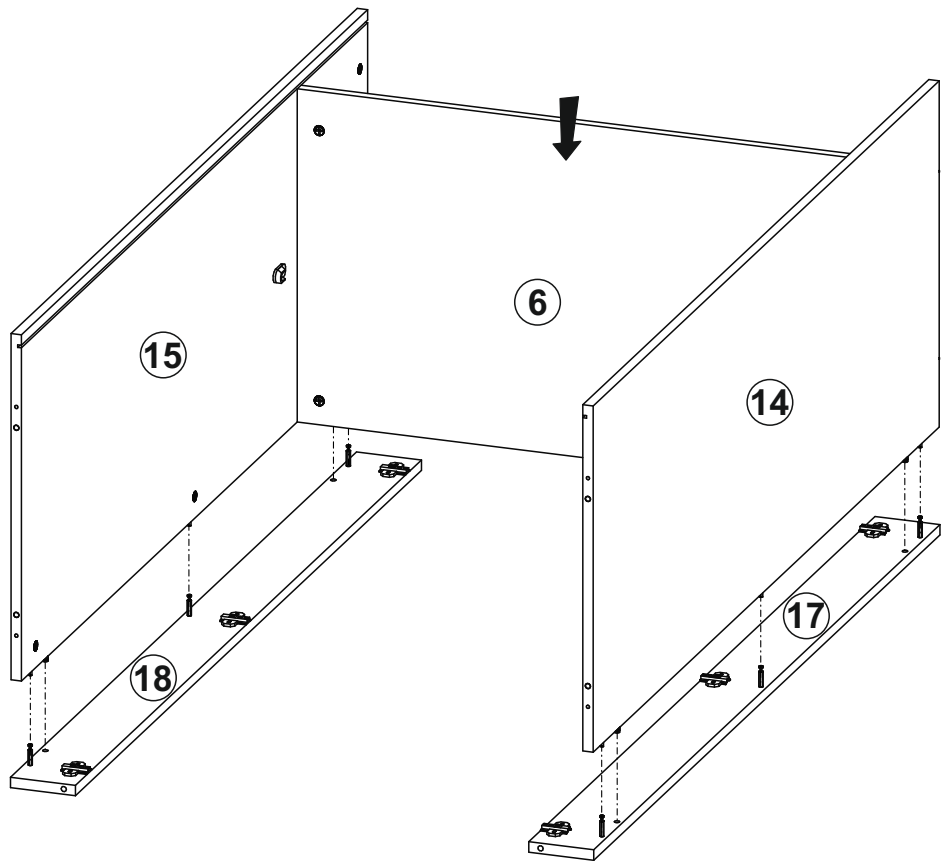
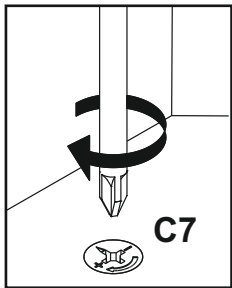
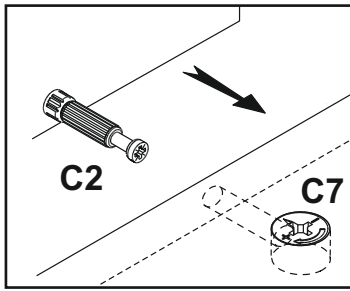
# 7



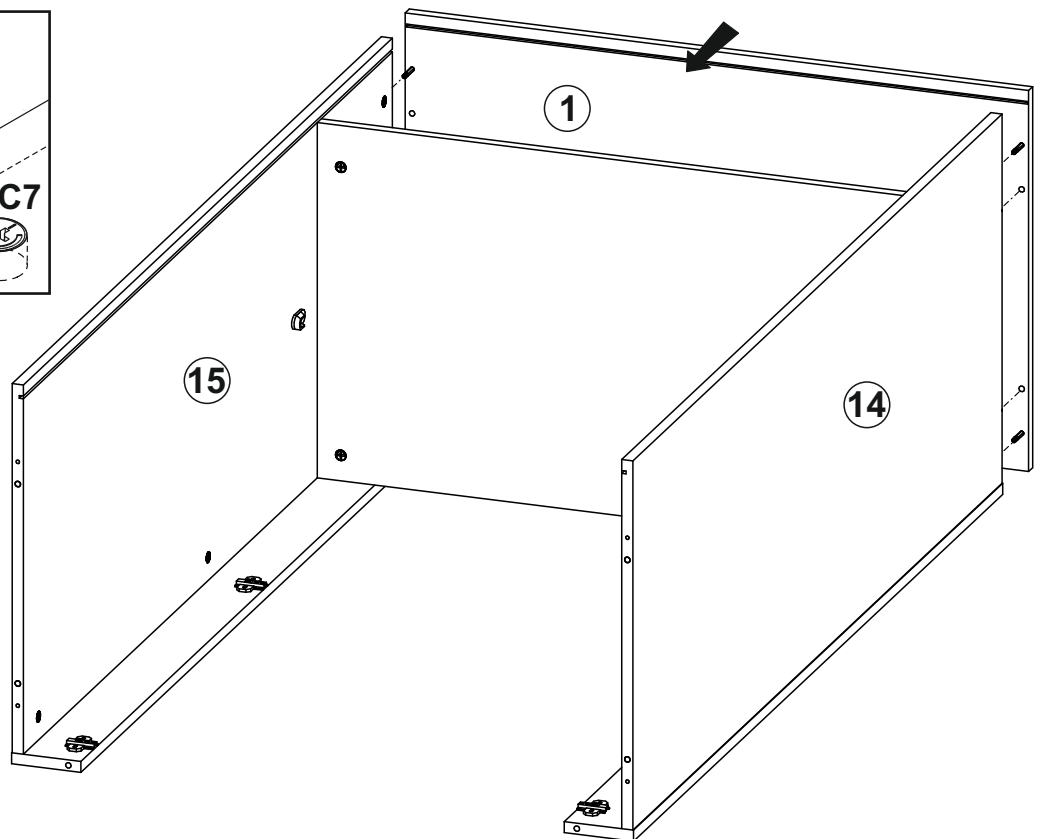
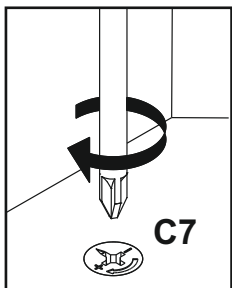
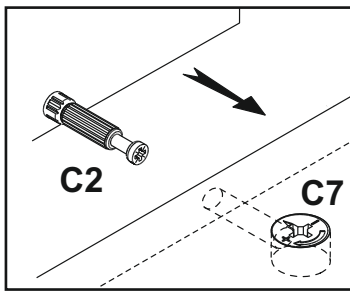
# 8



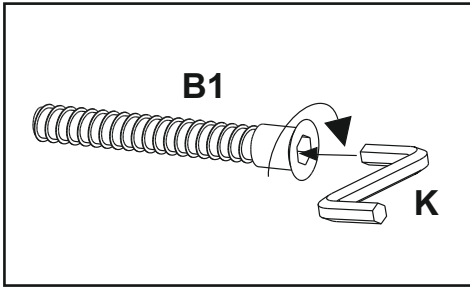
9

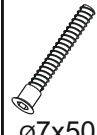
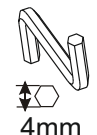


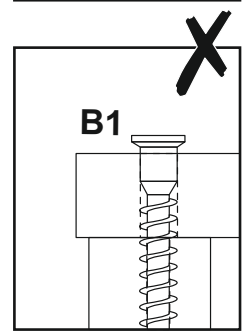
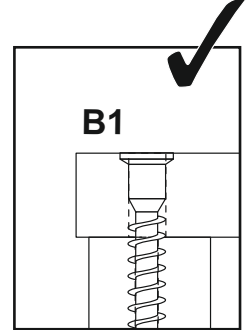
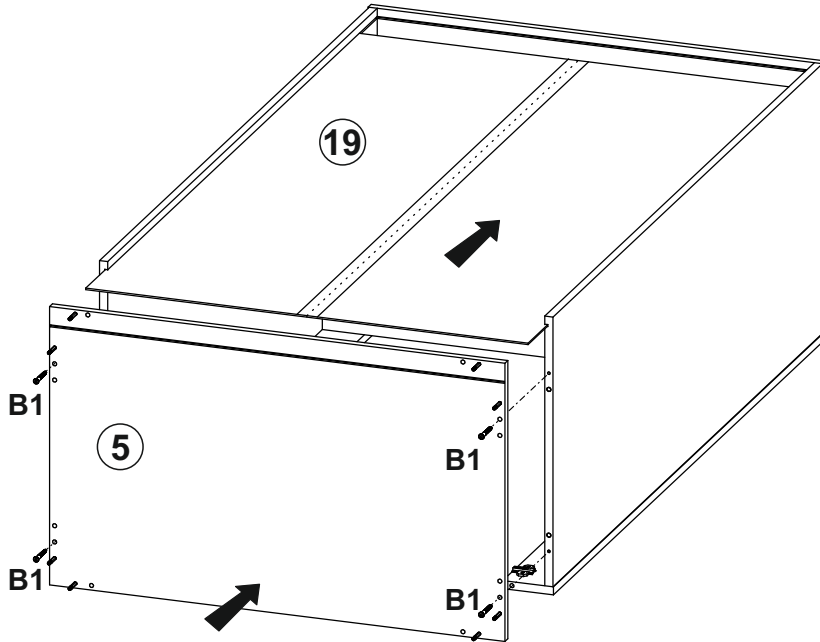
10



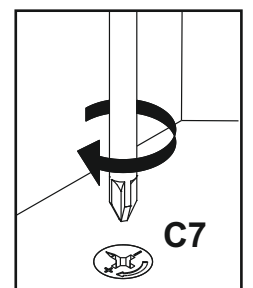
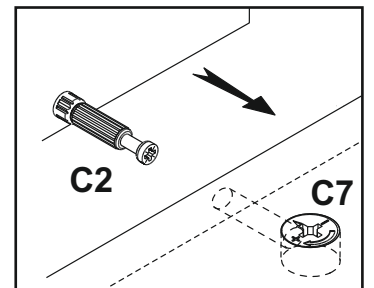
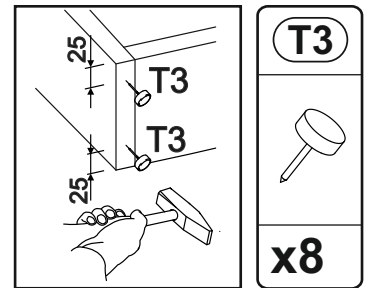
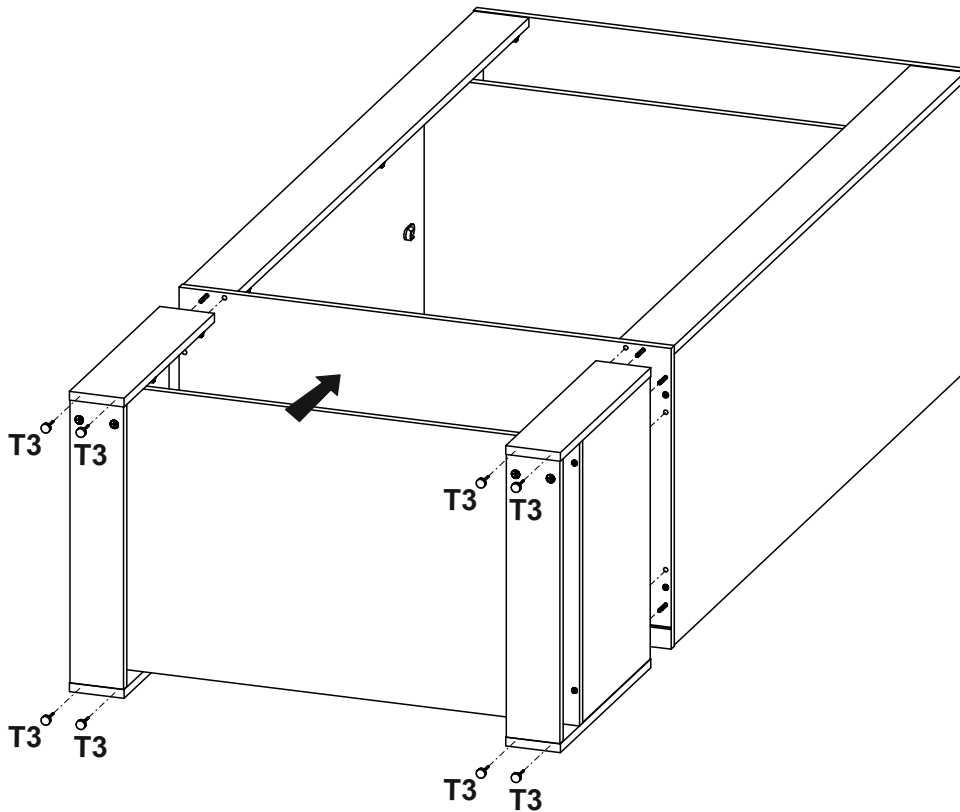
# 11



<b>B1</b>	<b>K</b>
 ø7x50	 4mm
<b>x4</b>	<b>x1</b>

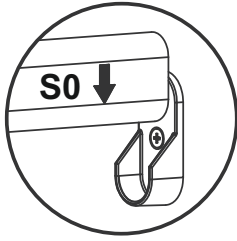



# 12

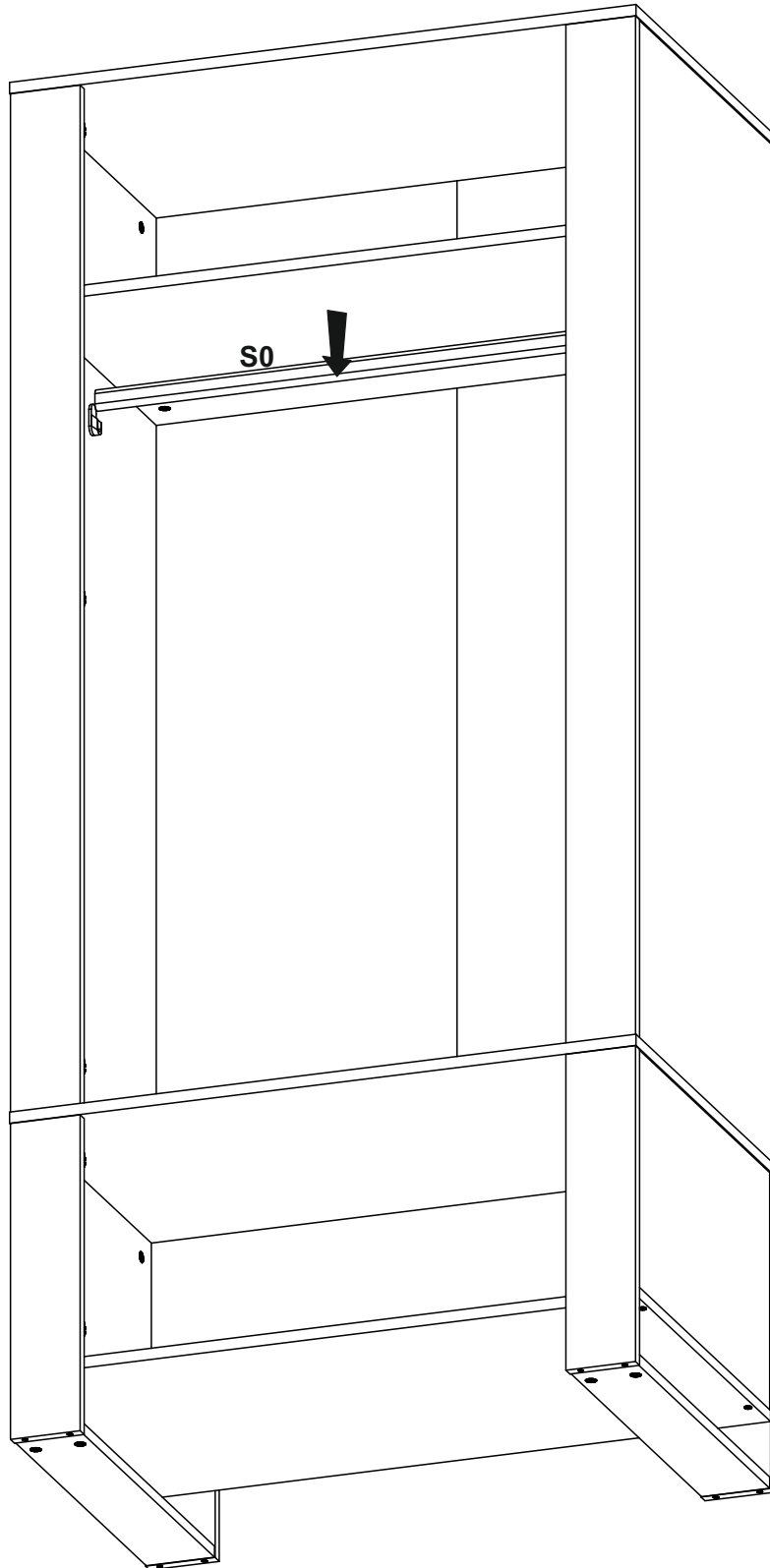


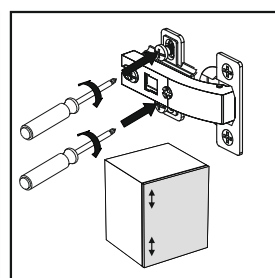
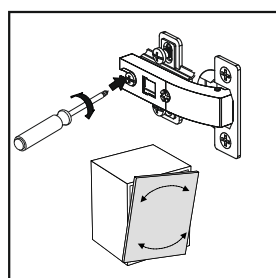
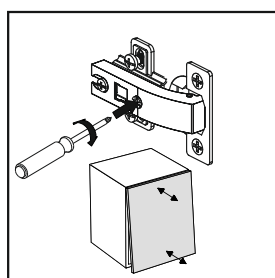
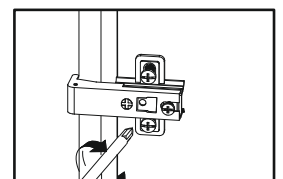
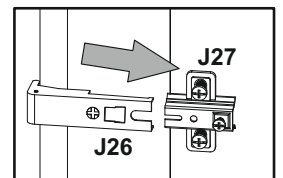
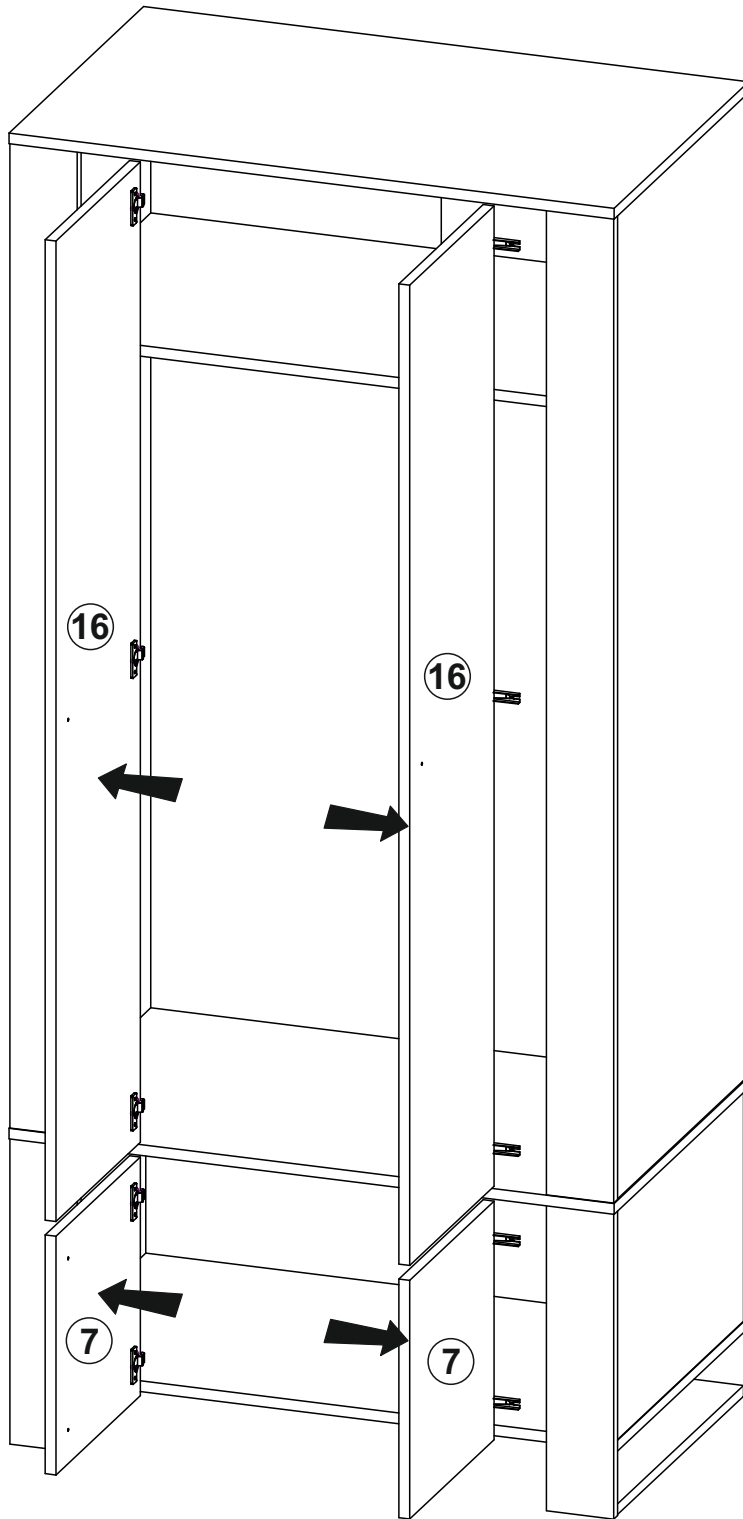


14



<b>S0</b>

860mm
<b>x1</b>





<b>C0</b>	<b>C0</b>	<b>D0</b>	<b>E0</b>	<b>H2</b>	<b>L44</b>	<b>P0</b>	<b>U0</b>
<b>x26</b>	<b>x2</b>	<b>x2</b> 3x15	<b>x1</b> 8x50	<b>x4</b> 4x22	<b>x4</b>	<b>x1</b>	<b>x4</b>

