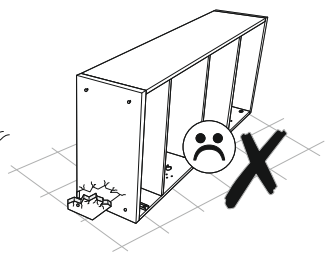
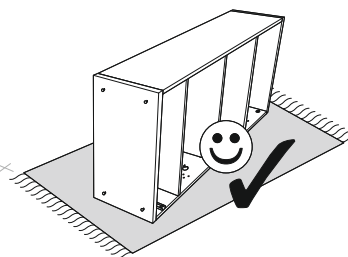
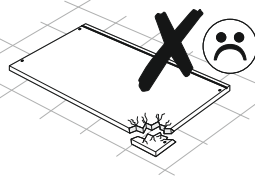
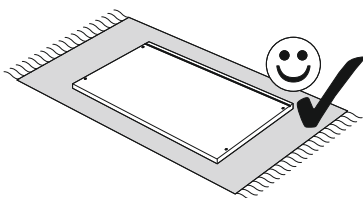
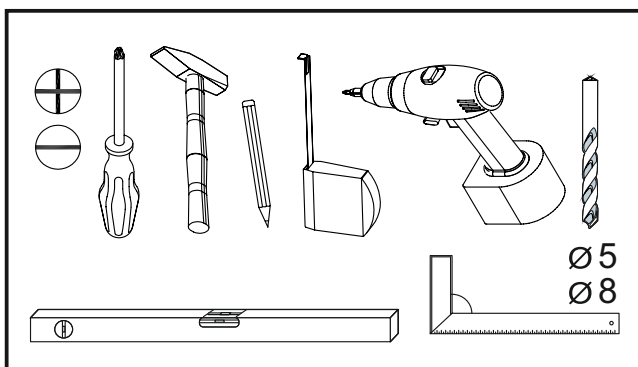
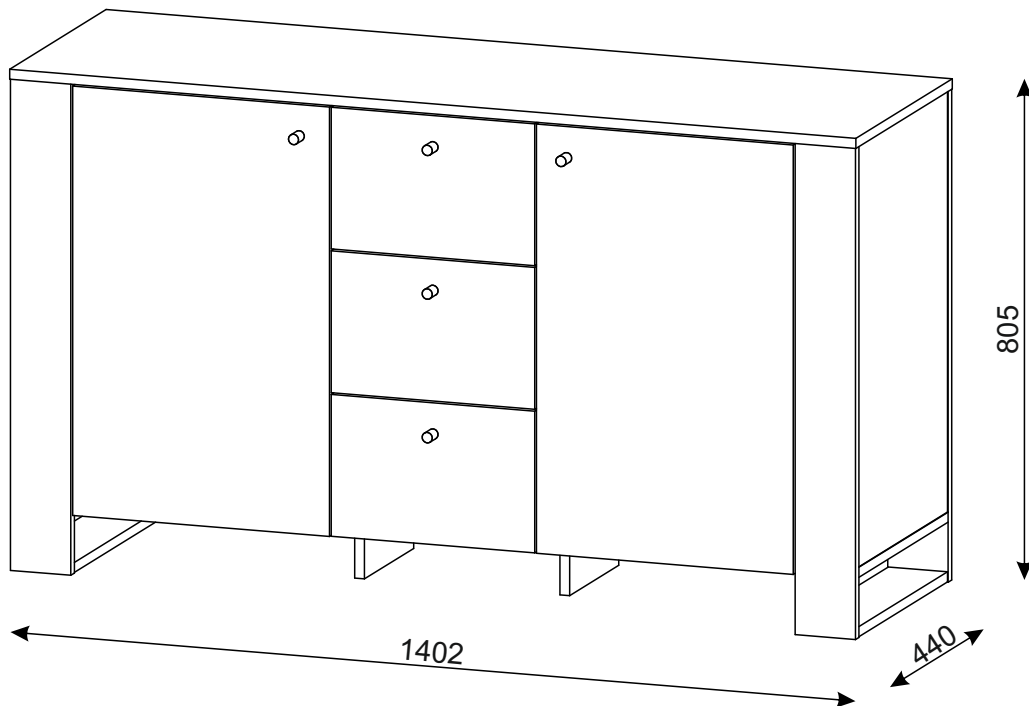
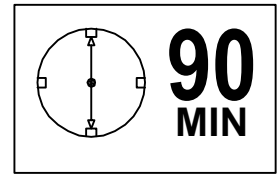
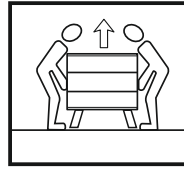
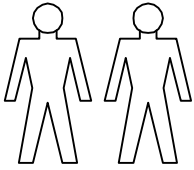









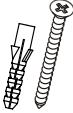









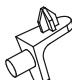


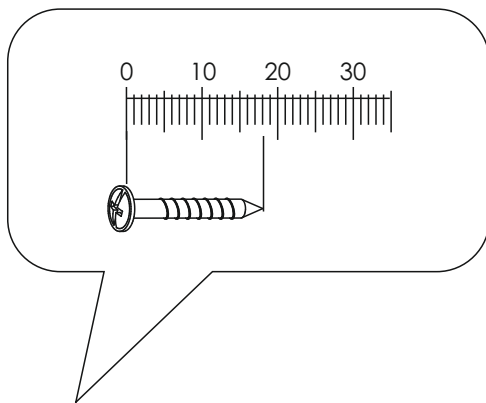


Wohnen WOOD Chest 2D3Dr

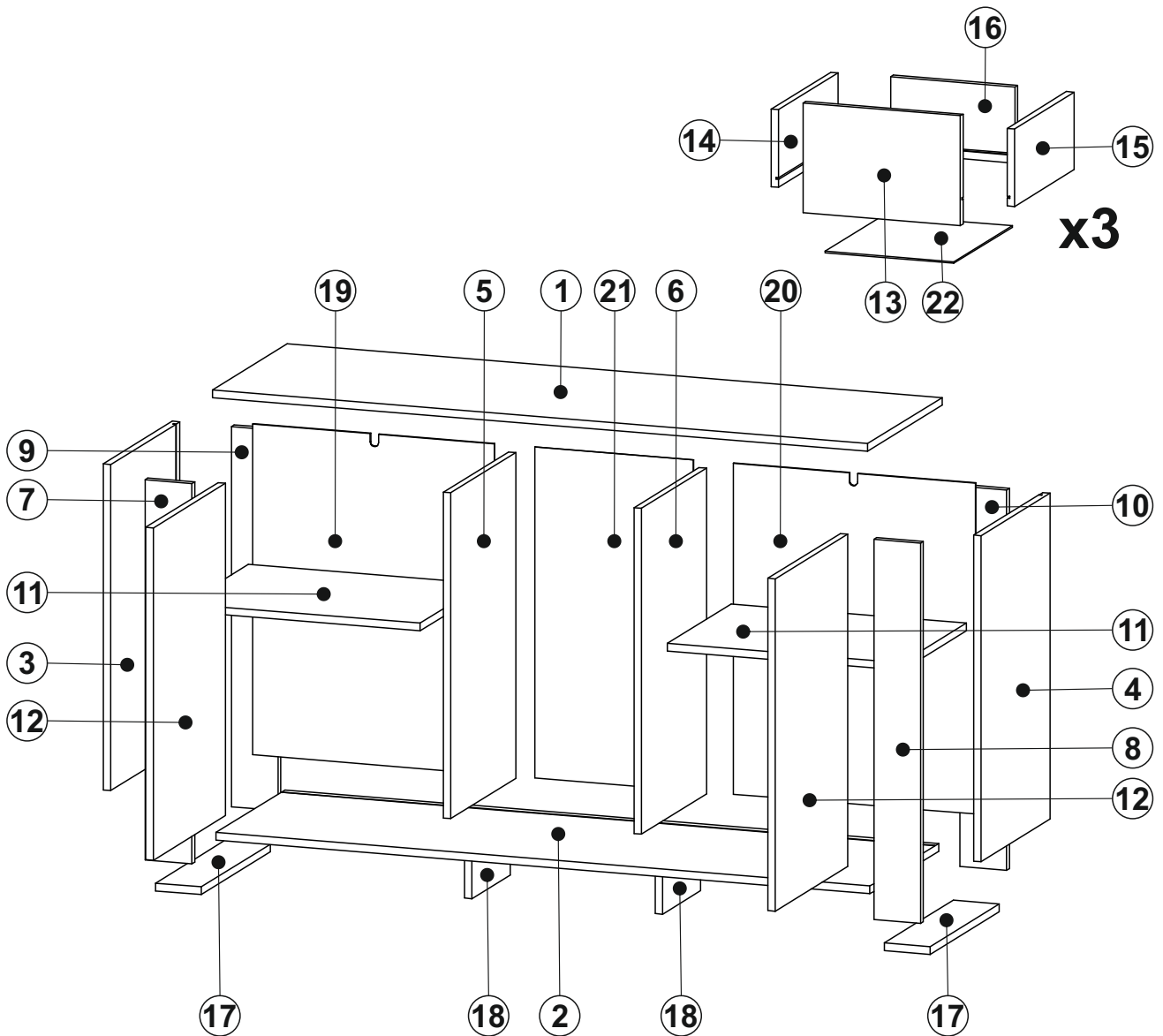


Wohnen WOOD Chest 2D3Dr

A0	B1	C0	C0	C2	C7	D0	D5	D21	E0	H2
										
ø8x30	ø7x50				16mm	3x15	3,5x16	5x13	8x50	4x22
x62	x36	x26	x2	x34	x34	x32	x8	x44	x2	x5
J26	J27	K	L44	M1	M3	N7	P0	Q3	T3	U0
	 H=4	 4mm				 L-350				
x4	x4	x1	x5	x24	x8	x3	x2	x8	x12	x10




Wohnen WOOD Chest 2D3Dr





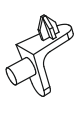


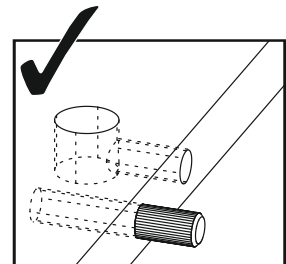
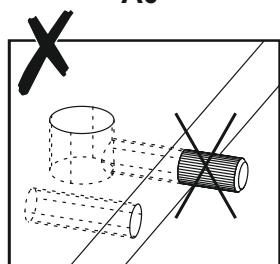
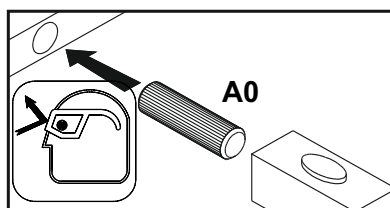
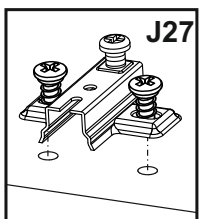
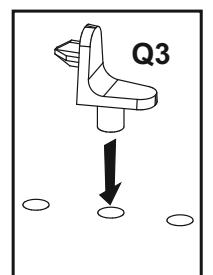
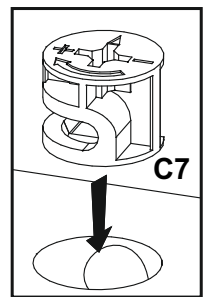
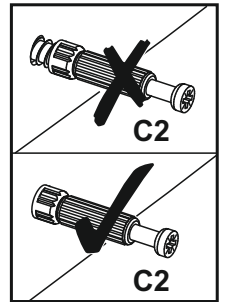
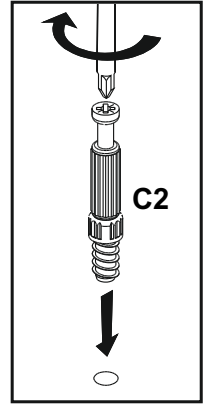
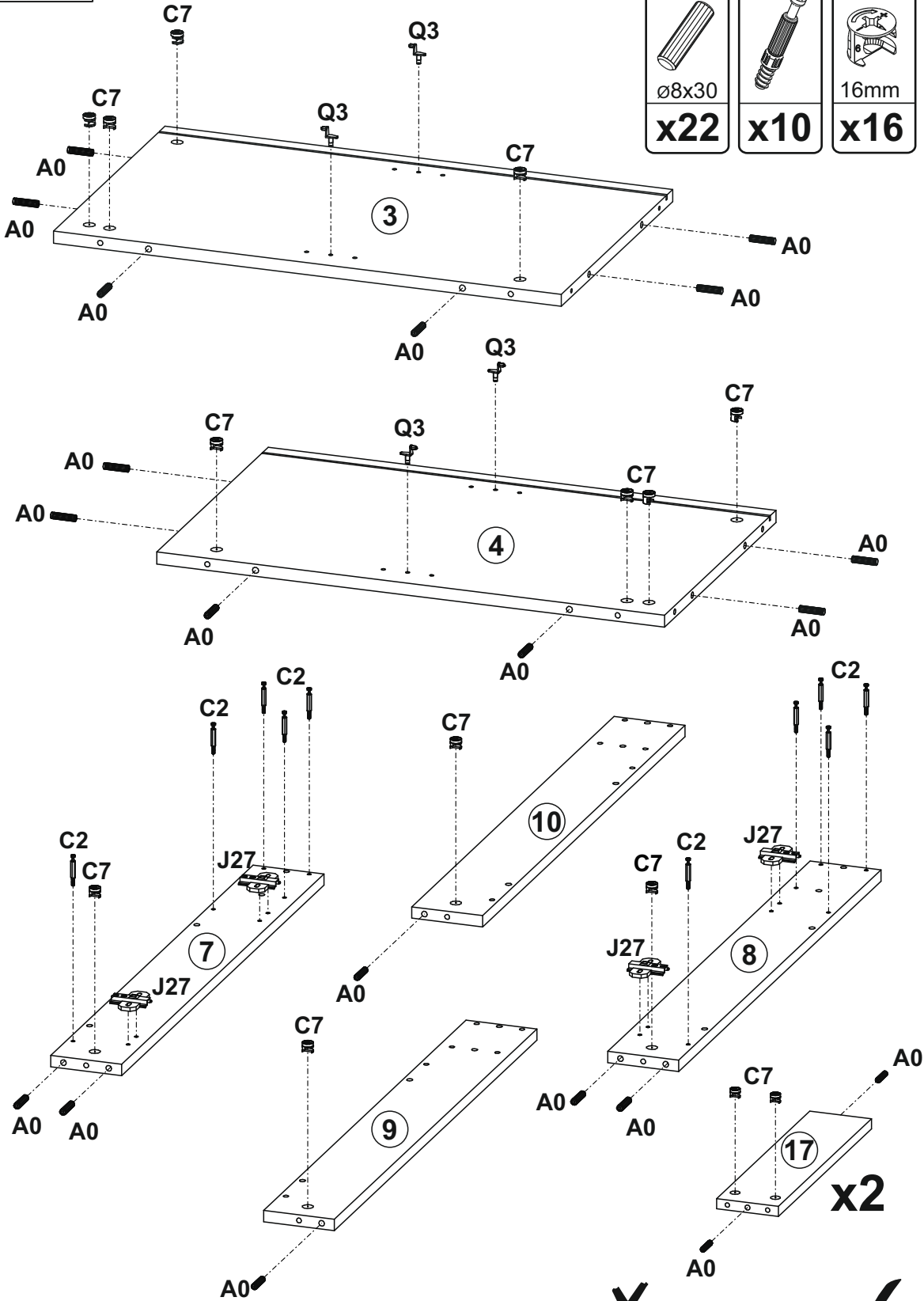
①	1402	439	16	x1	2/2
②	1400	406	16	x1	2/2
③	673	406	16	x1	2/2
④	673	406	16	x1	2/2
⑤	673	382	16	x1	2/2
⑥	673	382	16	x1	2/2
⑦	785	100	16	x1	2/2
⑧	785	100	16	x1	2/2

⑨	785	100	16	x1	2/2
⑩	785	100	16	x1	2/2
⑪	504	376	16	x2	1/2
⑫	686	425,5	16	x2	1/2
⑬	226,5	337	16	x3	1/2
⑭	160	350	16	x3	1/2
⑮	160	350	16	x3	1/2
⑯	157	266	16	x3	1/2

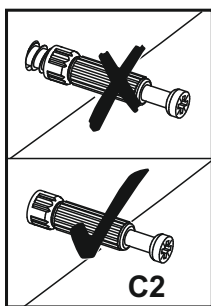
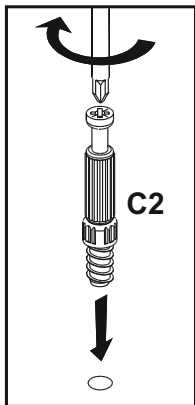
⑰	406	98	16	x2	1/2
⑱	96	224	16	x2	1/2
⑲	683	518	3	x1	1/2
⑳	683	518	3	x1	1/2
㉑	683	339	3	x1	1/2
㉒	276	343	3	x1	1/2
					1/2

1

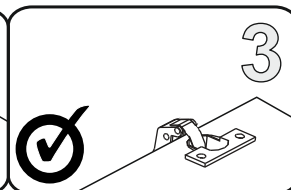
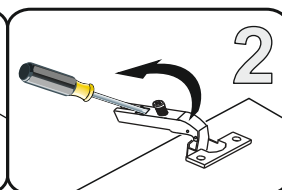
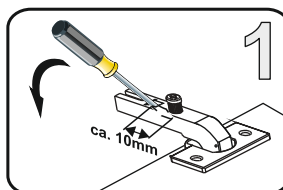
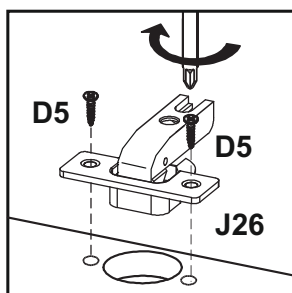
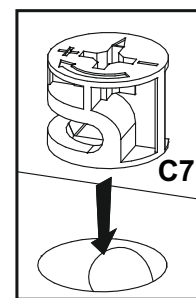
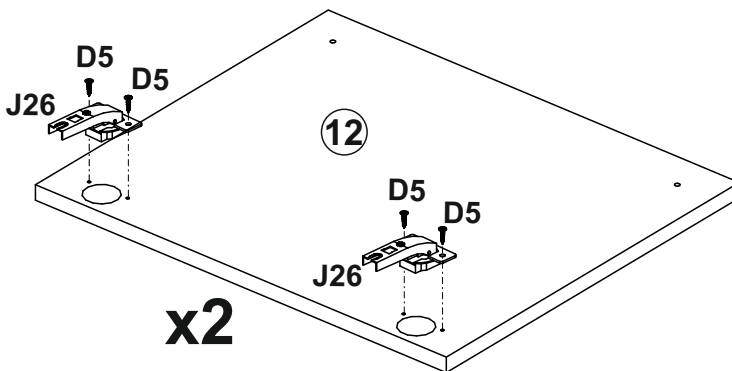
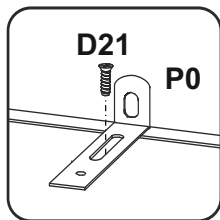
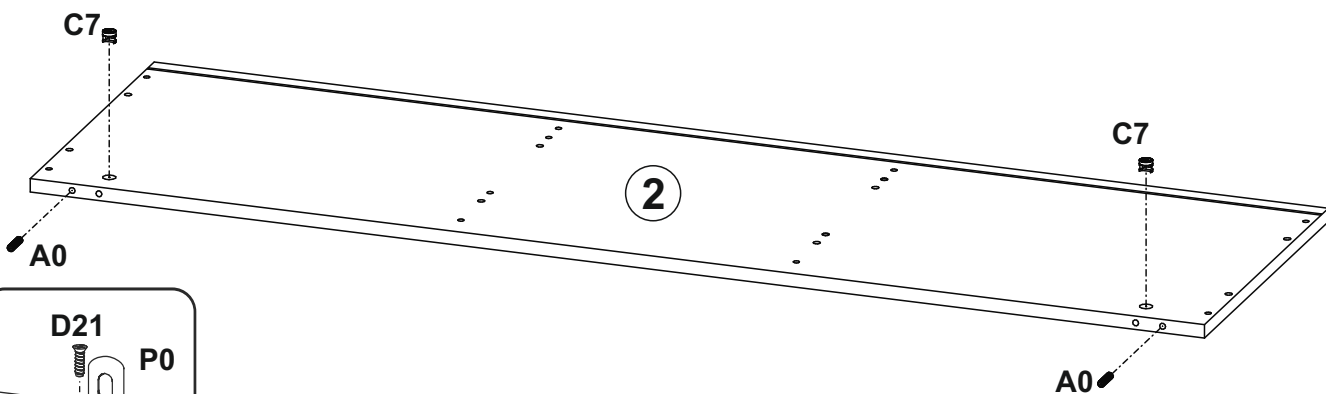
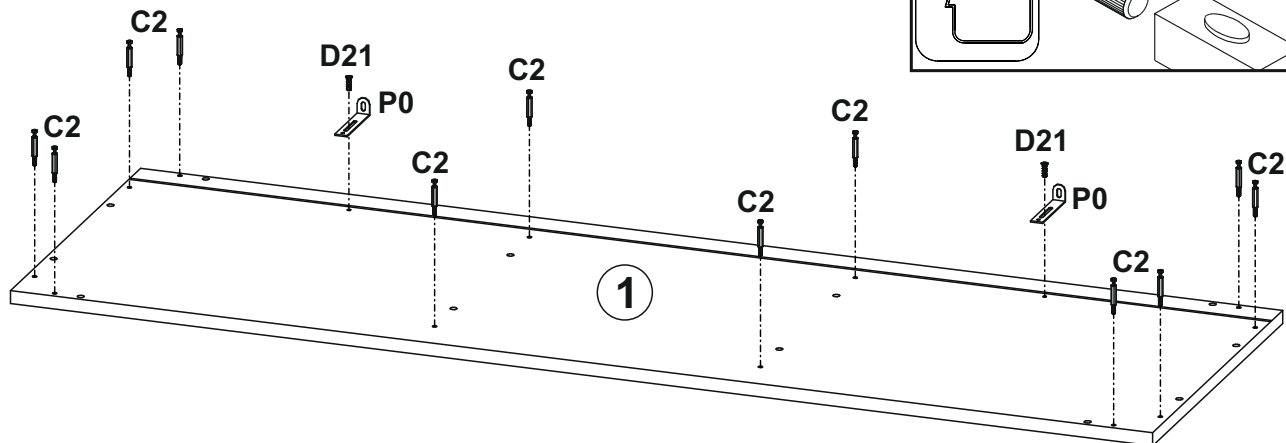
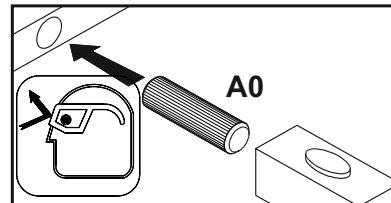
A0  ø8x30 x22	C2  x10	C7  16mm x16	J27  H=4 x4	Q3  x4
-----------------------------------------------------------------------------------------------------------------------	----------------------------------------------------------------------------------------------------------------	------------------------------------------------------------------------------------------------------------------------	-----------------------------------------------------------------------------------------------------------------------	---------------------------------------------------------------------------------------------------------------



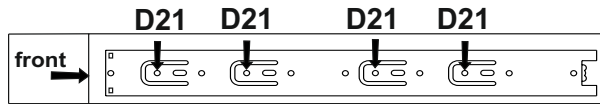
2





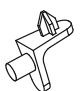


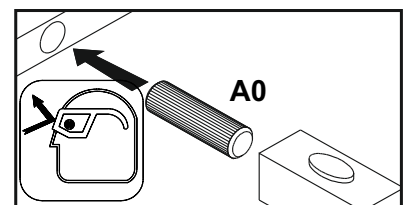
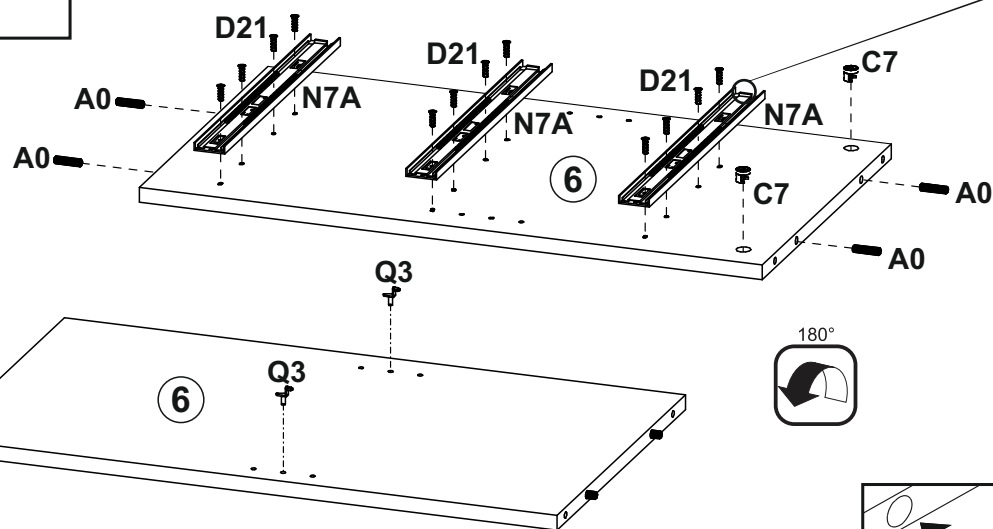
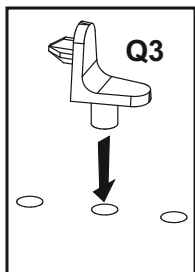
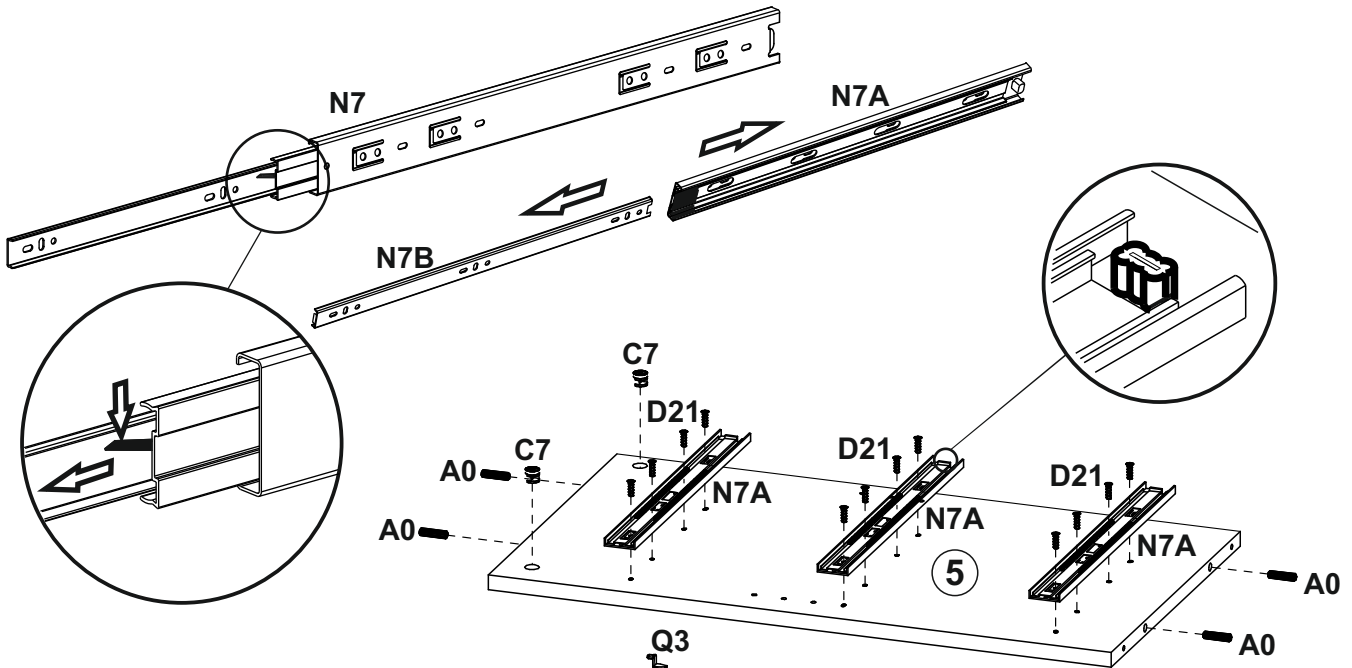
A0	C2	C7	D5	D21	J26	P0
∅8x30		16mm	3,5x16	5x13		
x2	x12	x2	x8	x2	x4	x2



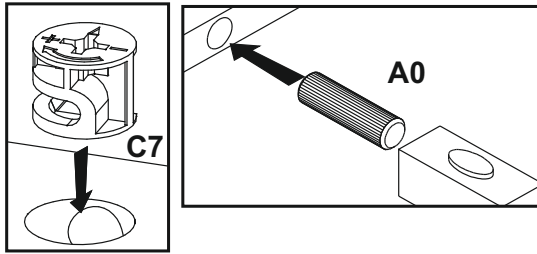
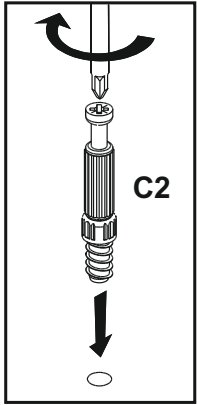
3



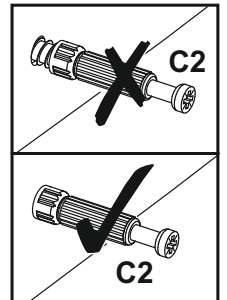
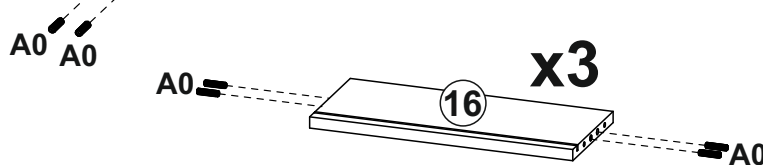
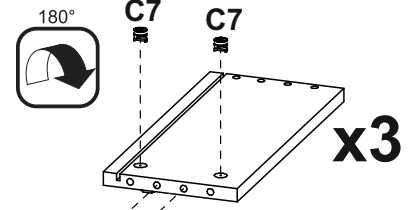
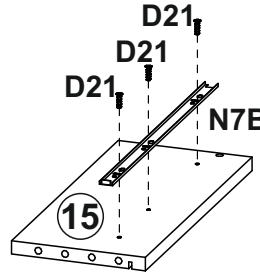
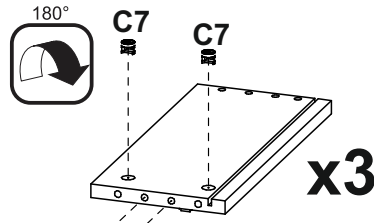
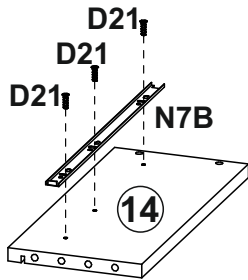
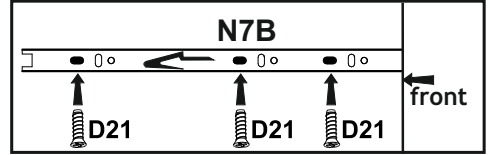
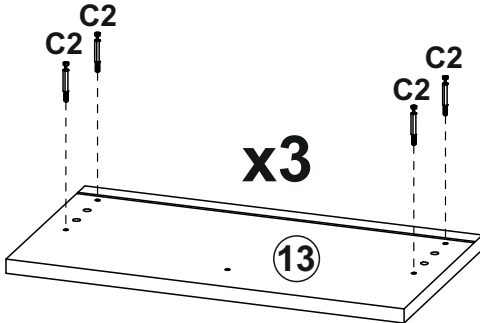
A0  ø8x30 x8	C7  16mm x4	D21  5x13 x24	N7  L-350 x3	Q3  x4
-----------------------------------------------------------------------------------------------------------------------	-----------------------------------------------------------------------------------------------------------------------	-------------------------------------------------------------------------------------------------------------------------	------------------------------------------------------------------------------------------------------------------------	---------------------------------------------------------------------------------------------------------------



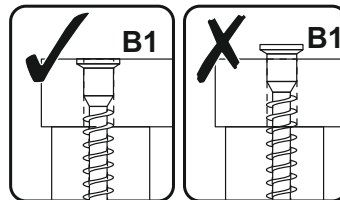
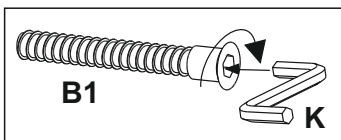
4



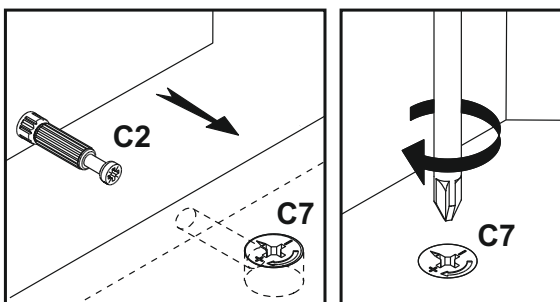
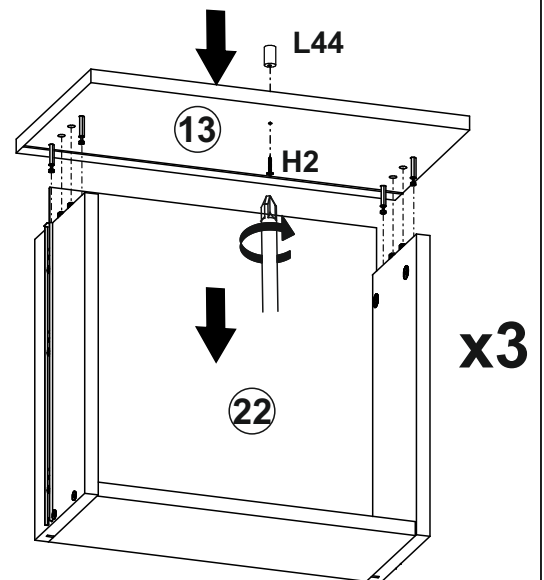
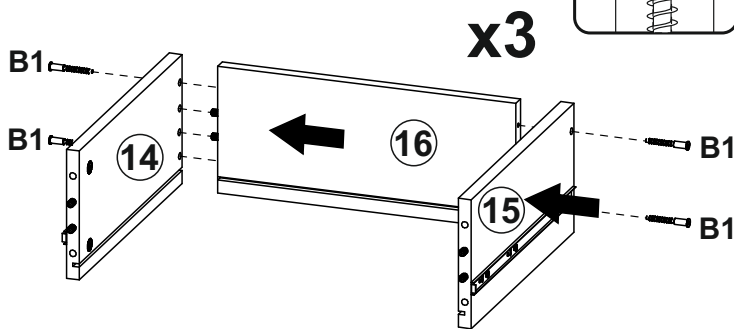
A0 ø8x30 x24	C2 x12	C7 16mm x12	D21 5x13 x18	N7B L-350 x3
--------------------------------------	-----------------------------	-------------------------------------	--------------------------------------	--------------------------------------



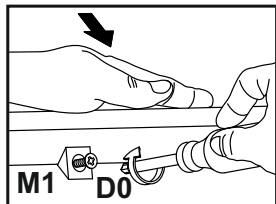
5



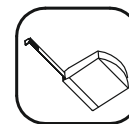
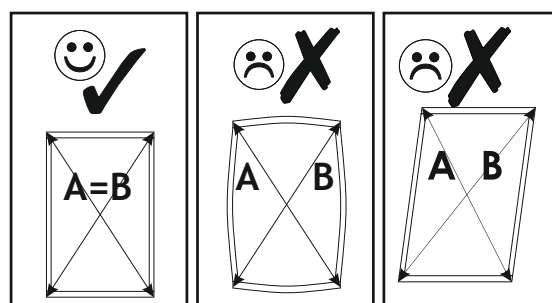
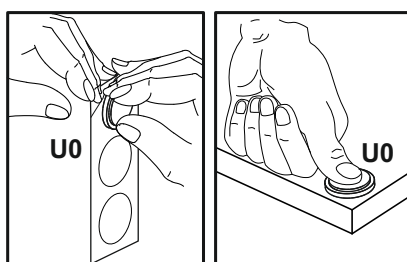
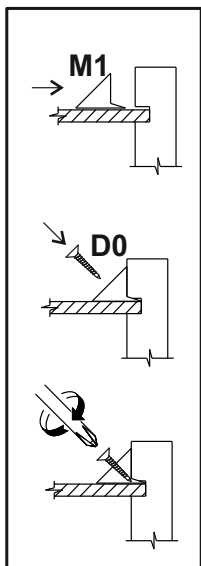
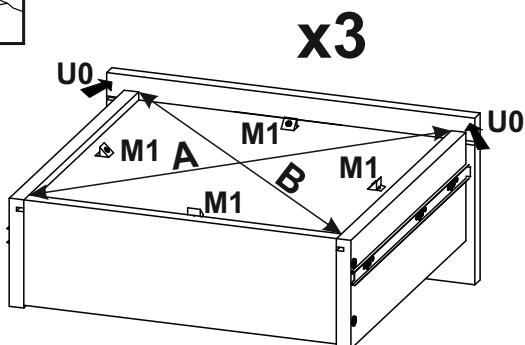
B1 ø7x50 x12	H2 4x22 x3	L44 x3
--------------------------------------	------------------------------------	-----------------------------



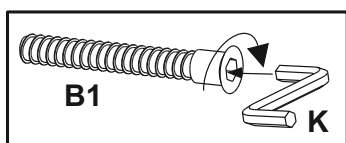
6



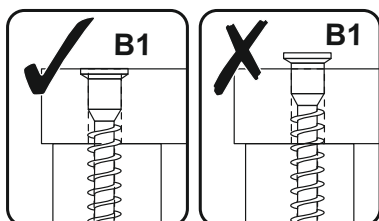
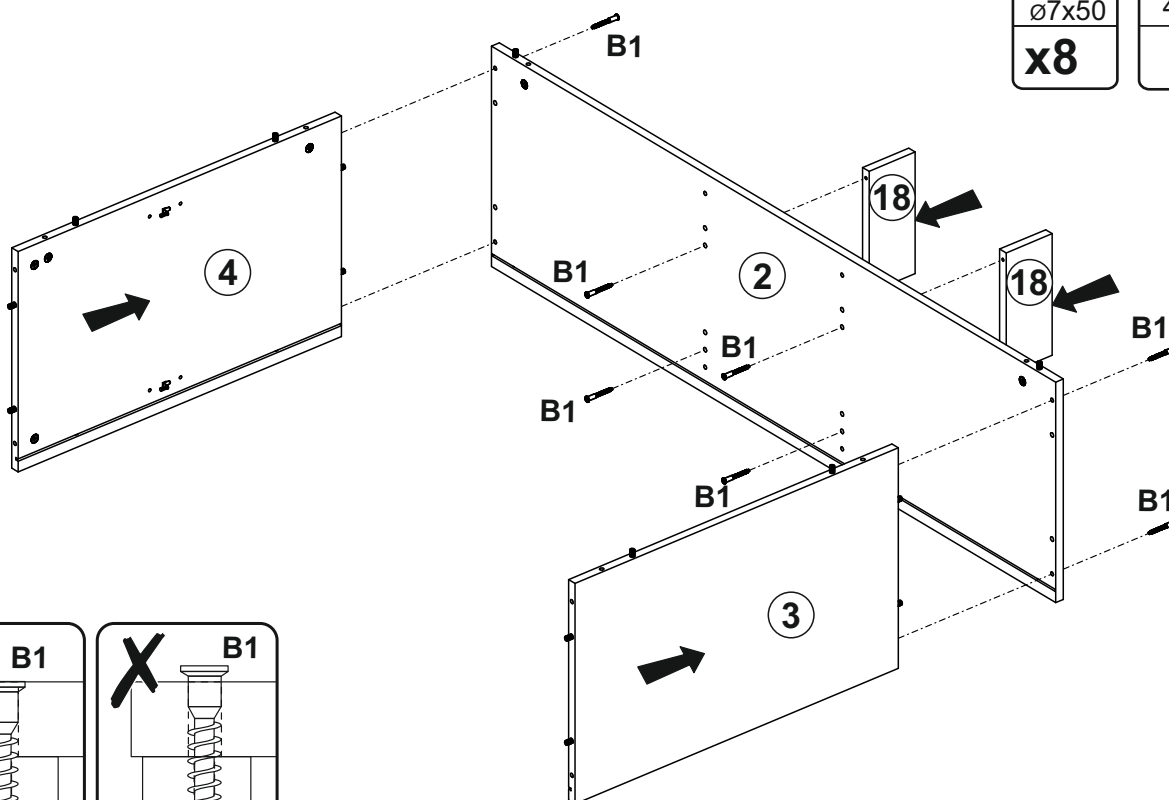
D0	M1	U0
3x15	x12	x6



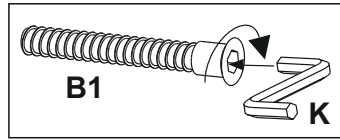
7



B1	K
ø7x50	4mm
x8	x1




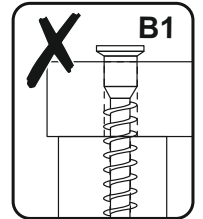
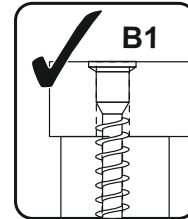
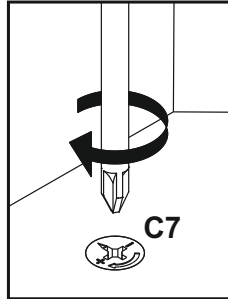
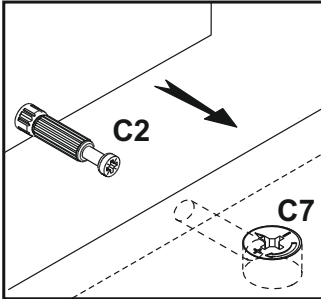
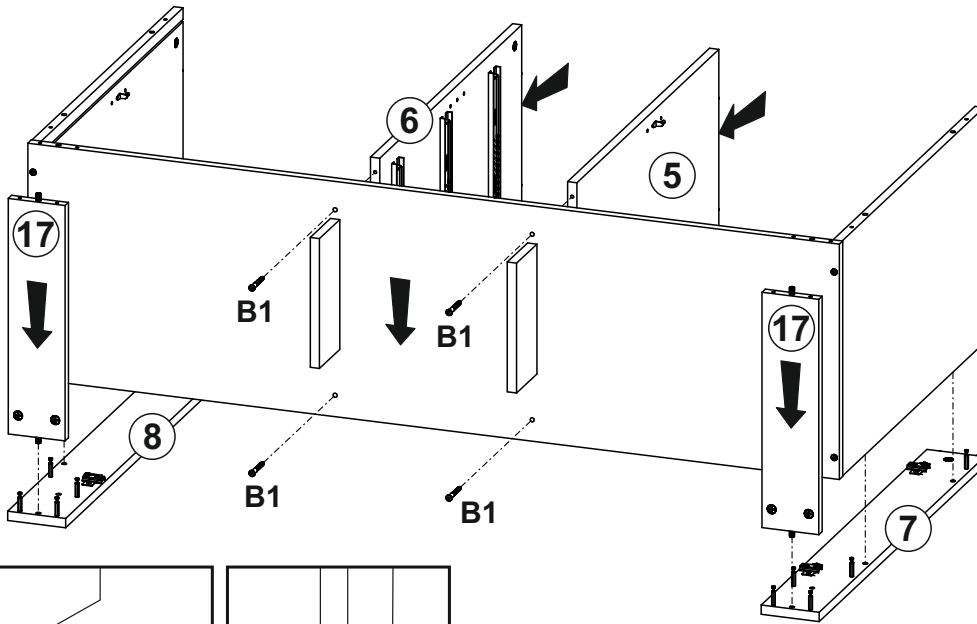
8



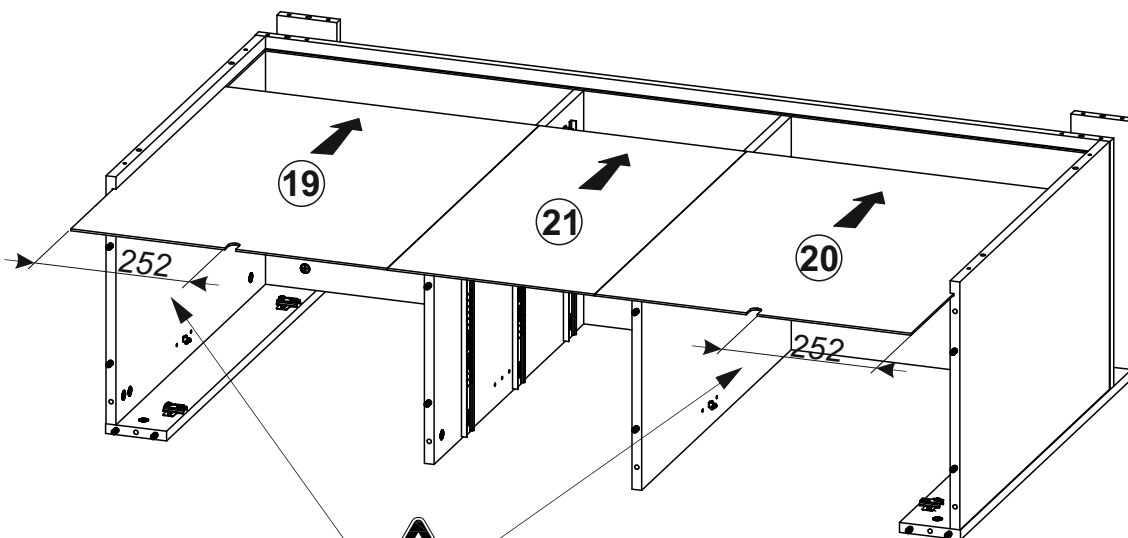
B1

ø7x50
x4

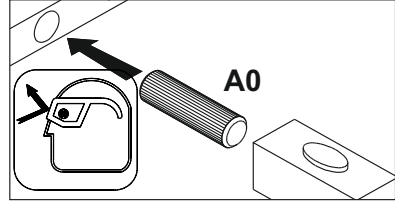
K

4mm
x1



9

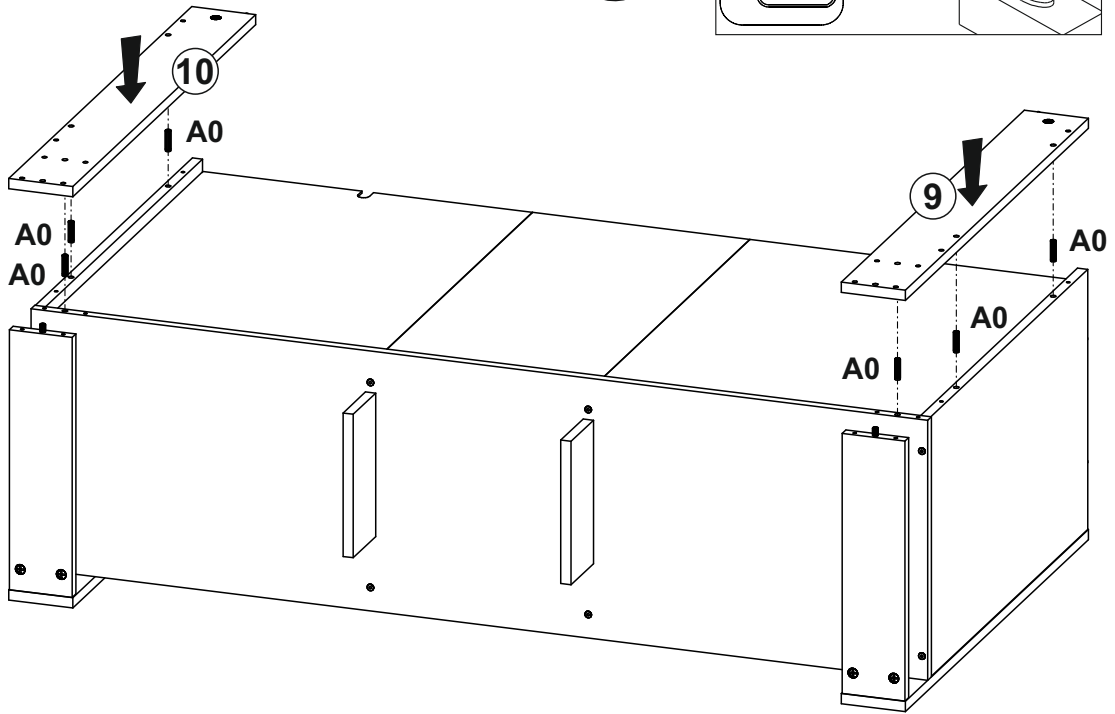


10

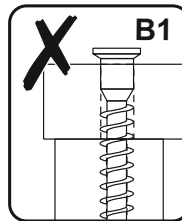
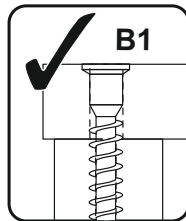
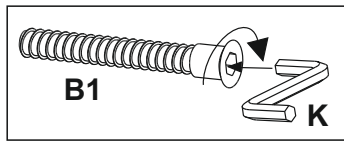



A0


ø8x30
x6




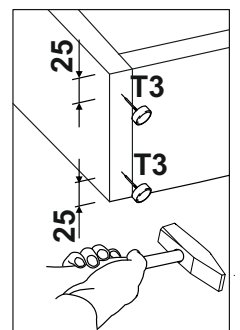
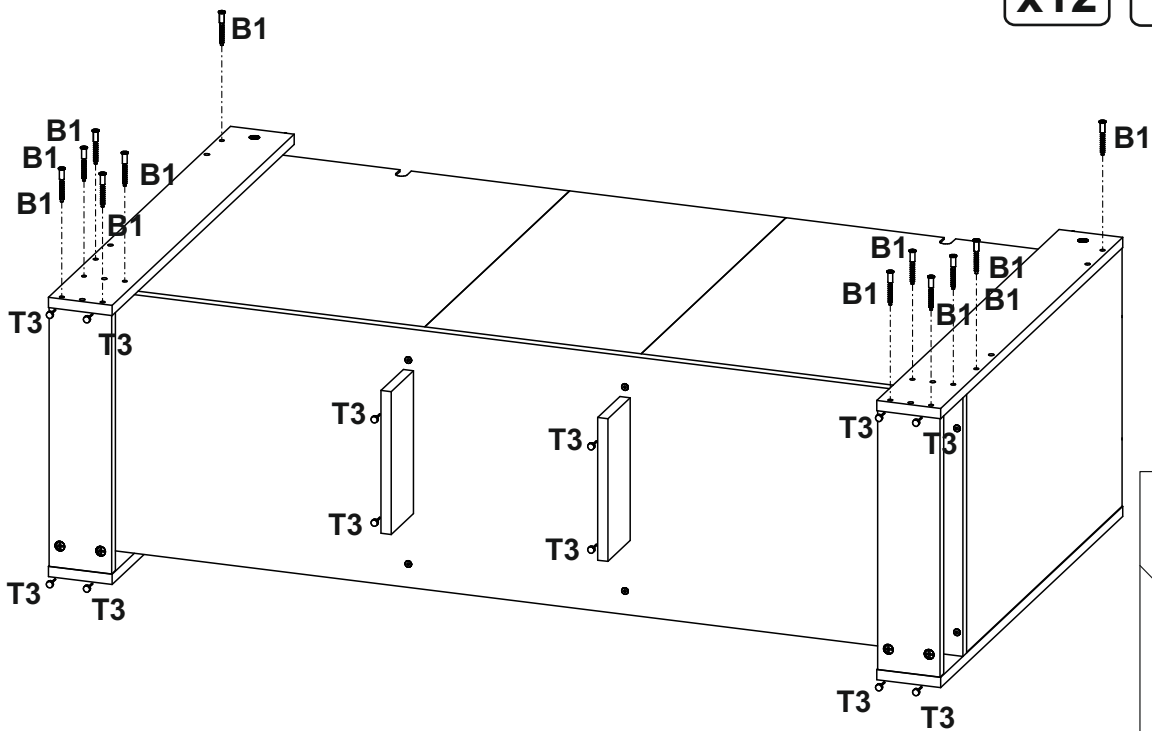
11



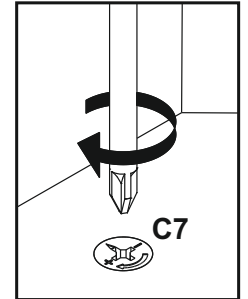
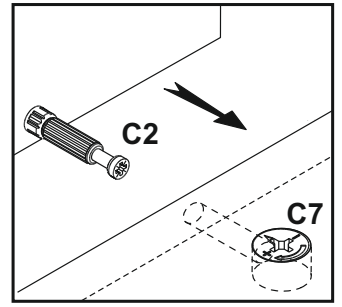
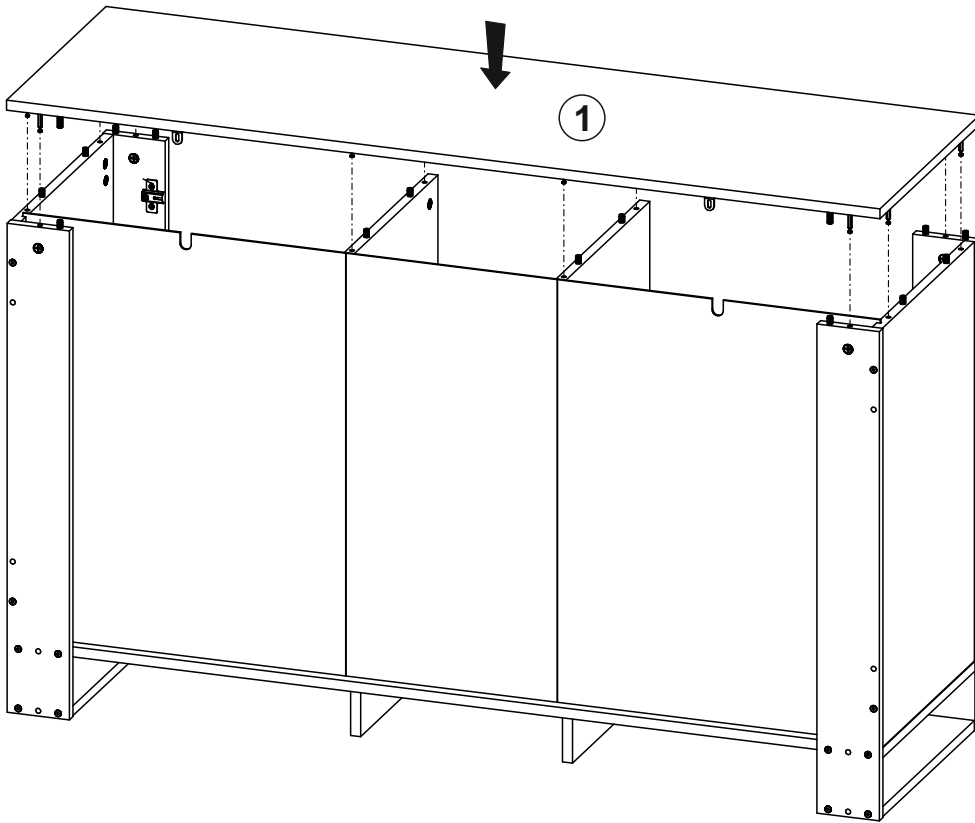
B1

ø7x50
x12

K

4mm
x1

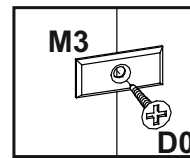
T3

x12






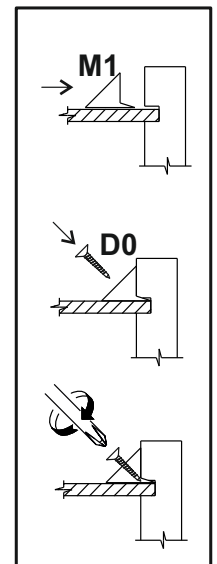
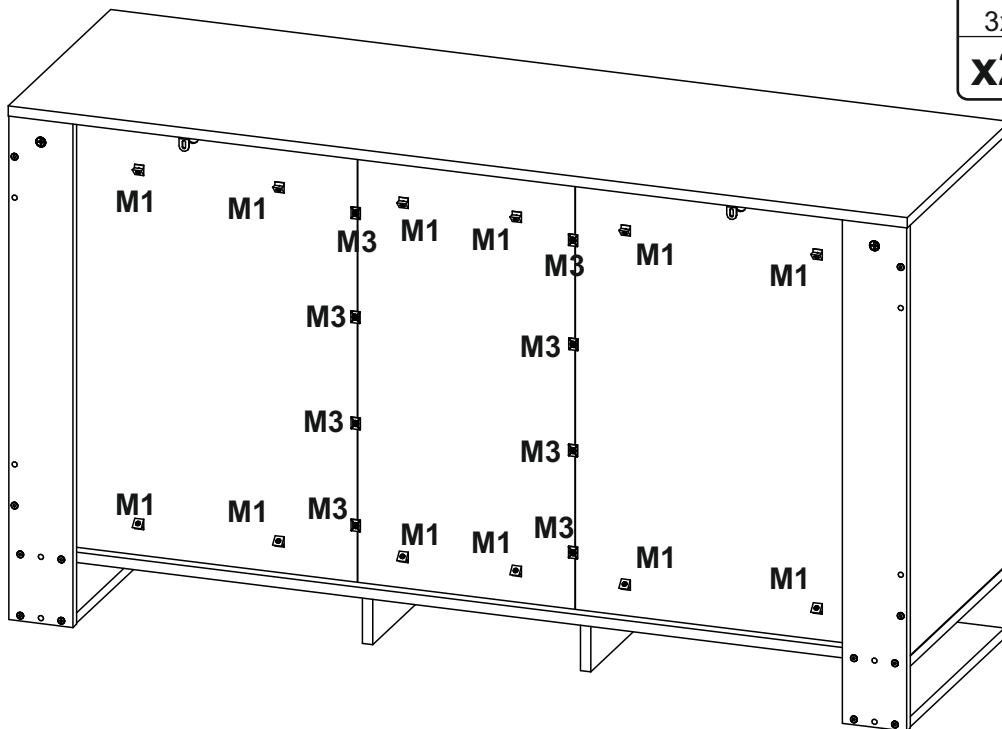
12

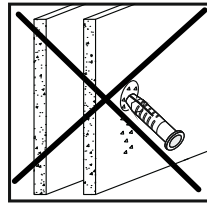
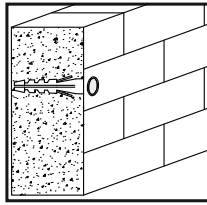


13



(D0)	(M1)	(M3)
		
3x15		
x20	x12	x8

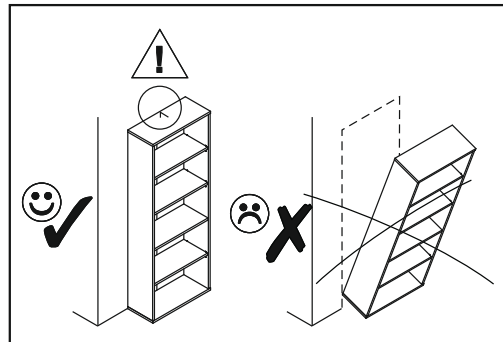
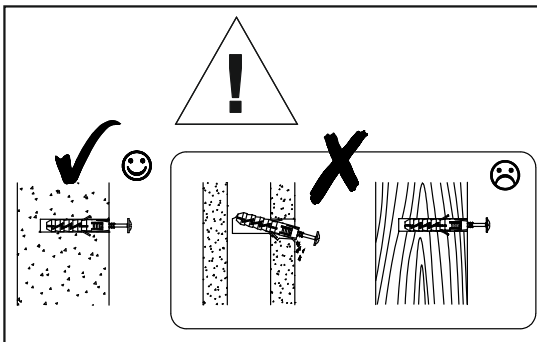
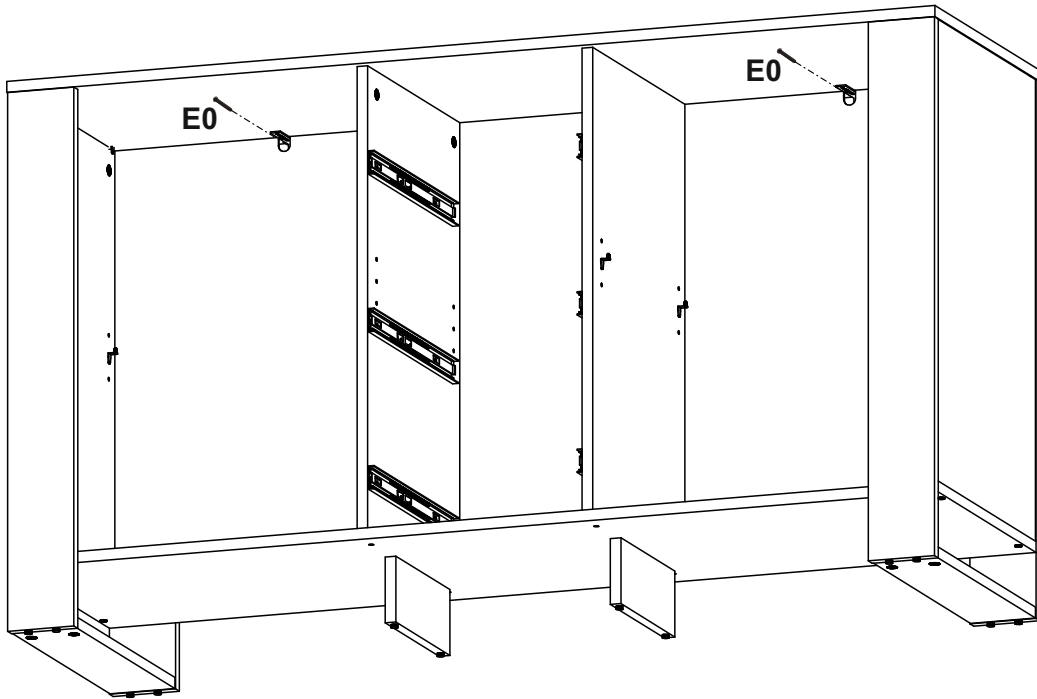
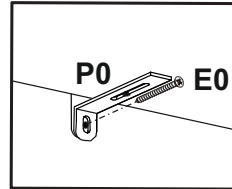
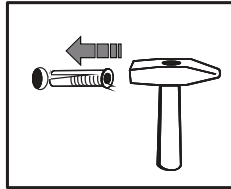
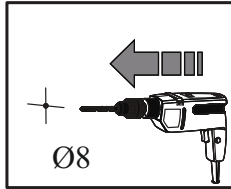
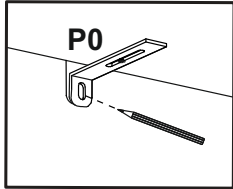




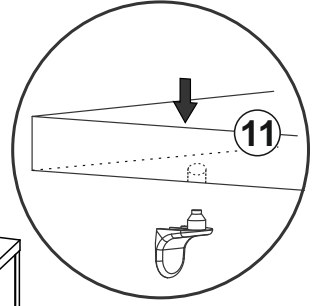
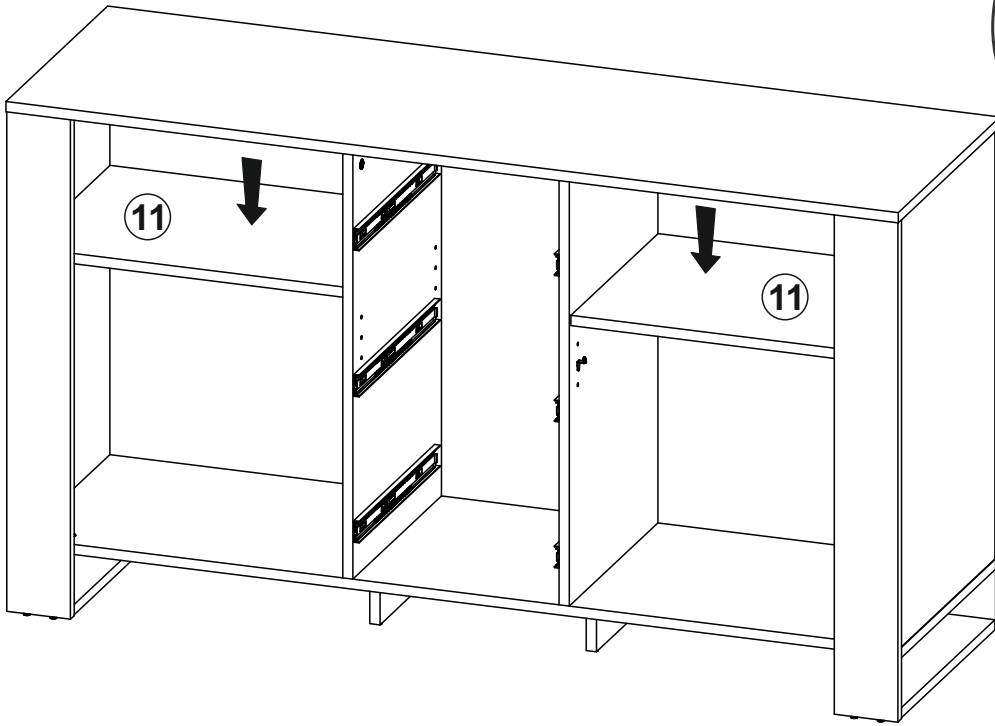
E0

8x50

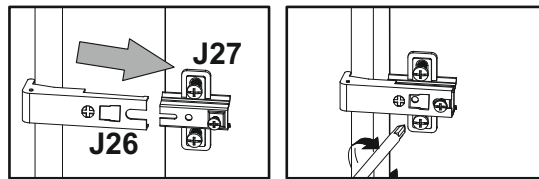
x2






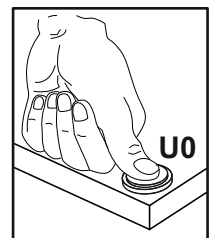
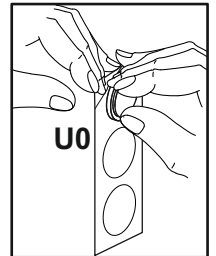
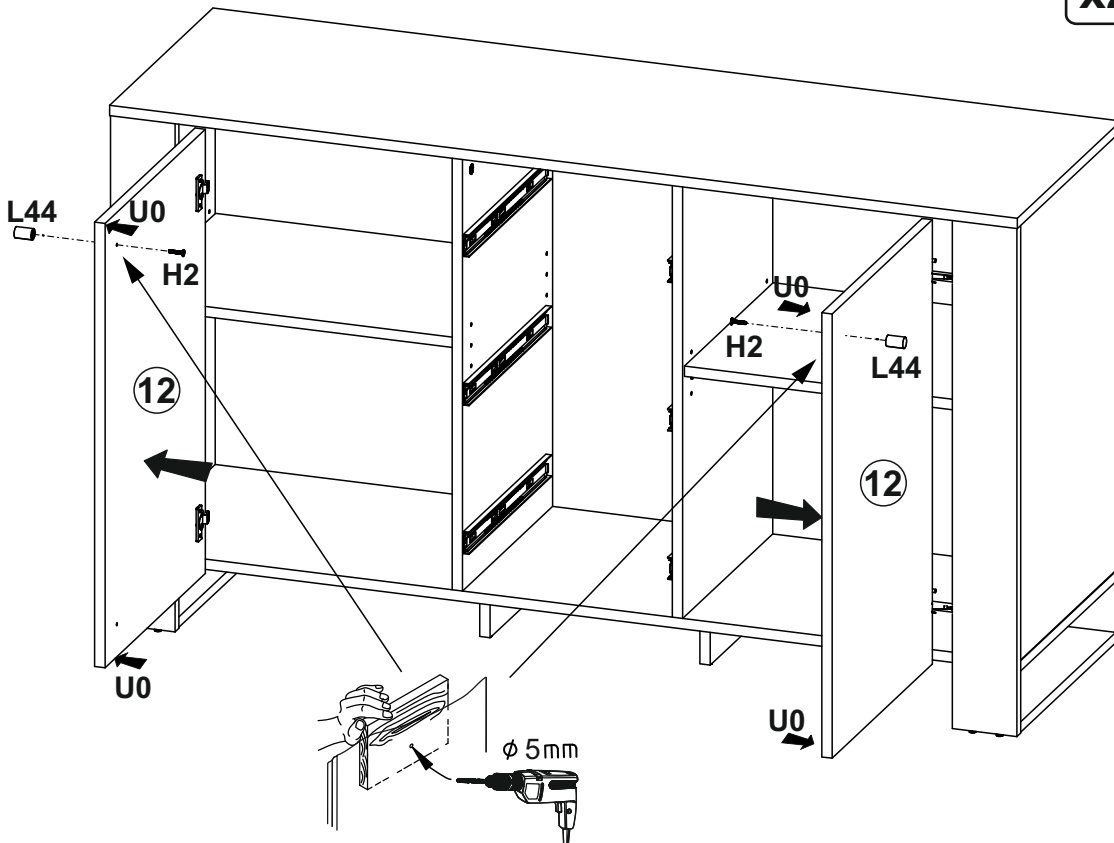
15



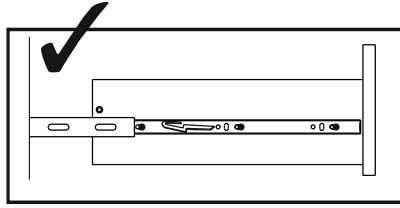
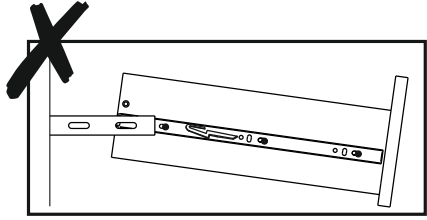
16





H2	L44	U0
		
4x22		
x2	x2	x4



17



C0	C0
	
x26	x2

